

Aero

AE2T01

Aero Two Way Diverter Valve Trim for Thermostatic with Metal Cross Handle



SHOWN IN AERO TWO WAY DIVERTER VALVE TRIM FOR THERMOSTATIC WITH METAL CROSS HANDLE | AE2T01

TECHNICAL DETAILS

ADA Compliance: Yes
Depth/Width: 79 mm
Handle Turn Angle: Quarter Turn Each Way
Height: 95 mm
Length: 95 mm

INSPIRATION

Inspired by the stepped detail of 19th century telescopes, Aero is a combination of historical reference with a contemporary temperament. The result is original and modern, bringing a look of updated elegance.

CODES & STANDARDS

ASME A112.18.1/CSA B125.1, State of MA

PRODUCT FEATURES

Metal cross handle

For use with a Thermostatic shower system and two waterway outlets such as a handshower, shower head, or tub spout

Features signature stepped and gadrooned details on escutcheon

Stocked in Chrome and Nickel

Requires valve rough sold separately

CERTIFICATIONS

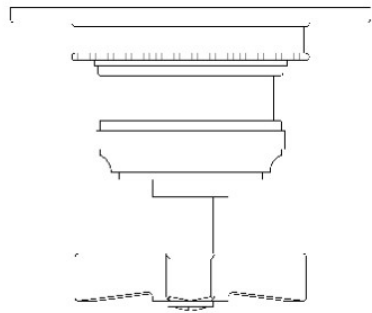


PRODUCT (NOTES)

Aero

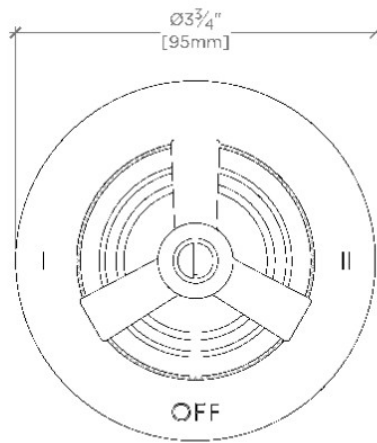
AE2T01

Aero Two Way Diverter Valve Trim for Thermostatic with Metal Cross Handle



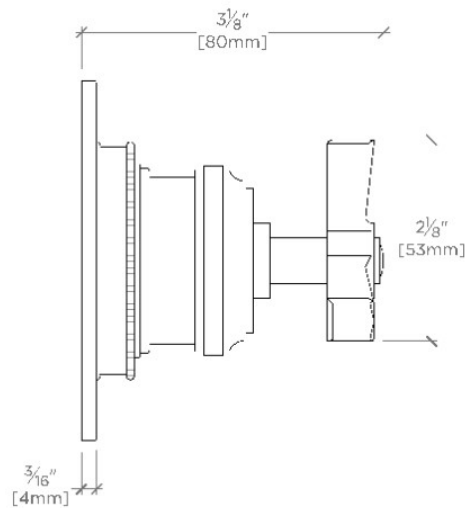
TOP VIEW

SCALE: 6"=1'-0"



FRONT VIEW

SCALE: 6"=1'-0"



SIDE VIEW

SCALE: 6"=1'-0"