

Highgate

HG2T10

Highgate Two Way Diverter Valve Trim for Thermostatic with Roman Numerals and Porcelain Lever Handle



SHOWN IN HIGHGATE TWO WAY DIVERTER VALVE TRIM FOR THERMOSTATIC WITH ROMAN NUMERALS AND PORCELAIN LEVER HANDLE | HG2T10

TECHNICAL DETAILS

ADA Compliance: Yes
Fittings Hole Diameter: 51 mm
Handle Turn Angle: Quarter Turn Each Way
Number Of Holes: One Hole
Primary Material: Brass

INSPIRATION

Our take on old English style: simple, functional shapes, detailed with white porcelain indices and hexagonal accents for a timeless feel.

CODES & STANDARDS

HG2T10X, ASME A112.18.1/CSA B125.1

PRODUCT FEATURES

Lever Handle

For Use With a Thermostatic Shower System and Two Waterway Outlets

Features Roman Numerals Representing Outlet Position

Stocked in Chrome, Nickel, Brass

Requires Rough Valve, Sold Separately: GUDV2T (US) GU2TDV (UK)

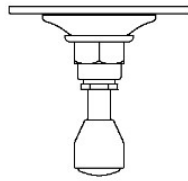
CERTIFICATIONS

PRODUCT (NOTES)

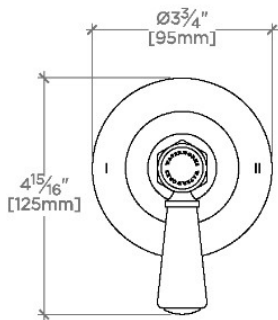
Highgate

HG2T10

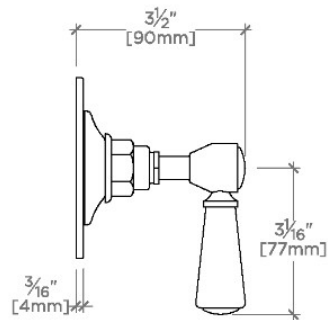
Highgate Two Way Diverter Valve Trim for Thermostatic with Roman Numerals and Porcelain Lever Handle



TOP VIEW SCALE: 3"=1'-0"



FRONT VIEW SCALE: 3"=1'-0"



SIDE VIEW SCALE: 3"=1'-0"