

## AERO

## AEXT50

Aero Deck Mounted Exposed Tub Filler with Metal Handshower and Lever Handles



SHOWN IN AERO DECK MOUNTED EXPOSED TUB FILLER WITH METAL HANDSHOWER AND LEVER HANDLES | AEXT50

### TECHNICAL DETAILS

ADA Compliance: No  
 Adjustable Versus Fixed Spray: Adjustable Spray  
 Deck Thickness Maximum: 1 13/16"  
 Deck Thickness Minimum: 1/4"  
 Depth/Width: 11 3/8"  
 Handle Spread Maximum: 6"  
 Handle Spread Minimum: 6"  
 Handle Turn Angle: Quarter Turn  
 Handshower Spray Hose Length: 59"  
 Height: 18 5/16"  
 Inlet Connection Size: 3/4"  
 Inlet Connection Type: Male NPT  
 Length: 11 7/16"  
 Spray Included In Unit: Y  
 Valve Material: Ceramic  
 Water Pressure Maximum: 85.0 psi  
 Water Pressure Minimum: 25.0 psi  
 Water Pressure Recommended: 45.0 psi

### INSPIRATION

Inspired by the stepped detail of 19th century telescopes, Aero is a combination of historical reference with a contemporary temperament. The result is original and modern, bringing a look of updated elegance.

### CODES & STANDARDS

CEC, State of MA

### PRODUCT FEATURES

Metal lever handles

Diverter button allows bather to move water from spout to handshower with a 2" head and adjustable spray

Features signature stepped and gadrooned details on escutcheons and edge of spout

Stocked in Chrome and Nickel

Unrestricted flow for tub spout. Stocked in 2.5gpm (9.5L/min) flow rate for handshower. Alternate flow regulation of 1.75gpm (6.6/min) also available as special order

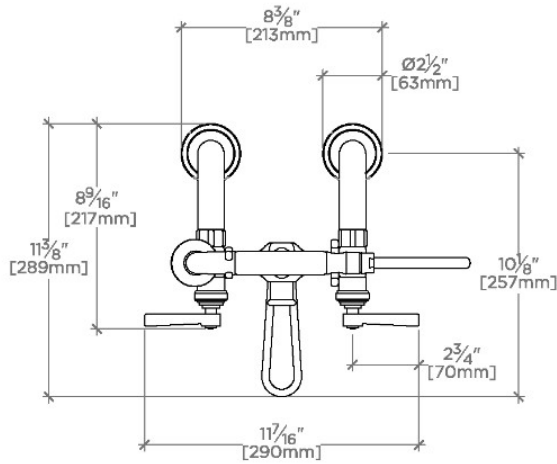
### CERTIFICATIONS

### PRODUCT (NOTES)

## AERO

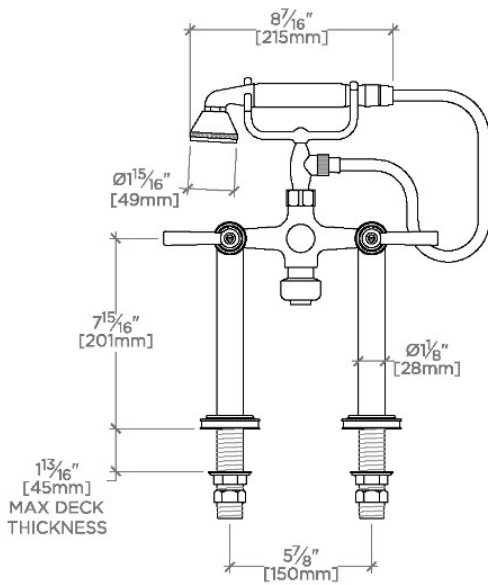
## AEXT50

Aero Deck Mounted Exposed Tub Filler with Metal Handshower and Lever Handles



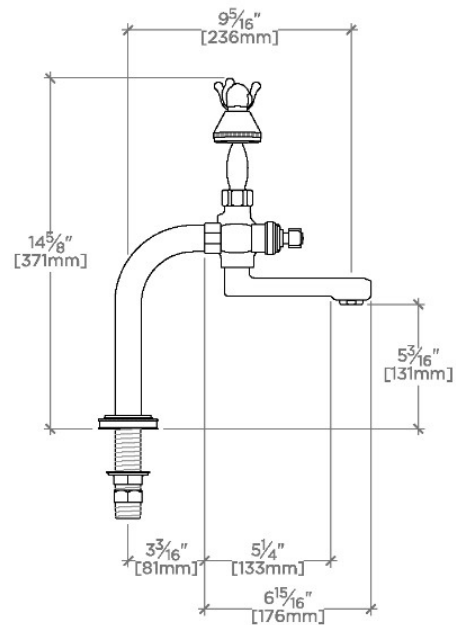
TOP VIEW

SCALE: 1/2"=1'-0"



FRONT VIEW

SCALE: 1/2"=1'-0"



SIDE VIEW

SCALE: 1/2"=1'-0"