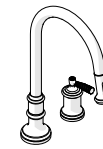


INSTALLATION GUIDELINES

IMPORTANT

- To ensure this product is installed properly, you must read and follow these guidelines.
- The owner/user of this product must keep this information for future reference.
- This product must be installed by a professional licensed contractor.
- Be sure your installation conforms to federal, state, and local codes. In the State of Massachusetts, all installations must comply with the rules and regulations set forth within 248 CMR.
- Inspect this product to ensure you have all the parts required for proper installation. Product is sold partially assembled but shown fully disassembled for illustrative and service purposes only.
- Use only a strap wrench or protected/smooth-jaw wrench on any finished surface.
- The use of certain plumber's putty may stain stone or tile surfaces.
- If further assistance is required, please contact Product Support at 1-800-927-2120 Monday through Friday, 8am - 6pm EST.
- Refer to the separate Service Parts Documents for available replacement parts.



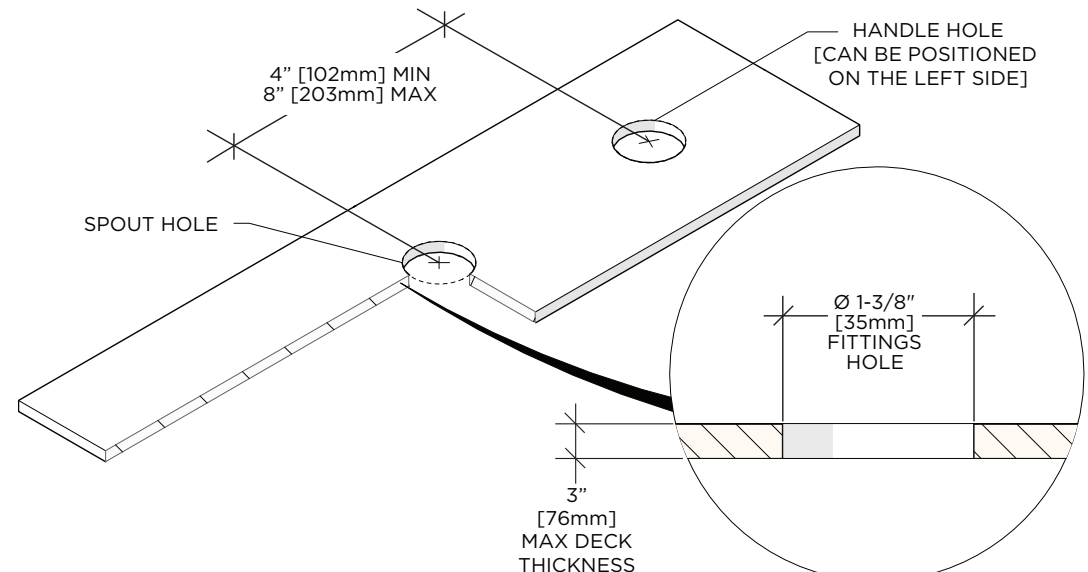
STYLE No. FRKM70, FR70KM

Foro Two Hole Gooseneck Kitchen Faucet with Metal Lever Handle & Pull-Down Spray

TECHNICAL DETAILS

DETAIL	SPECIFICATION
ADJUSTABLE VERSUS FIXED SPRAY	ADJUSTABLE
HANDLE TURN ANGLE	TILT AND TURN
INLET CONNECTION TYPE	3/8" COMPRESSION CONNECTOR HOSES †
SPOUT REACH	10" [254mm]
SPOUT SWIVEL	YES
SPRAY HOSE LENGTH	49" [1.25m]
SPRAY INCLUDED	YES
WATER PRESSURE RANGE	20psi [1.5 bar] MIN 85psi [6.0 bar] MAX
WATER PRESSURE RECOMMENDED	45psi [3.0 bar]

† UK Style No. **FR70KM** is supplied with 2 BSPP adapters, assembly required.

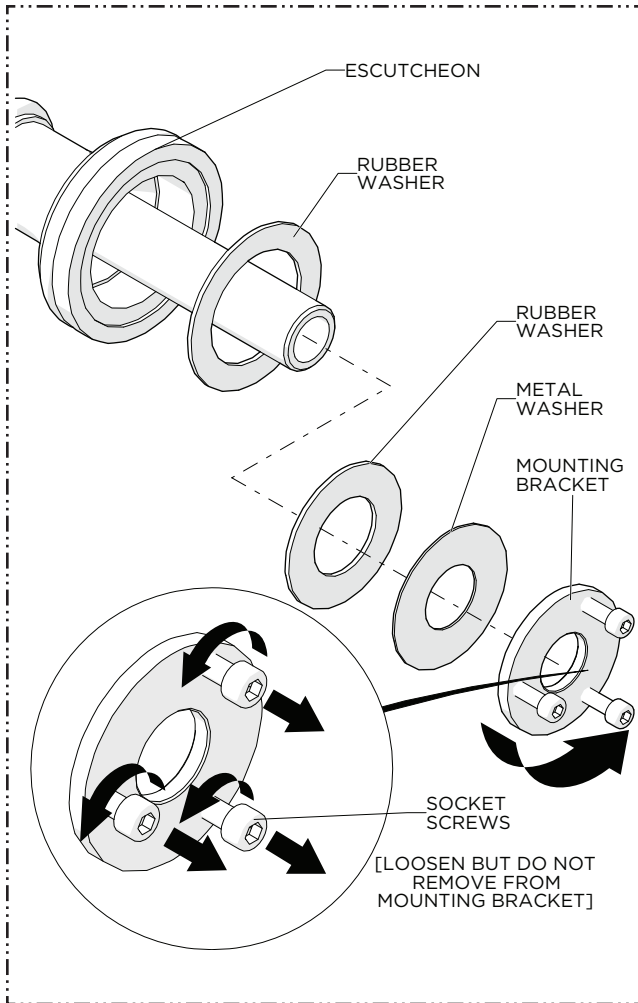


INSTALLATION GUIDELINES



STYLE No. FRKM70, FR70KM

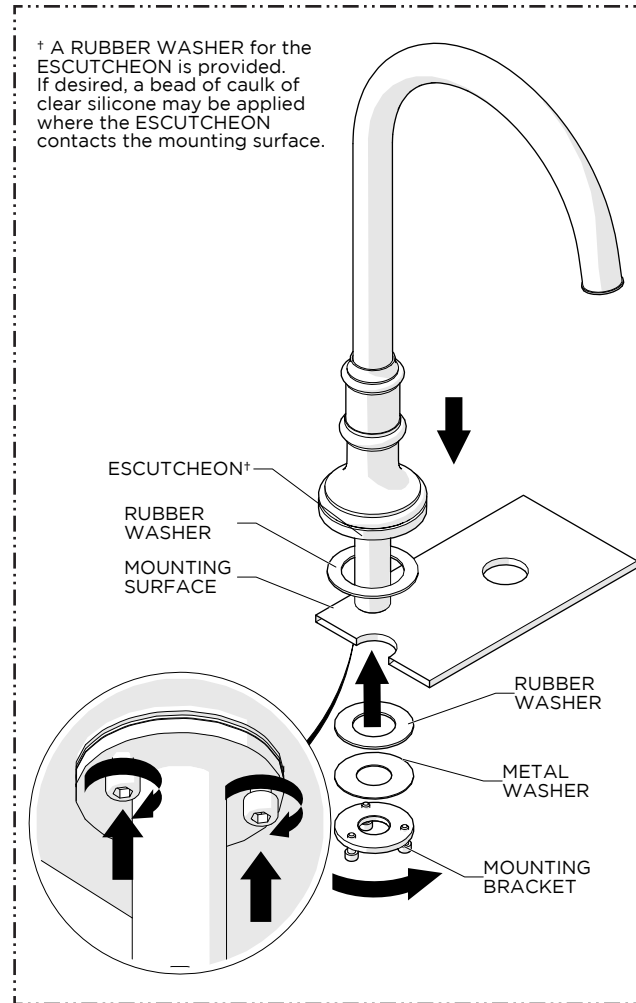
Foro Two Hole Gooseneck Kitchen Faucet with Metal Lever Handle & Pull-Down Spray



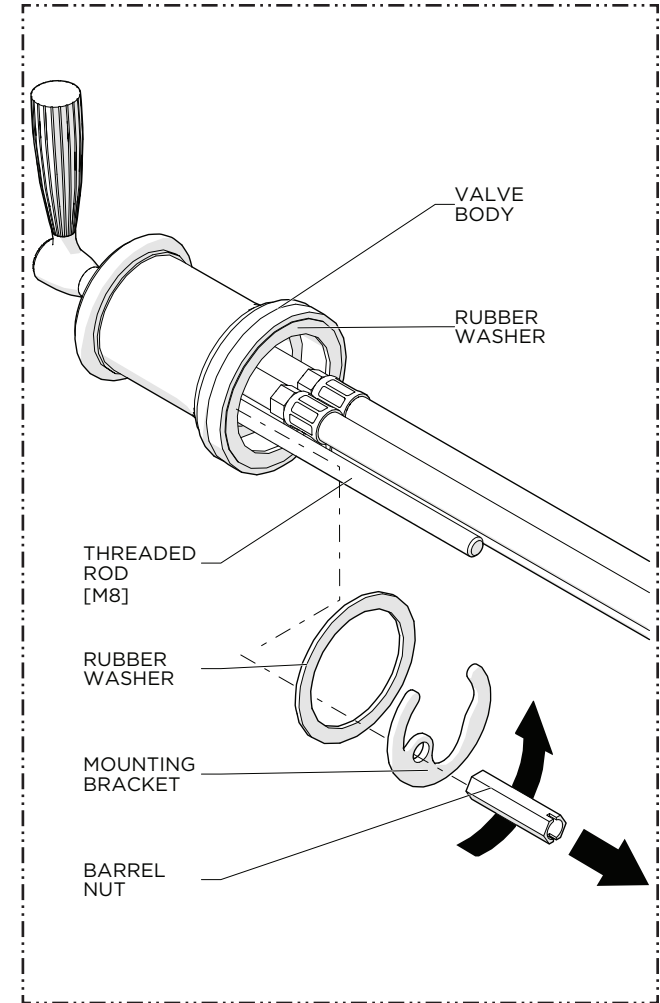
INSTALLING THE SPOUT

1. Unthread and remove the MOUNTING BRACKET, and RUBBER and METAL WASHERS from the SPOUT, leaving one RUBBER WASHER below the ESCUTCHEON, and the SOCKET SCREWS on the BRACKET.

NOTE: Loosen SCREWS on MOUNTING BRACKET to allow for tightening later.



2. Insert the SPOUT through the hole on the mounting surface ensuring the RUBBER WASHER provided is beneath the ESCUTCHEON then attach the RUBBER and METAL WASHERS and securely thread on the MOUNTING BRACKET. Tighten the SOCKET SCREWS using a 5mm HEX KEY to firmly hold the SPOUT to the mounting surface.



INSTALLING THE HANDLE

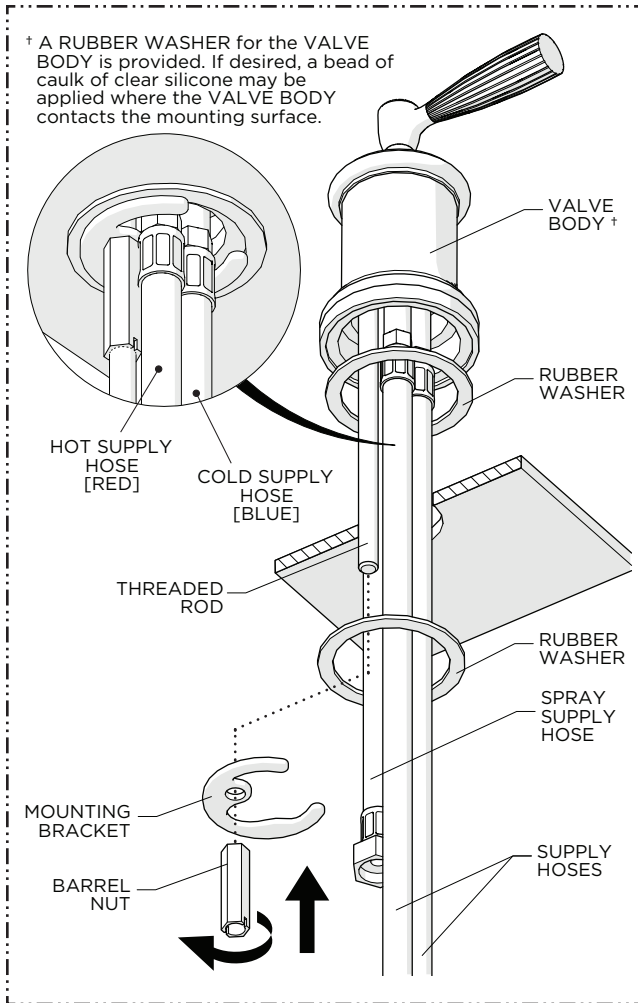
3. Remove the BARREL NUT from the THREADED ROD then remove the MOUNTING BRACKET and RUBBER WASHER, leaving one RUBBER WASHER below the VALVE BODY.

INSTALLATION GUIDELINES



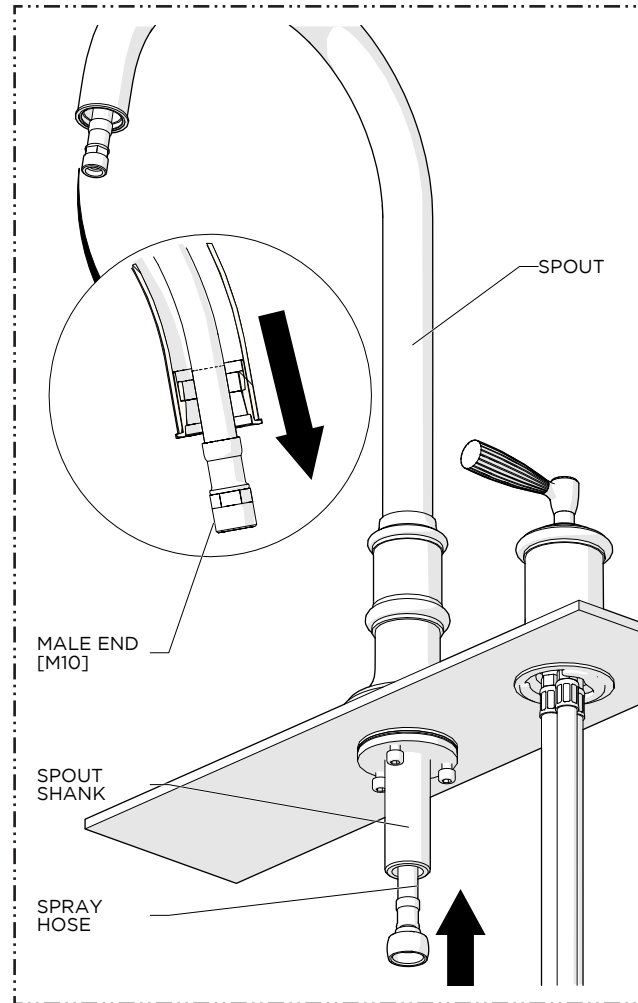
STYLE No. FRKM70, FR70KM

Foro Two Hole Gooseneck Kitchen Faucet with Metal Lever Handle & Pull-Down Spray

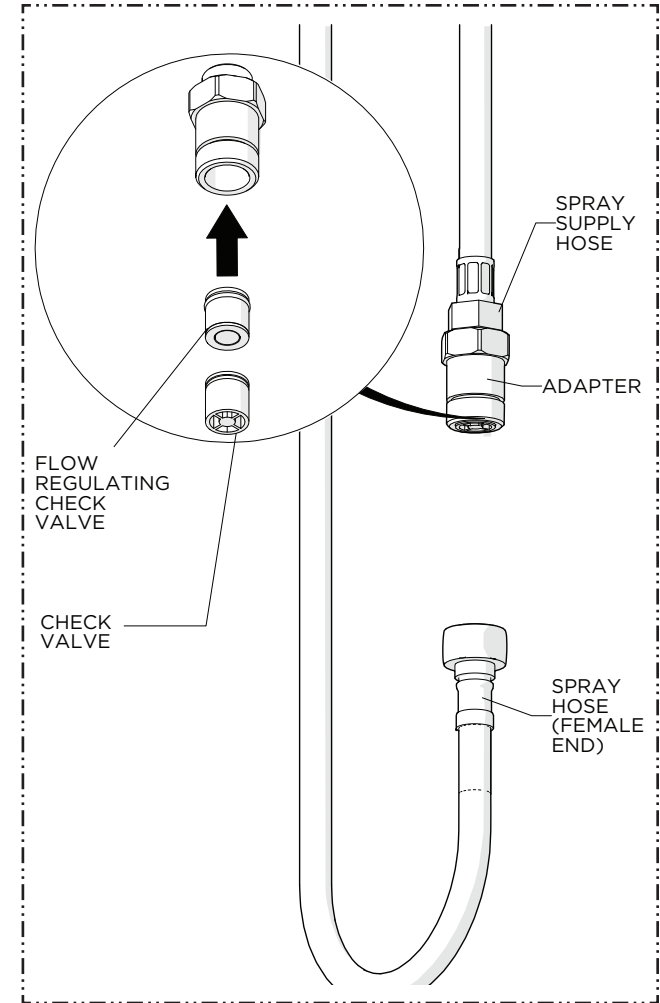


4. Insert the SUPPLY HOSES through the hole on the mounting surface ensuring the RUBBER WASHER provided is beneath the VALVE BODY. Slide the RUBBER WASHER over the HOSES and THREADED ROD then attach the MOUNTING BRACKET and BARREL NUT onto the THREADED ROD. Ensure the HANDLE is in the desired orientation then securely tighten the NUT to firmly hold the VALVE BODY to the mounting surface.

NOTE: The SUPPLY HOSES are marked BLUE for cold and RED for hot.



5. Insert the MALE END of the SPRAY HOSE through the bottom of the SPOUT SHANK until it protrudes from the end of the SPOUT.



6. Thread and securely tighten the FEMALE END of the SPRAY HOSE to the SPRAY SUPPLY HOSE on the VALVE BODY. The SPRAY SUPPLY HOSE is fitted with a 9/16" MALE x 1/2" MALE ADAPTER.

NOTE: A FLOW REGULATING CHECK VALVE and CHECK VALVE are located inside the ADAPTER.

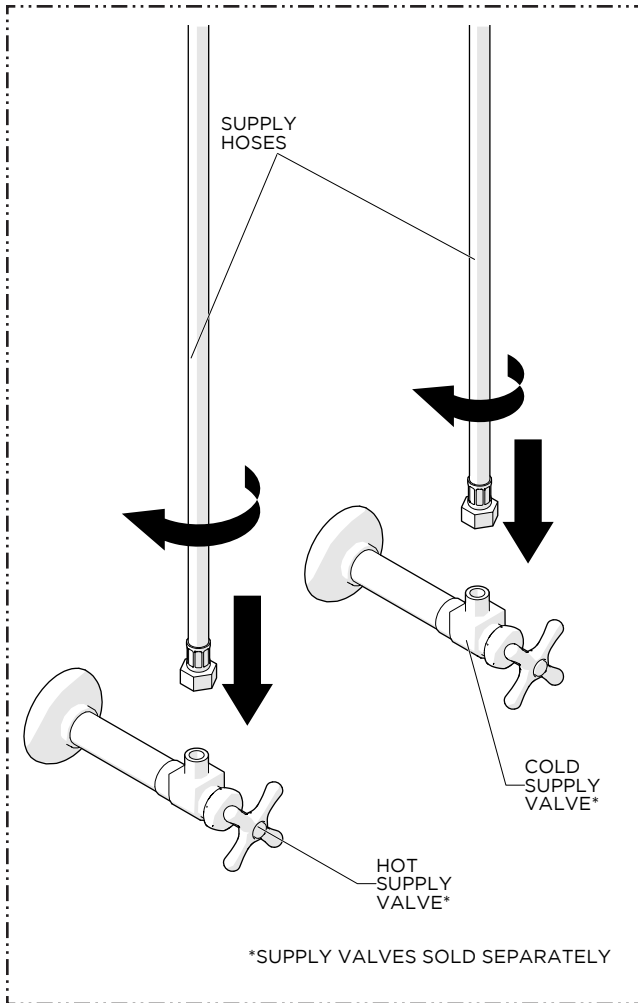
WATERWORKS

INSTALLATION GUIDELINES



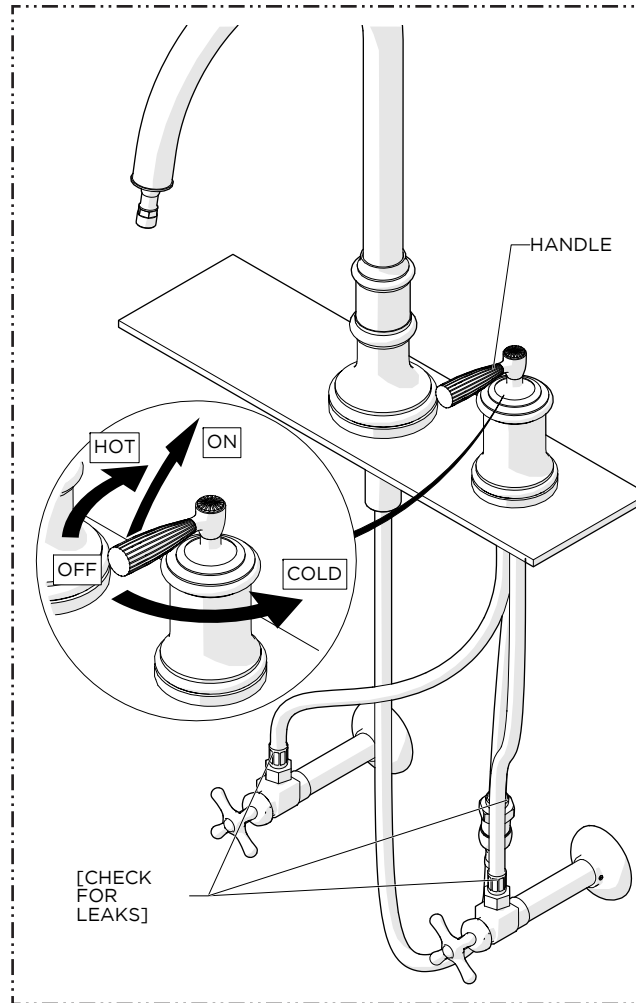
STYLE No. FRKM70, FR70KM

Foro Two Hole Gooseneck Kitchen Faucet with Metal Lever Handle & Pull-Down Spray



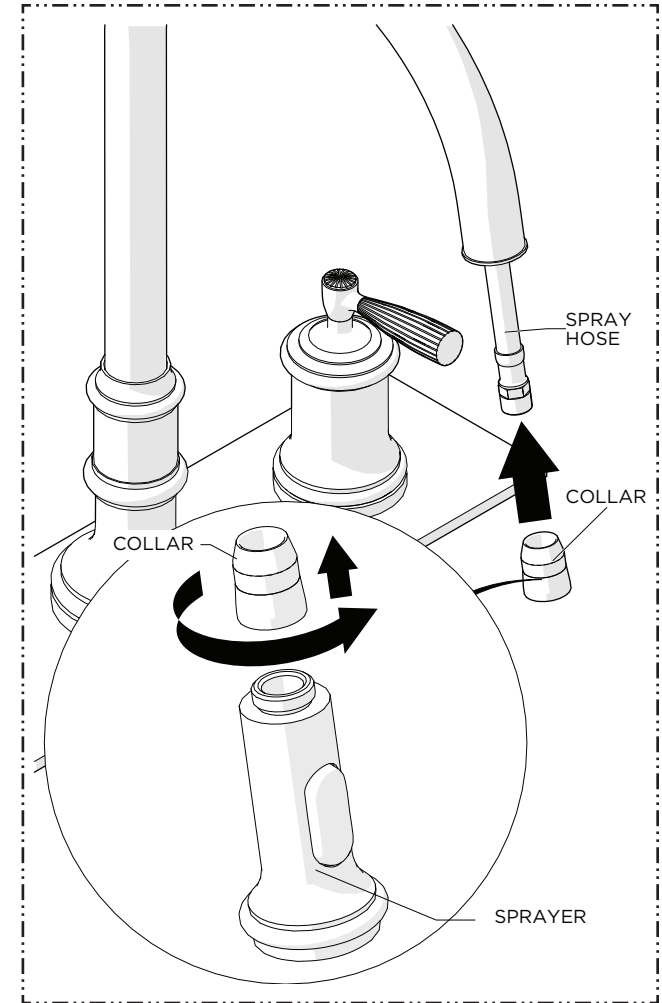
7. Connect the HOT and COLD SUPPLY HOSES already threaded to the VALVE BODY to the SUPPLY VALVES [sold separately].

NOTE: The SUPPLY HOSES are marked blue for cold and red for hot.



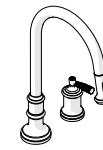
8. Turn on the water supply and operate the HANDLE to flush out any debris in the supply lines and ensure it operates and functions properly. Check all connections for leaks then turn off the water.

NOTE: Flush out the supply lines prior to installing the SPRAYER.



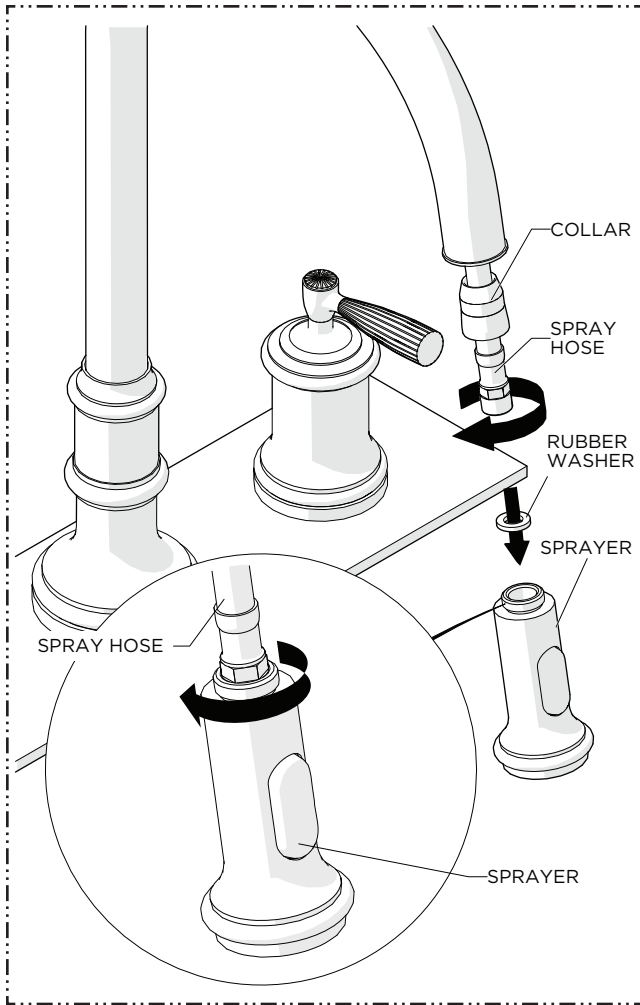
9. Unthread and remove the COLLAR from the SPRAYER, then insert the SPRAY HOSE through the COLLAR.

INSTALLATION GUIDELINES

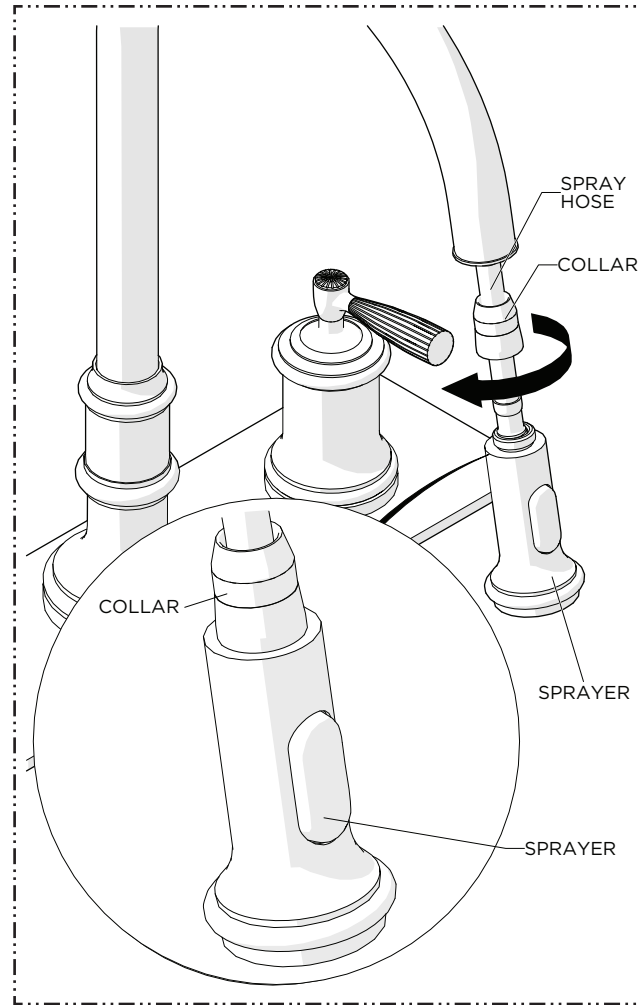


STYLE No. FRKM70, FR70KM

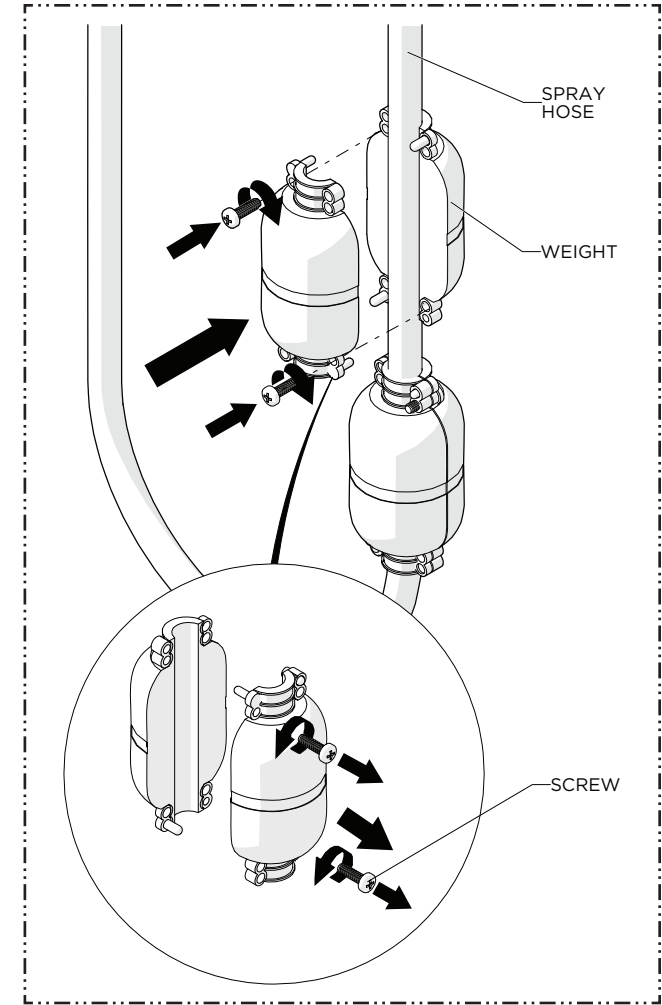
Foro Two Hole Gooseneck Kitchen Faucet with Metal Lever Handle & Pull-Down Spray



10. Thread and securely tighten the SPRAY HOSE into the SPRAYER making sure to use the RUBBER WASHER provided.



11. Thread and securely tighten the COLLAR back onto the SPRAYER.



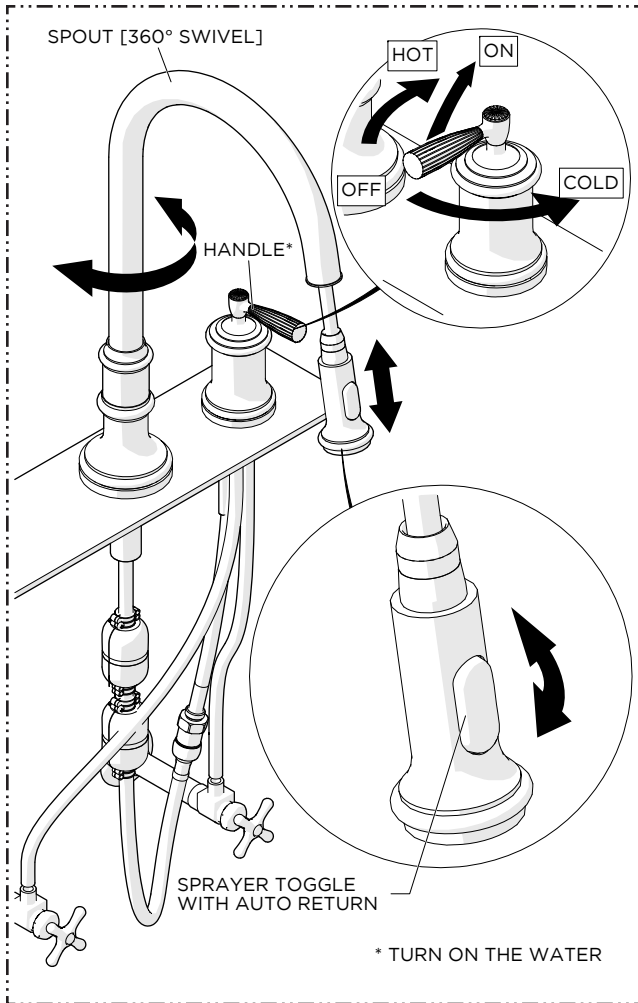
12. Remove the SCREWS on the WEIGHT using a Phillips head screwdriver and separate the two parts then place around the SPRAY HOSE and re-attach the SCREWS to secure the WEIGHT in the desired position. Repeat for both weights.

INSTALLATION GUIDELINES

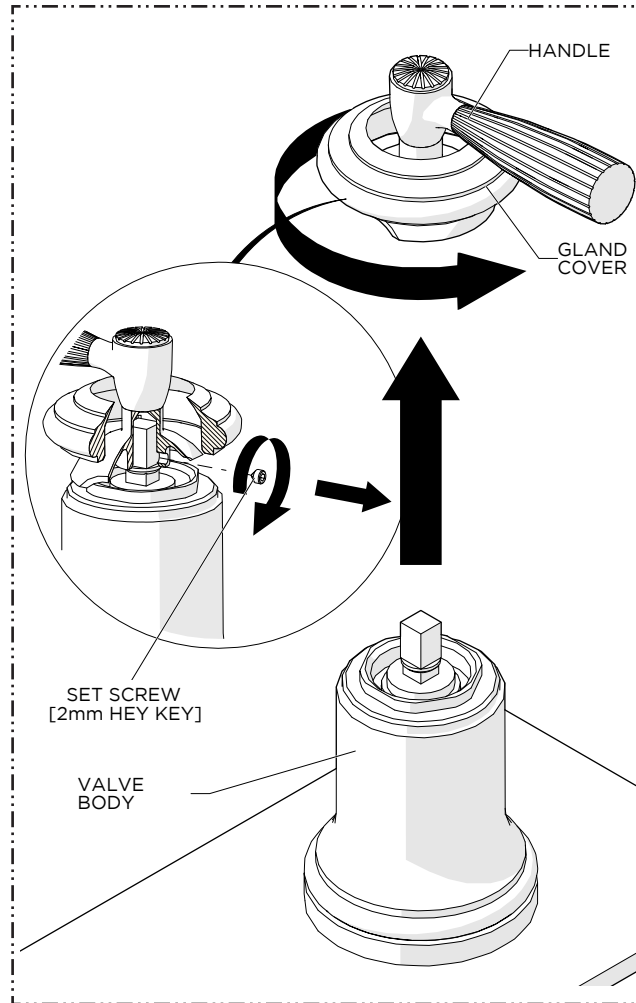


STYLE No. FRKM70, FR70KM

Foro Two Hole Gooseneck Kitchen Faucet with Metal Lever Handle & Pull-Down Spray

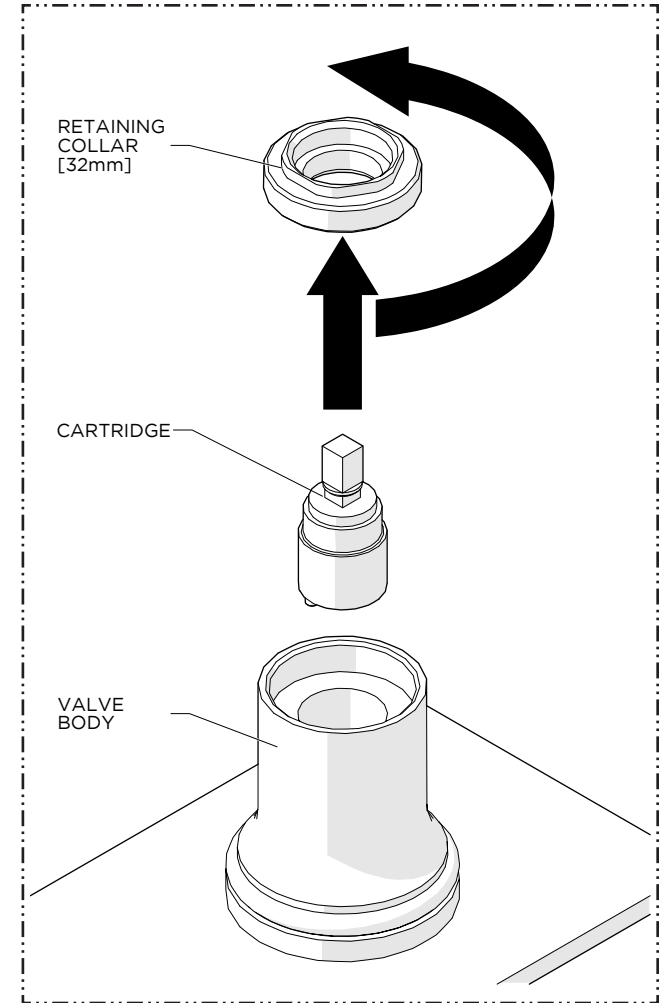


13. Turn on the water and operate the SPRAY TOGGLE to ensure it functions properly. Check that the SPRAY HOSE and WEIGHTS are free from obstruction so the HOSE can slide within the SPOUT. Adjust the position of the WEIGHTS if necessary.



SERVICING THE CARTRIDGE

1. Unthread and lift the GLAND COVER from the VALVE BODY to expose the SET SCREW behind the HANDLE HUB. Loosen the SET SCREW using a 2mm HEX KEY then remove the HANDLE.



2. Unthread and remove the RETAINING COLLAR then remove the CARTRIDGE.