

## FINOT

One Hole Lavatory Faucet

NLS420



SHOWN IN ONE HOLE LAVATORY FAUCET | NLS420

---

### TECHNICAL DETAILS

Water Pressure Maximum: 85.0 psi  
Water Pressure Minimum: 20.0 psi  
Water Pressure Recommended: 45.0 psi

---

### INSPIRATION

Finot seamlessly blends meticulous details with contemporary sensibility. A true integration of design and engineering expertise, this collection is comprised of parts that are decisively cast and forged to achieve painstaking precision and refinement.

---

### CODES & STANDARDS

---

### PRODUCT FEATURES

---

### CERTIFICATIONS

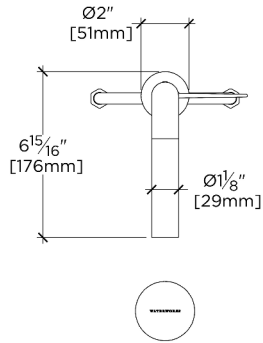
---

### PRODUCT (NOTES)

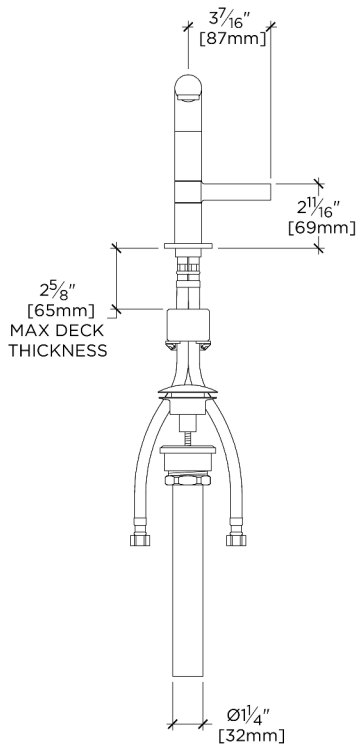
## FINOT

NLS420

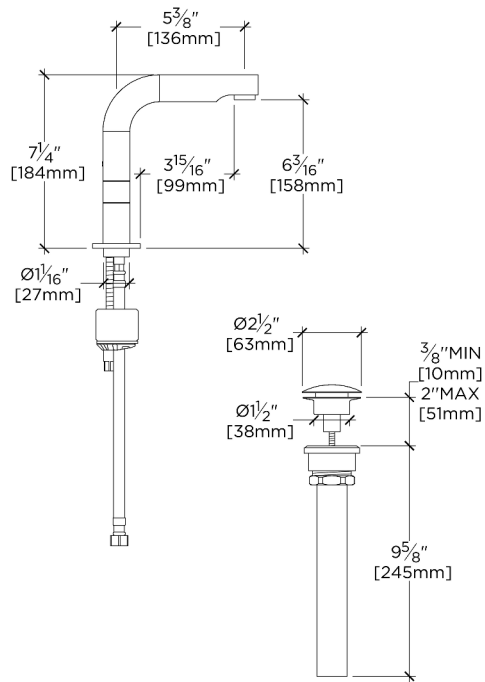
One Hole Lavatory Faucet



TOP VIEW SCALE: 1/2"=1'-0"



FRONT VIEW SCALE: 1/2"=1'-0"



SIDE VIEW SCALE: 1/2"=1'-0"