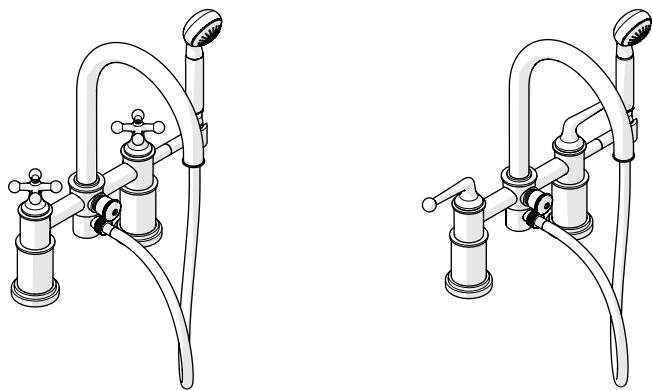


INSTALLATION GUIDELINES

DECK MOUNTED EXPOSED TUB FILLER

DASH DECK MOUNTED EXPOSED TUB FILLER WITH METAL HANDSHOWER AND CROSS OR LEVER HANDLES



STYLES

DSXT40

DSXT50

IMPORTANT:

- To ensure this product is installed properly, you must read and follow these guidelines.
- The owner/user of this product must keep this information for future reference.
- This product must be installed by a professional licensed contractor and must be on-site prior to rough-in. This allows the installer to visualize the installation and verify the 8" [203mm] on-center inlet supply spread. The inlet supply spread on this product is **NOT** adjustable.
- An access panel must be installed for servicing and installation.
- Check TUB measurements to assure the SPOUT projects far enough into the TUB.
- Run 3/4" SUPPLY LINES for **maximum** flow and install accessible **hot** and **cold** service stop valves to facilitate servicing.
- Anti-scald protection is the responsibility of the installer and according to applicable codes. Be sure your installation conforms to federal, state, and local codes. In the State of Massachusetts, all installations must comply with the rules and regulations set forth within 248 CMR.
- Inspect this product to ensure you have all the parts required for proper installation. Product is **sold partially** assembled but shown fully disassembled for illustrative and service purposes only.
- Use only a strap wrench or protected/smooth-jaw wrench on any finished surface.

- The use of certain plumber's putty may stain stone or tile surfaces.
- If further assistance is required, please contact Product Support at 1-800-927-2120 Monday through Friday, 8am - 6pm EST.
- Refer to the separate Service Parts Documents for available replacement parts.

TECHNICAL DETAILS:

DETAIL	SPECIFICATION
DIAMETER OF HEAD	Ø2-3/8" [60mm]
DECK THICKNESS	1-3/4" [44mm] MAXIMUM
FITTINGS HOLE DIAMETER	Ø1-1/8" [29mm]
HANDLE TURN ANGLE	QUARTER TURN
HANDSHOWER HOSE LENGTH	60" [1.5m]
INLET CONNECTION	3/4" MALE NPT †
INLET SUPPLY SPREAD	8" [203mm] [NOT ADJUSTABLE]
INTEGRATED DIVERTER	YES
PIVOT	YES [HANDSHOWER HOOK ONLY]
SPOUT REACH	8-5/16 [211mm]
CARTRIDGE VALVE MATERIAL	CERAMIC
WATER PRESSURE RANGE	20psi [1.5 bar] MINIMUM
	85psi [6.0 bar] MAXIMUM
WATER PRESSURE RECOMMENDED	45psi [3.0 bar]

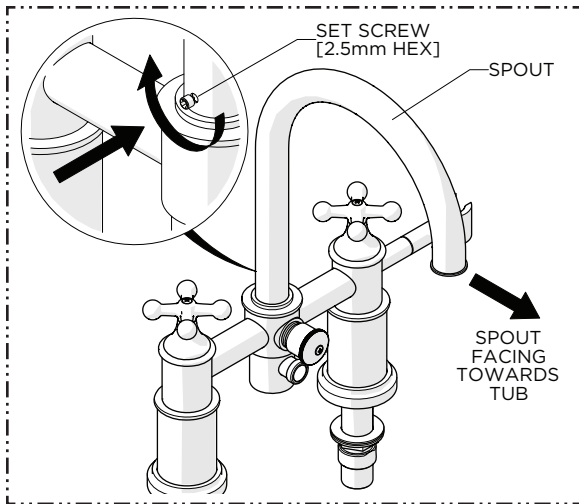
† For **INTERNATIONAL USE ONLY**, two 9/16" -24 UNEF MALE x 3/8" FEMALE BSPP ADAPTERS (STYLE No. UNUK08) and RUBBER WASHERS are provided.

ROUGH IN:

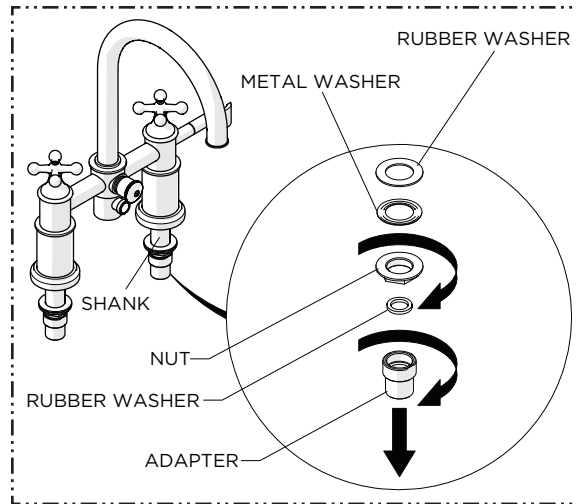
- Run well supported 3/4" **hot** and **cold** copper SUPPLY LINES for **maximum** water flow.
- The inlet supply spread is 8" [203mm] on-center and is **NOT** adjustable.

INSTALLATION GUIDELINES

DECK MOUNTED EXPOSED TUB FILLER

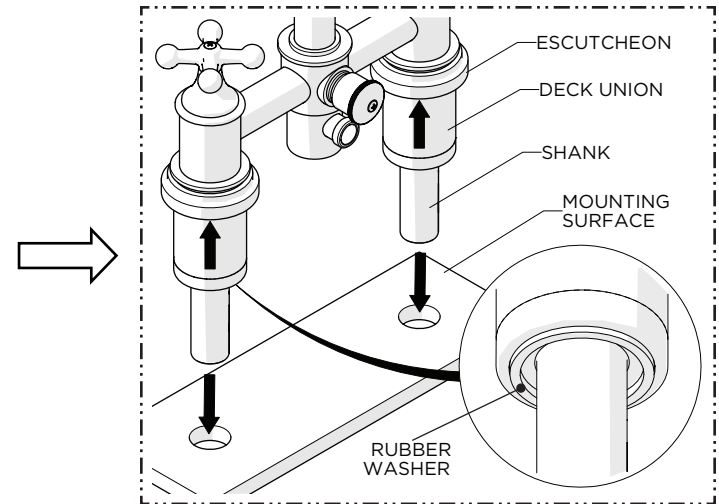


1. Align the SPOUT properly and securely tighten the SET SCREW at the base of the SPOUT using a 2.5mm HEX KEY.

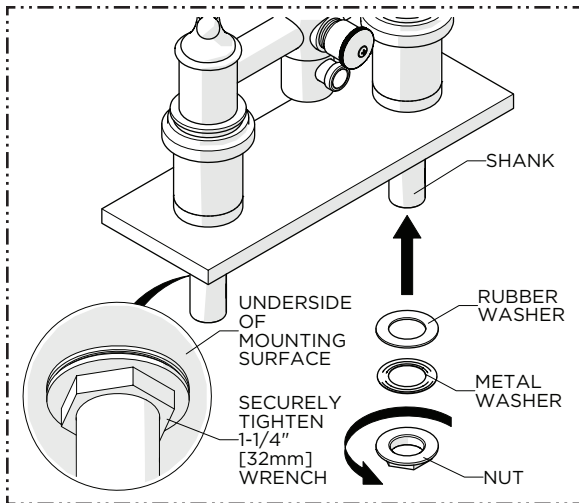


2. Remove the 3/4" NPT ADAPTER, NUT, and lower deck WASHERS from each SHANK.

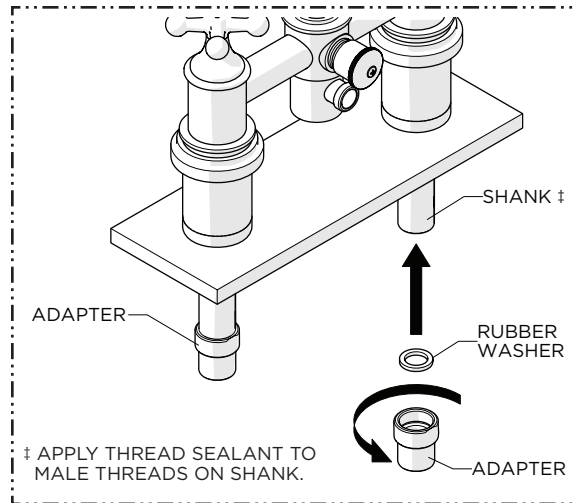
NOTE: Do **NOT** remove or discard the RUBBER WASHERS provided for the DECK UNIONS.



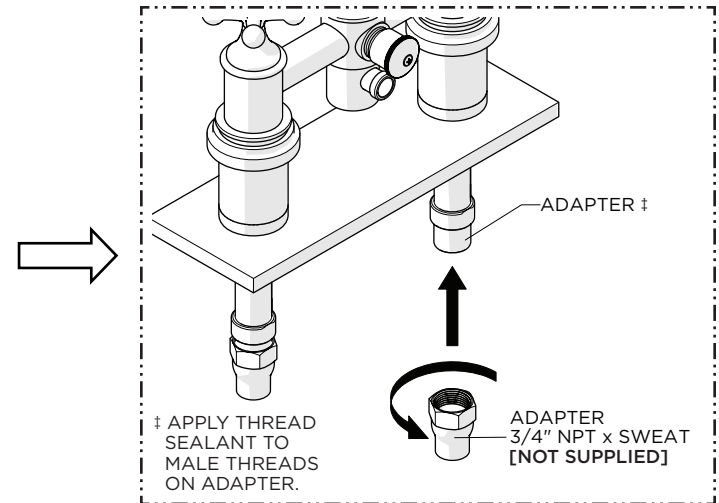
3. Slide the ESCUTCHEONS up the DECK UNIONS then insert the SHANKS into the holes on the MOUNTING SURFACE making sure to use the RUBBER WASHERS provided.



4. Re-install the lower deck WASHERS and NUT onto each SHANK then securely tighten the NUT against the underside of the MOUNTING SURFACE.



5. Apply thread sealant to the male threads on each SHANK then thread and securely tighten the NPT ADAPTERS onto them, making sure to use the RUBBER WASHERS provided.

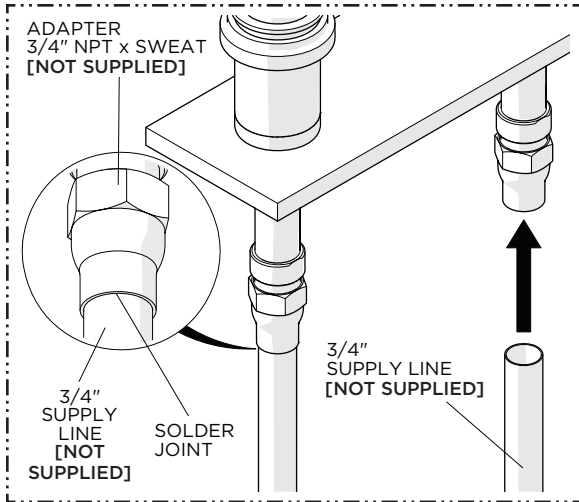


6. Apply thread sealant to the male threads on each NPT ADAPTER then thread and securely tighten 3/4" FEMALE NPT x SWEAT ADAPTERS (**NOT SUPPLIED**) onto them.

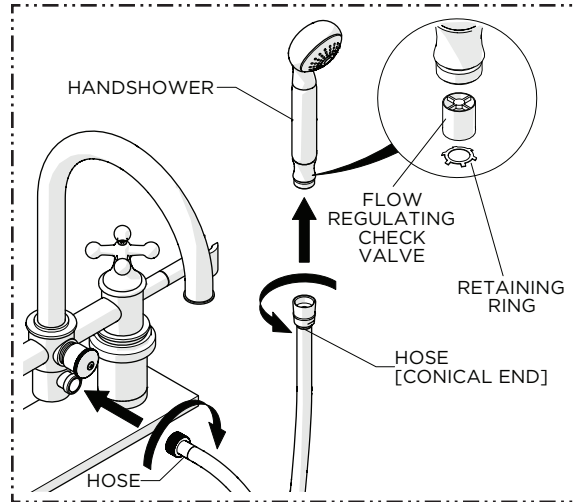
INSTALLATION GUIDELINES

DECK MOUNTED EXPOSED TUB FILLER

WATERWORKS

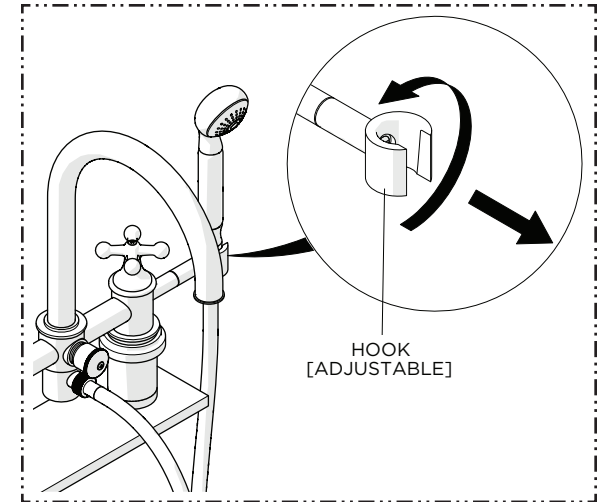


7. Adjust the length of each SUPPLY LINE as needed and complete final connections.



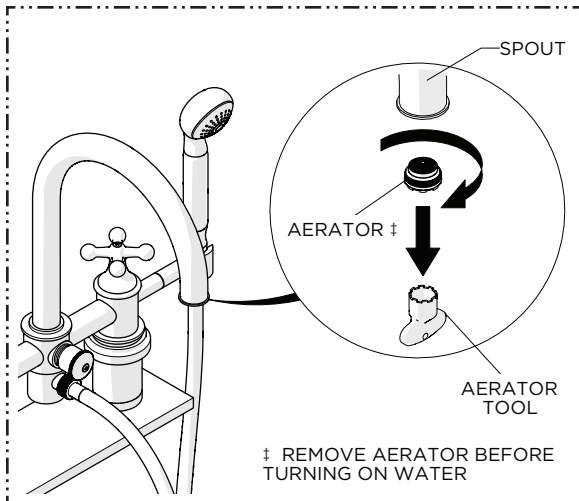
8. Connect the conical end of the HOSE to the HANDSHOWER then connect the HOSE to the bottom of the VALVE BODY.

NOTE: There is a FLOW REGULATING CHECK VALVE inside the inlet of the HANDSHOWER.

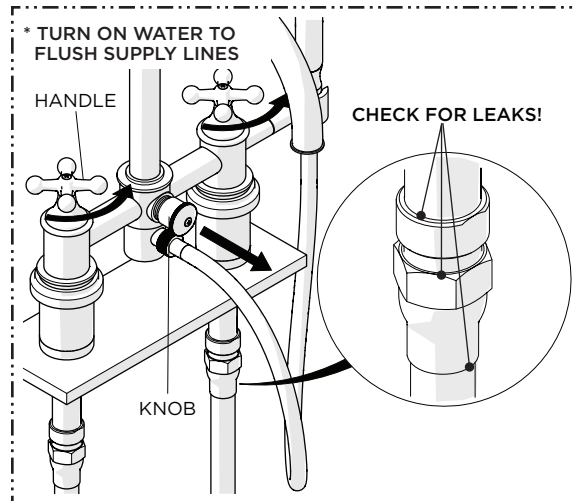


9. Place the HANDSHOWER on the HOOK and adjust the angle as needed.

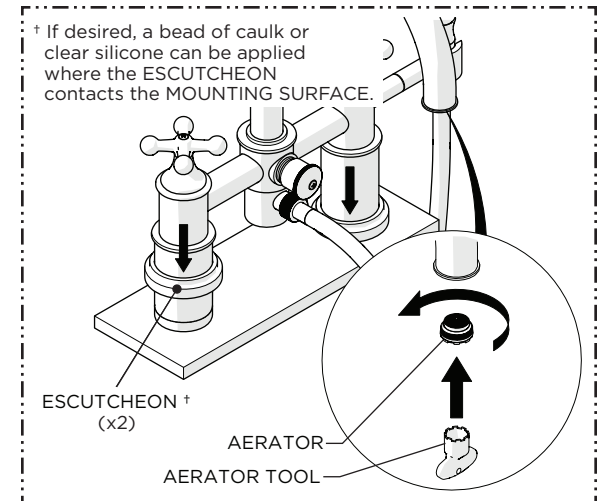
NOTE: The angle of the HOOK can be adjusted in 18° increments.



10. Remove the AERATOR using the TOOL provided BEFORE turning on the water and diverting water to the HANDSHOWER.



11. Turn on the water to flush out the SUPPLY LINES, operate the HANDLES and DIVERTER KNOB to ensure they function properly, and carefully inspect all connections for leaks then turn off the water.

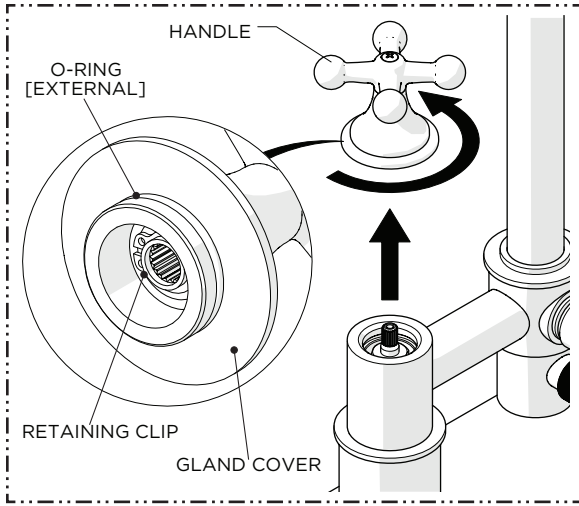


12. Re-install the AERATOR then slide the ESCUTCHEONS down the UNIONS until they contact the MOUNTING SURFACE.

SERVICE GUIDELINES

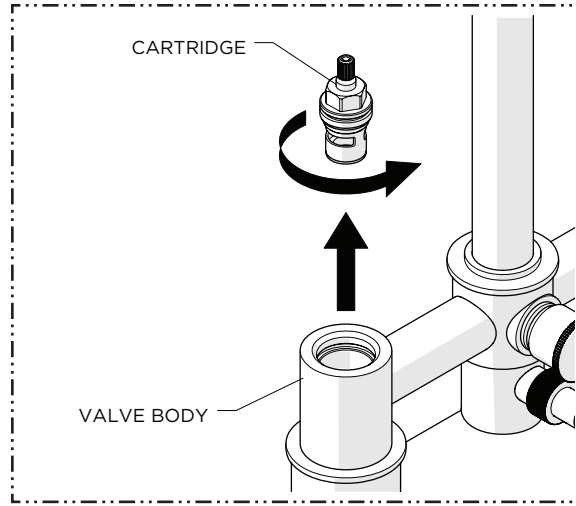
DECK MOUNTED EXPOSED TUB FILLER

WATERWORKS

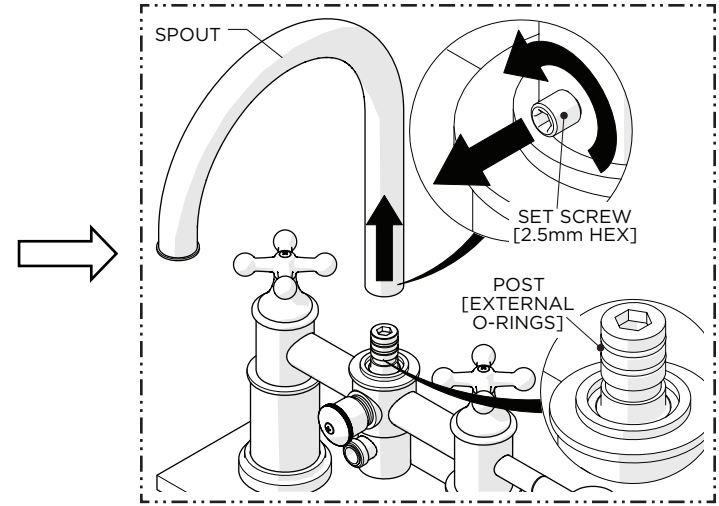


SERVICING THE CARTRIDGE:

1. Unthread the GLAND COVER and pull the HANDLE off to expose the CARTRIDGE.

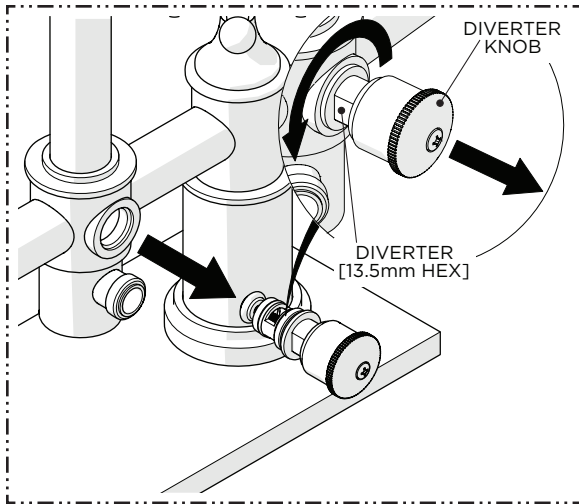


2. Unthread and remove the CARTRIDGE using a 21/32" [17mm] shower valve socket wrench (not provided).



SERVICING THE SPOUT:

3. Loosen but do **NOT** remove the SET SCREW at the base of the SPOUT then remove the SPOUT to expose the POST and external O-RINGS.



SERVICING THE DIVERTER:

4. Pull the DIVERTER KNOB to expose the DIVERTER NUT then unthread and remove the DIVERTER using a 13.5mm wrench.