

## AERO

AE2T01

Aero Two Way Diverter Valve Trim for Thermostatic with Metal Cross Handle



SHOWN IN AERO TWO WAY DIVERTER VALVE TRIM FOR THERMOSTATIC WITH METAL CROSS HANDLE | AE2T01

### TECHNICAL DETAILS

ADA Compliance: Yes  
Depth/Width: 3 1/8"  
Handle Turn Angle: Quarter Turn Each Way  
Height: 3 3/4"  
Length: 3 3/4"

### INSPIRATION

Inspired by the stepped detail of 19th century telescopes, Aero is a combination of historical reference with a contemporary temperament. The result is original and modern, bringing a look of updated elegance.

### CODES & STANDARDS

ASME A112.18.1/CSA B125.1, State of MA

### PRODUCT FEATURES

Metal cross handle

For use with a Thermostatic shower system and two waterway outlets such as a handshower, shower head, or tub spout

Features signature stepped and gadrooned details on escutcheon

Stocked in Chrome and Nickel

Requires valve rough sold separately

### CERTIFICATIONS

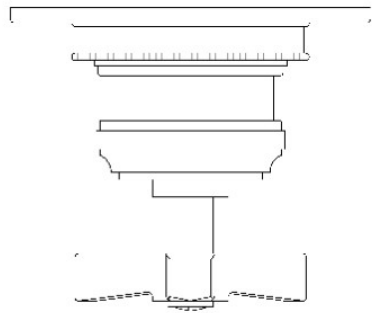


### PRODUCT (NOTES)

## AERO

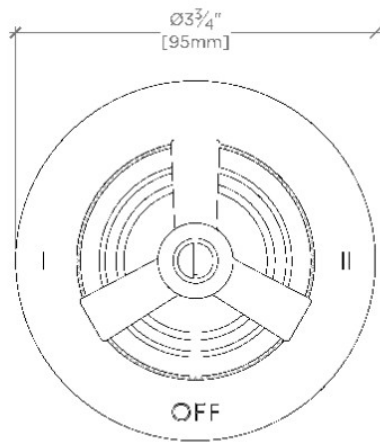
AE2T01

Aero Two Way Diverter Valve Trim for Thermostatic with Metal Cross Handle



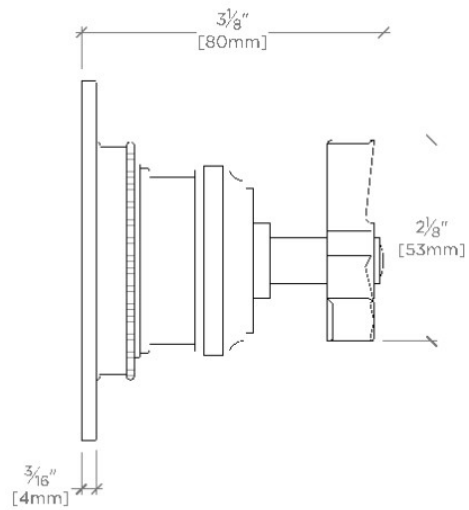
TOP VIEW

SCALE: 6"=1'-0"



FRONT VIEW

SCALE: 6"=1'-0"



SIDE VIEW

SCALE: 6"=1'-0"