

## HIGHGATE

## HGS345

Highgate 3 1/2" Showerhead with Adjustable Spray with 8" Wall Mounted 45 Degree Shower Arm



SHOWN IN HIGHGATE 3 1/2" SHOWERHEAD WITH ADJUSTABLE SPRAY WITH 8" WALL MOUNTED 45 DEGREE SHOWER ARM | HGS345

### INSPIRATION

Our take on old English style: simple, functional shapes, detailed with white porcelain indices and hexagonal accents for a timeless feel.

### PRODUCT FEATURES

Made of Brass

Features a swivel 3 1/2" showerhead with two adjustable spray patterns

Includes a 8" wall mounted 45 degree shower arm

Stocked in Brass, Chrome, Nickel and Matte Nickel

Showerhead available in 1.75gpm (6.6L/min) flow rate

### TECHNICAL DETAILS

Adjustable Versus Fixed Spray: Adjustable Spray

Fittings Hole Diameter: 1 1/4"

Flow Restriction Options: 1.5, 1.75, 2.0

Inlet Connection Size: 1/2"

Inlet Connection Type: Male NPT

Pivot: Y

Primary Material: Brass

Restricted Maximum Flow Rate: 1.75 gpm

Water Pressure Maximum: 85.0 psi

Water Pressure Minimum: 20.0 psi

Water Pressure Recommended: 45.0 psi

### CODES & STANDARDS

HGS345X, ASME A112.18.1/CSA B125.1, CEC(1.5GPM & 1.75GPM Only), WaterSense(1.5GPM, 1.75GPM & 2.0GPM Only), DOE, State of MA

### CERTIFICATIONS



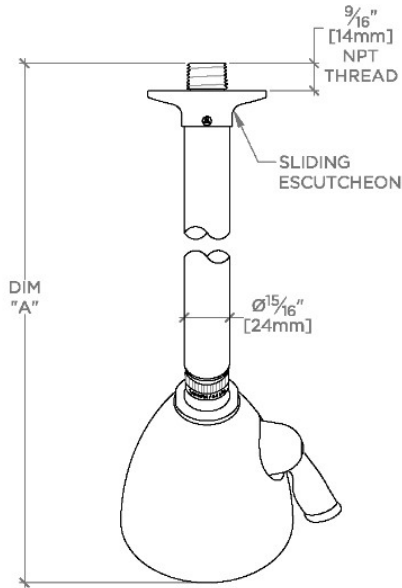
### PRODUCT (NOTES)

# WATERWORKS

## HIGHGATE

## HGS345

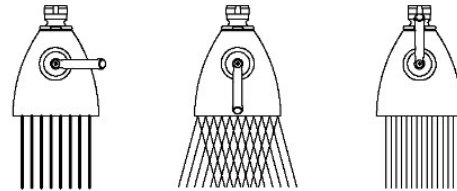
Highgate 3 1/2" Showerhead with Adjustable Spray with 8" Wall Mounted 45 Degree Shower Arm



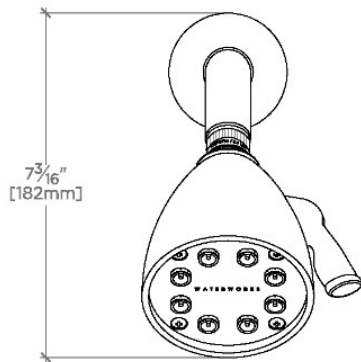
TOP VIEW

SCALE: 3"=1'-0"

STYLE NO.	DIM "A"	DIM "B"
DSS344	10 7/8" [276mm]	6 1/4" [158mm]
HGS344		
RRS344		
DSS345	12 7/8" [326mm]	8 1/4" [209mm]
HGS345		
RRS345		

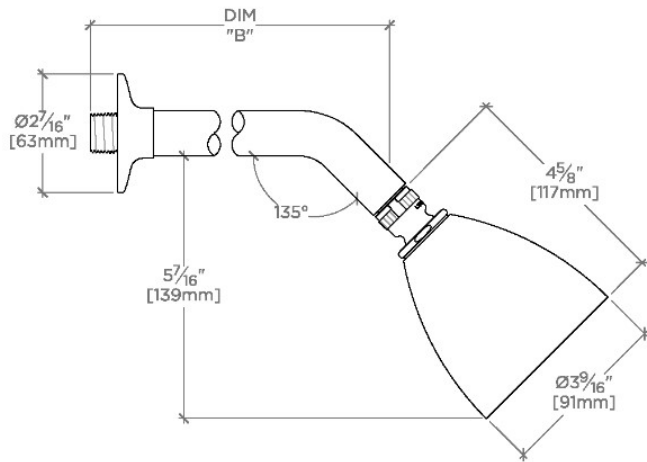


SPRAY PATTERNS



FRONT VIEW

SCALE: 3"=1'-0"



SIDE VIEW

SCALE: 3"=1'-0"