

JULIA

JU09KM

Julia One Hole High Profile Kitchen Faucet, Metal Lever Handles and Spray



SHOWN IN JULIA ONE HOLE HIGH PROFILE KITCHEN FAUCET, METAL LEVER HANDLE AND SPRAY| JUKM09

TECHNICAL DETAILS

Deck Thickness Maximum: 32 mm
Deck Thickness Minimum: 0 mm
Fittings Hole Diameter: 38 mm
Flow Restriction Options: 1.5, 1.0
Handle Spread Maximum: 140 mm
Handle Spread Minimum: 140 mm
Handle Turn Angle: Quarter Turn
Index Color / Finish and Material: White Porcelain
Depth / Width: 281 mm
Height: 324 mm
Inlet Connection Size: 3/8"
Inlet Connection Type: Female G/BSPP
Installation Type: Deck Mounted
Length: 171 mm
Number of Holes: One Hole
Primary Material: Brass
Restricted Maximum Flow Rate: 8.3 liters/min
Spray Included in Unit: Y
Suggested Application: Bar, Kitchen, Laundry
Valve Material: Ceramic
Water Pressure Maximum: 5.5 bar
Water Pressure Minimum: 1.5 bar
Water Pressure Recommended: 3.0 bar

INSPIRATION

An interpretation of 1920s French country, Julia speaks to decoration and intricate design displayed through beautifully composed turnings. These details embody the robust, signature high profile spout enabling Julia to transition fluidly from informal to formal environments.

PRODUCT FEATURES

Swivel spout features a single lever, with white porcelain index, allowing for single-handed operation. The addition of a kitchen spray completes the look and functionality of any kitchen.

Available with metal, wood or porcelain handle materials as well as made-to-order materials including semiprecious stones.

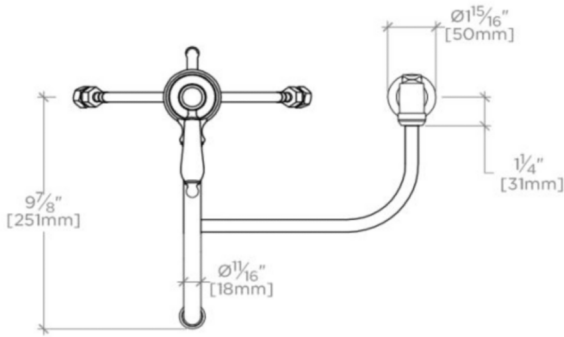
Standard flow rate is 2.2gpm (8.3 L/min). Also available in high efficiency flow options. Contact your sales associate or call 1 (800) 899-6757 for details.

WATERWORKS

JULIA

JU09KM

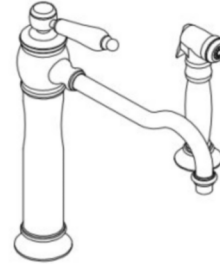
Julia One Hole High Profile Kitchen Faucet, Metal Lever Handles and Spray



TOP VIEW

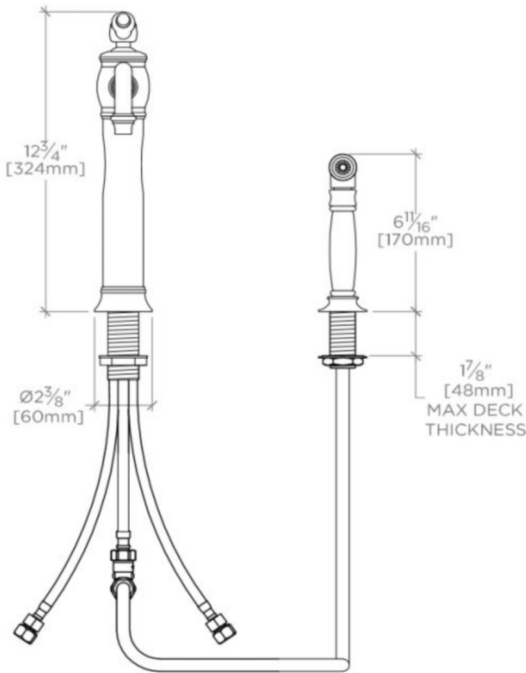
SCALE: 1 1/2" = 1'-0"

ADAPTER(S) PACKAGED SEPARATELY		
ADAPTER	DESCRIPTION	QTY
UNUK08	9/16"-24 UNEF Male x 3/8" Female BSP in Nickel	2



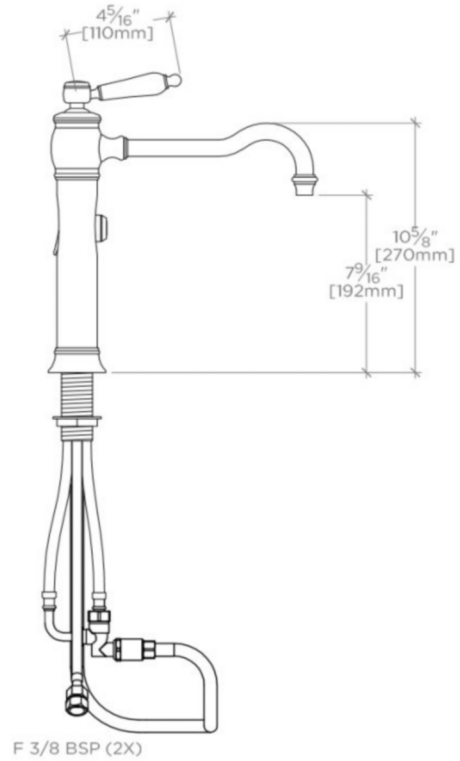
ISO VIEW

SCALE: 1 1/2" = 1'-0"



FRONT VIEW

SCALE: 1 1/2" = 1'-0"



SIDE VIEW

SCALE: 1 1/2" = 1'-0"