

R.W. ATLAS

RW10PF

R.W. Atlas Wall Mounted Articulated Pot Filler, Metal Lever Handles



SHOWN IN R.W. ATLAS WALL MOUNTED ARTICULATED POT FILLER, METAL LEVER HANDLES| RWPF10

TECHNICAL DETAILS

Handle Turn Angle: Quarter Turn
Depth / Width: 579 mm
Height: 249 mm
Inlet Connection Size: 1/2"
Inlet Connection Type: Male BSPP
Length: 106 mm
Spout Swivel: Y
Water Pressure Maximum: 5.5 bar
Water Pressure Minimum: 1.5 bar
Water Pressure Recommended: 3.0 bar

INSPIRATION

Powerful shapes, genuine materials and unique aesthetic details. The original, impeccable vision of R.W. Atlas pairs American ingenuity with European craftsmanship.

PRODUCT FEATURES

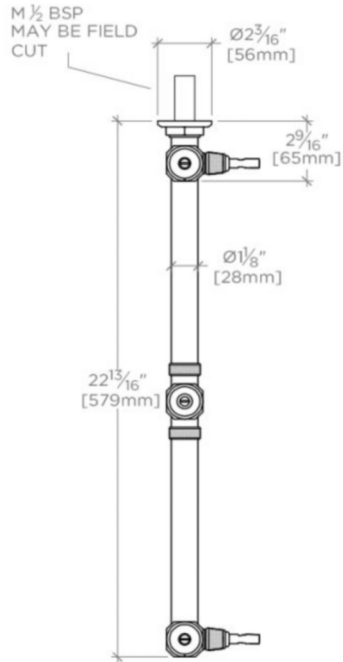
- Articulating Spout
- Quarter turn ceramic cartridges
- Dual valve wall mount pot filler
- Cold water only, non-mixing valve
- Smooth folding action for easy storage against the wall with one effortless motion

WATERWORKS

R.W. ATLAS

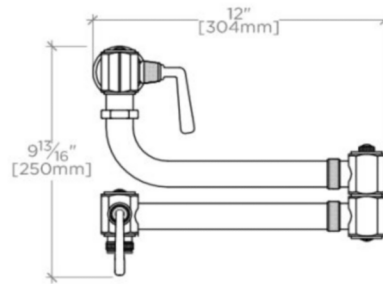
RW10PF

R.W. Atlas Wall Mounted Articulated Pot Filler, Metal Lever Handles

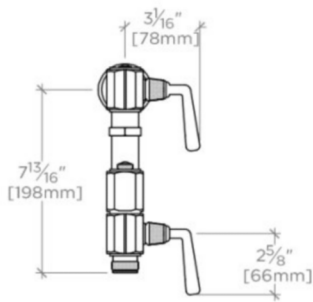


TOP VIEW SCALE: 1/2"=1'-0"

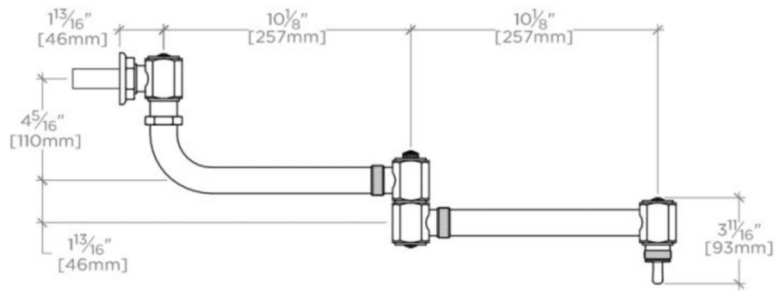
ADAPTER(S) PACKAGED SEPARATELY		
ADAPTER	DESCRIPTION	QTY
UNUK04	Universal 1/2" NPT Male x 1/2" Male Nipple 50mm Long BSP Adapter	1



FOLDED VIEW SCALE: 1/2"=1'-0"



FRONT VIEW SCALE: 1/2"=1'-0"



SIDE VIEW SCALE: 1/2"=1'-0"