

# HENRY

Three Hole Gooseneck Kitchen Faucet and Spray

# INSTALLATION GUIDELINES

**Style No.** HNKM20  
Metal Cross Handles



**Style No.** HNKM30  
Metal Lever Handles



**SPECIFICATIONS:**

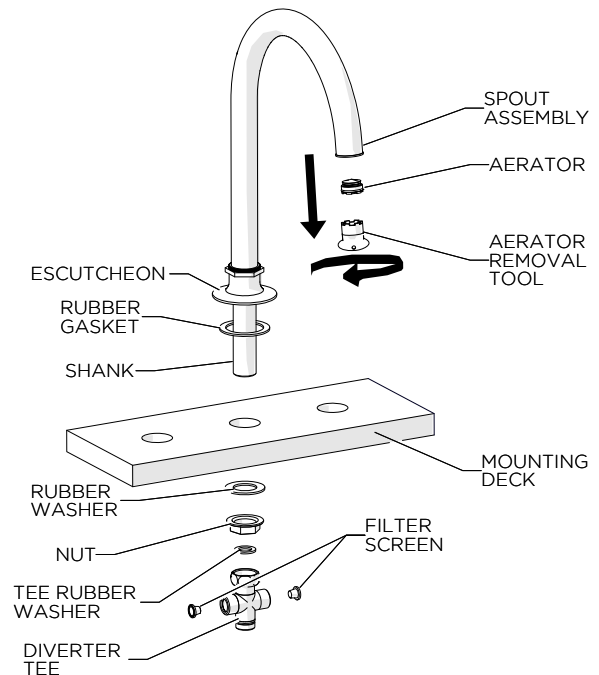
<b>Deck Thickness:</b>	3/8" MIN - 1-1/2" MAX (10mm MIN - 38mm MAX)
<b>Fitting Hole Diameter</b>	Ø1-3/8" (Ø 35mm)
<b>Inlet Connection Size &amp; Type:</b>	1/2" Male
<b>Restricted Maximum Flow Rate:</b>	2.2gpm (8.32 L/min)
<b>Spout Reach:</b>	9-1/2" (241mm)
<b>Spout Swivel:</b>	Yes
<b>Water Pressure:</b>	20 psi MIN - 80psi MAX (1.4 Bar Min - 5.5 Bar Max)
<b>Water Pressure Recommended:</b>	45 psi (3 Bar)

**IMPORTANT:**

- To ensure this product is installed properly, you must read and follow these guidelines.
- The owner/user of this product must keep this information for future reference.
- Be sure your installation conforms to federal, state, and local codes. In the State of Massachusetts, all installations must comply with the rules and regulations set forth within 248 CMR.
- This product must be installed by a professional licensed contractor.
- Inspect this product to ensure you have all the parts required for proper installation.
- Use only a strap wrench or protected/smooth-jaw wrench on any finished surface.
- The use of certain putty may stain stone or tile surfaces. Upper and lower washers are provided.

**SPOUT INSTALLATION:**

- See Figure 1. for Steps 1-4.



**FIGURE - 01**

1. Remove the NUT, RUBBER WASHER & DIVERTER TEE from the bottom of the SHANK.
2. Place the SPOUT ASSEMBLY through the hole on the MOUNTING DECK, making sure the RUBBER GASKET is below the ESCUTCHEON.

These guidelines have been prepared for the professional contractor to aid in the installation of: HENRY THREE HOLE KITCHEN FAUCET WITH SPRAY, STYLE NOS. HNKM20 & HNKM30. All dimensions are based on original specification and are subject to change and variation. Please consult your Design Associate for current specifications.

**WATERWORKS**

# HENRY

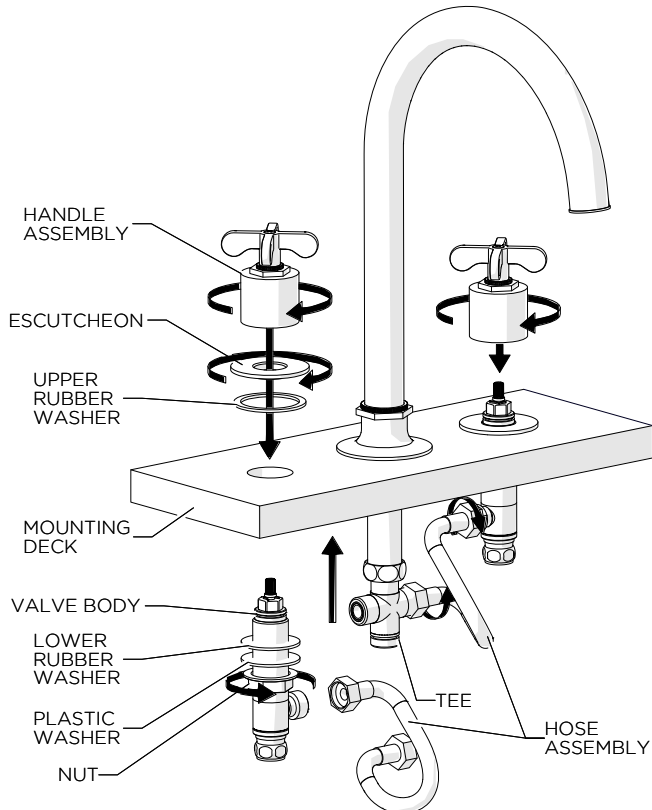
Three Hole Gooseneck Kitchen Faucet and Spray

# INSTALLATION GUIDELINES

3. Reinstall the RUBBER WASHER and NUT to the bottom of the SHANKS to secure the SPOUT ASSEMBLY.
4. Reinstall the DIVERTER TEE to the SHANK, making sure the TEE RUBBER WASHER is between. Note: There are 2 FILTER SCREENS on the inlets of the DIVERTER TEE.

### HANDLE INSTALLATION:

- See Figure 2. for Steps 5-9.

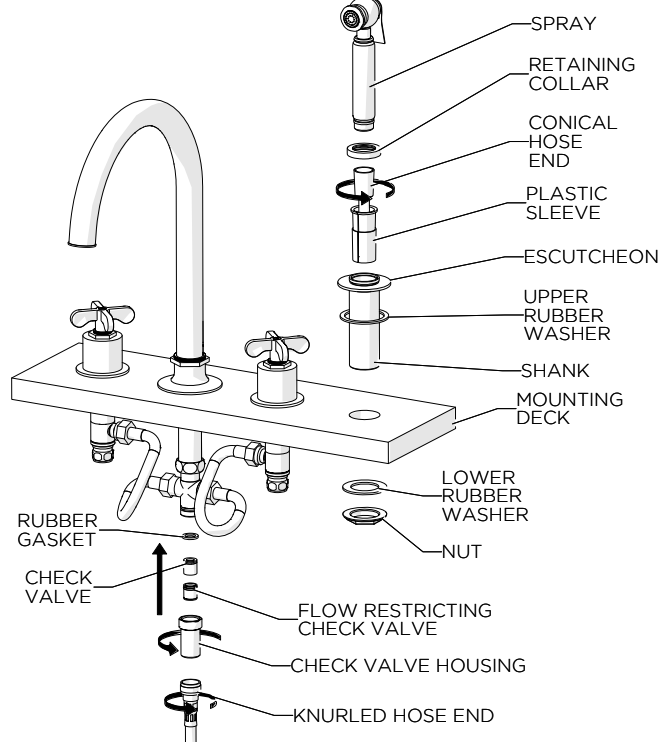


**FIGURE - 02**

5. Remove the HANDLE ASSEMBLY, ESCUTCHEON & UPPER RUBBER WASHER from the VALVE BODY.
6. Thread the NUT all the way down the VALVE BODY and then place the VALVE BODY through the hole from the underside of the MOUNTING DECK.
7. Thread the ESCUTCHEON onto the VALVE BODY, making sure the UPPER RUBBER WASHER is underneath the ESCUTCHEON. The ESCUTCHEON will thread onto the VALVE BODY until it comes to a stop; DO NOT over tighten.
8. Thread the HANDLE ASSEMBLY onto the VALVE BODY. Verify the handle alignment, then tighten the NUT to secure.
9. Connect the HOSE ASSEMBLY to the TEE and to the VALVE BODY. Repeat Steps 5-9 to install other handle.

### SIDE SPRAY INSTALLATION:

- See Figure 3. for Steps 10-16.



**FIGURE - 03**

- Note: HOSE is not shown complete.
10. Remove the NUT & LOWER RUBBER WASHER from bottom of SHANK
  11. Place ESCUTCHEON & SHANK through the mounting hole, making sure the UPPER RUBBER GASKET is below. Reinstall the NUT and LOWER RUBBER WASHER to secure the spray return.
  12. Drop the KNURLED END of the handshower HOSE through the ESCUTCHEON and below the deck.
  13. Spread the PLASTIC SLEEVE open and place the HOSE into it. Snap the PLASTIC INSERT into the ESCUTCHEON to make sure HOSE does not slip below the deck.
  14. Thread the RETAINING COLLAR onto the top of the ESCUTCHEON.
  15. Connect the CHECK VALVE HOUSING to the bottom of the TEE, making sure the RUBBER GASKET is between. Note: The FLOW RESTRICTING CHECK VALVE and CHECK VALVE are in the housing.
  16. Lastly attach the KNURLED END of the HOSE to the CHECK VALVE HOUSING and attach the CONICAL END of the HOSE to the SPRAY.

These guidelines have been prepared for the professional contractor to aid in the installation of:  
 HENRY THREE HOLE KITCHEN FAUCET WITH SPRAY, STYLE NOS.  
 HNKM20 & HNKM30  
 All dimensions are based on original specification and are subject to change and variation.  
 Please consult your Design Associate for current specifications.

# WATERWORKS

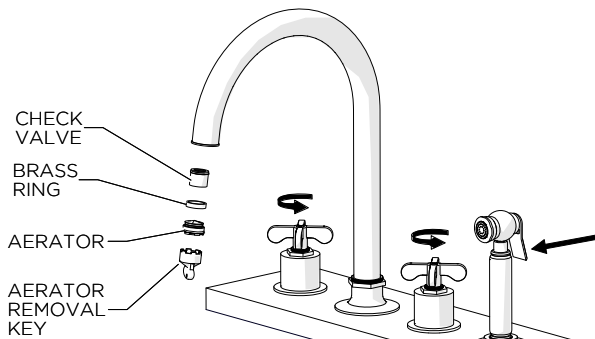
## HENRY

Three Hole Gooseneck Kitchen Faucet and Spray

## INSTALLATION GUIDELINES

### **COMPLETE THE INSTALLATION:**

- See Figure 4. for Steps 17-20.
- 17. Remove the flow restricting AERATOR, BRASS RING & CHECK VALVE using the AERATOR REMOVAL KEY, then carefully open the hot and cold valves to flush out any debris in the supply lines.
- 18. Check the function of the side spray during this step.
- 19. Inspect all connections for leaks.
- 20. Re-install the flow restricting AERATOR, BRASS RING & CHECK VALVE.



**FIGURE - 04**

### **PURGE THE SPOUT (After Installation):**

- **If the faucet has a steady stream or drip of water after the unit is shut off, then there is trapped air in the gooseneck and the spout needs to be purged.**
  - See Figure 4. for Steps 21-24.
  - 21. Remove the AERATOR, BRASS RING & CHECK VALVE from the end of the spout and turn water back on.
  - 22. Allow water to run long enough, that when shut off, the water dripping stops immediately. You may actually hear the air escaping.
  - 23. Make sure to test side spray during this step to make sure everything is functioning correctly.
  - 24. Re-install AERATOR, BRASS RING & CHECK VALVE and make sure the water stops immediately when shut off.
- If further assistance is required, please contact Product Support at 1-800-927-2120 (8am-6pm EST).
  - See service part document for parts ordering, available on [WATERWORKS.COM](http://WATERWORKS.COM).
- \* Putty contains oils and can cause permanent discoloration on certain materials such as marble, granite and any porous surface.

These guidelines have been prepared for the professional contractor to aid in the installation of:  
HENRY THREE HOLE KITCHEN FAUCET WITH SPRAY. STYLE NOS.  
HNKM20 & HNKM30  
All dimensions are based on original specification and are subject to change and variation.  
Please consult your Design Associate for current specifications.

# WATERWORKS