

FINOT

NKM420

Finot One Hole Bar Faucet with Lever Handle



SHOWN IN FINOT ONE HOLE BAR FAUCET WITH LEVER HANDLE | NKM420

TECHNICAL DETAILS

Deck Thickness Maximum: 2 1/2"
Deck Thickness Minimum: 0"
Fittings Hole Diameter: 1 5/8"
Handle Turn Angle: Quarter Turn
Inlet Connection Size: 3/8"
Inlet Connection Type: Compression Connection Hoses
Restricted Maximum Flow Rate: 1.2 gpm
Valve Material: Ceramic
Water Pressure Maximum: 85.0 psi
Water Pressure Minimum: 20.0 psi
Water Pressure Recommended: 45.0 psi

INSPIRATION

Finot seamlessly blends meticulous details with contemporary sensibility. A true integration of design and engineering expertise, this collection is comprised of parts that are decisively cast and forged to achieve painstaking precision and refinement.

CODES & STANDARDS

PRODUCT FEATURES

Features Lever Handle

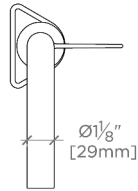
Stocked in Chrome, Nickel, Brass and Dark Nickel

Available in 1.2gpm (4.5L/min) flow rate

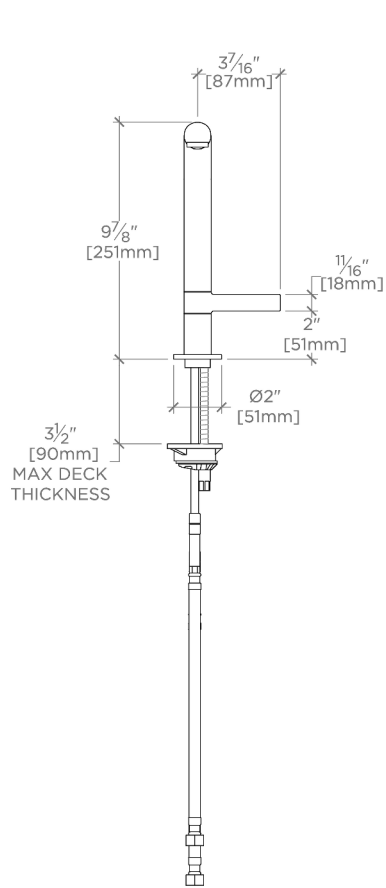
CERTIFICATIONS

PRODUCT (NOTES)

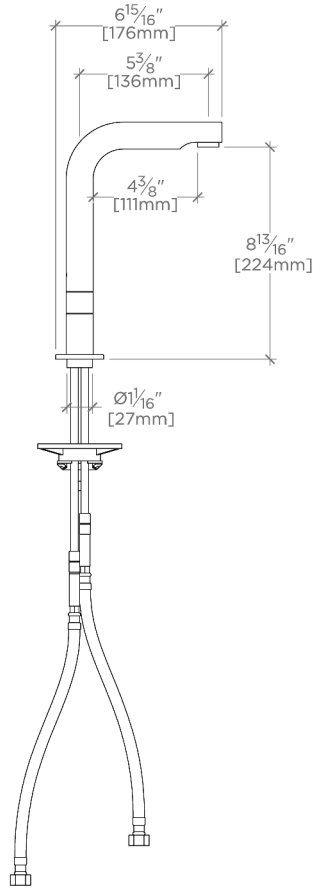
Finot One Hole Bar Faucet with Lever Handle



TOP VIEW SCALE: 1/2"=1'-0"



FRONT VIEW SCALE: 1/2"=1'-0"



SIDE VIEW SCALE: 1/2"=1'-0"