

## DASH

DSTH33

Dash Metal Lever Handle Thermostatic with Metal Cross Handle Three Way Diverter Trim



SHOWN IN DASH METAL LEVER HANDLE THERMOSTATIC WITH METAL CROSS HANDLE THREE WAY DIVERTER TRIM | DSTH33

### TECHNICAL DETAILS

ADA Compliance: Yes  
 Depth/Width: 4 9/16"  
 Escutcheon Primary Material: Brass  
 Fittings Hole Diameter: 5 1/4"  
 Handle Spread Maximum: 5 11/16"  
 Handle Spread Minimum: 5 11/16"  
 Handle Turn Angle: Full Turn  
 Height: 12 9/16"  
 Installation Type: Wall Mounted  
 Integrated Diverter: Y  
 Length: 6 3/4"  
 Number Of Handles: Two  
 Primary Material: Brass  
 Suggested Application: Bath

### INSPIRATION

A blend of art and function, Dash pays homage to design elements of the 1930s with pared-down shapes, softened curves and minimal details.

### CODES & STANDARDS

State of MA

### PRODUCT FEATURES

Metal Cross Handle

The thermostatic valve and three way diverter trims are housed neatly together on an oval back plate for a clean install in the shower.

Stocked in Nickel, Chrome, Unlacquered Brass, and Matte Nickel finishes

Requires valve rough sold separately

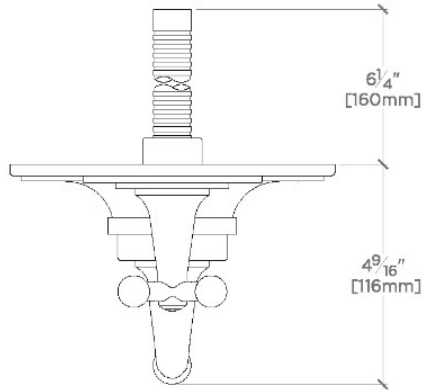
### CERTIFICATIONS

Product Requires Universal Thermostatic Valve with  
**PRODUCT NOTES**  
 Diverter with Shutoff Valve  
 [GUTH50]. Valve Sold Separately.

## DASH

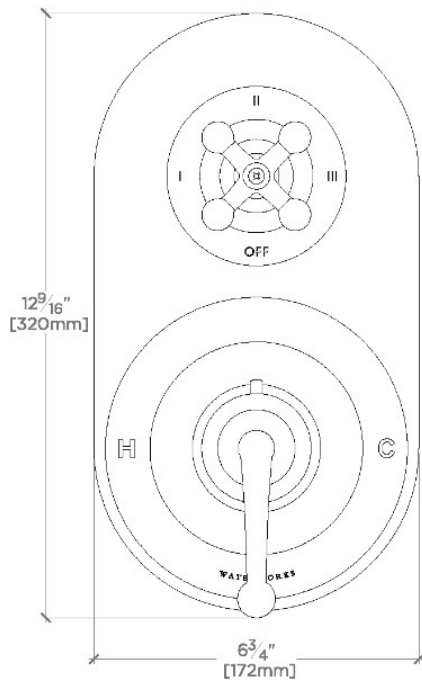
## DSTH33

Dash Metal Lever Handle Thermostatic with Metal Cross  
Handle Three Way Diverter Trim



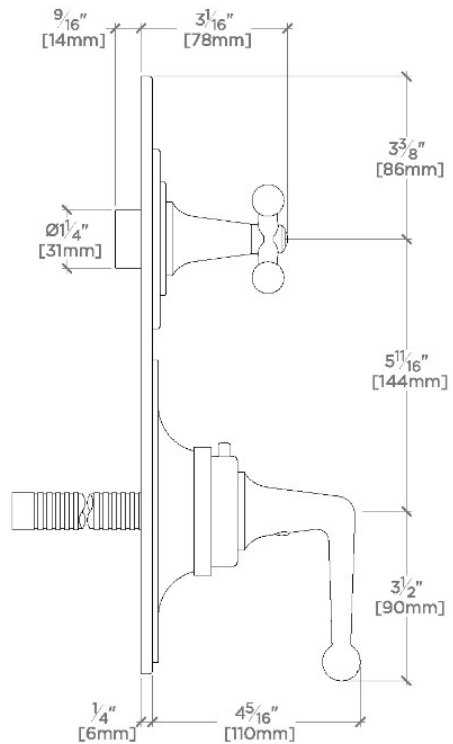
TOP VIEW

SCALE: 3"=1'-0"



FRONT VIEW

SCALE: 3"=1'-0"



SIDE VIEW

SCALE: 3"=1'-0"