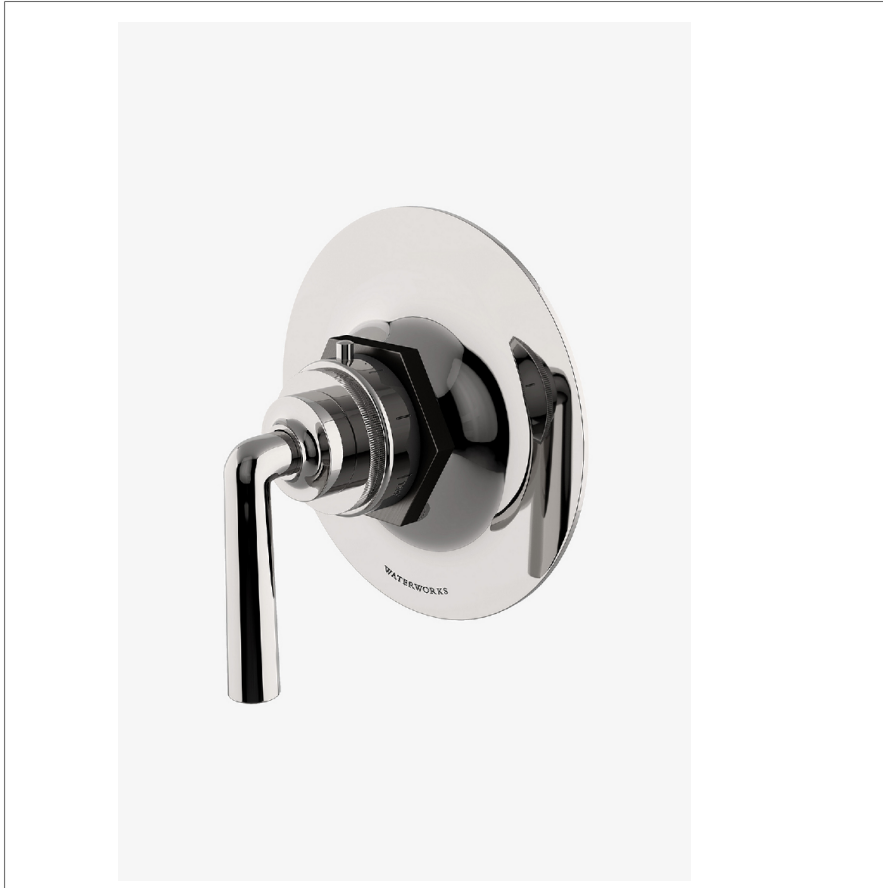


## Henry

HTH212

Henry Thermostatic Control Valve Trim with Two Tone Lever Handle



SHOWN IN HENRY THERMOSTATIC CONTROL VALVE TRIM WITH TWO TONE LEVER HANDLE | HTH212

### TECHNICAL DETAILS

ADA Compliance: Yes  
 Integrated Diverter: N  
 Number Of Handles: One  
 Primary Material: Brass

### INSPIRATION

Celebrating the connection of industry and art, Henry transitions effortlessly between modern, traditional, and classic settings. These iconic fittings blend 19th-century industrial and artistic references for a look that's forever of the moment—familiar yet wholly original.

### CODES & STANDARDS

ASME A112.18.1/CSA B125.1, State of MA

### PRODUCT FEATURES

Two-Tone Lever Handle

Allows Bather to Adjust Temperature of All Waterway Outlets

Features Anti-Scald Protection Through an Integrated High Limit Safety Stop

Stocked in Nickel/Dark Nickel and Brass/Dark Nickel

Requires Rough Valve, Sold Separately: GUTH60 (1/2") or GUTH37 (3/4")

### CERTIFICATIONS

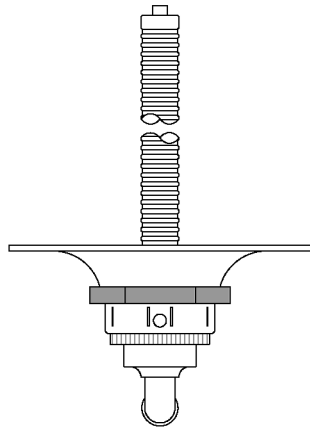


### PRODUCT (NOTES)

## Henry

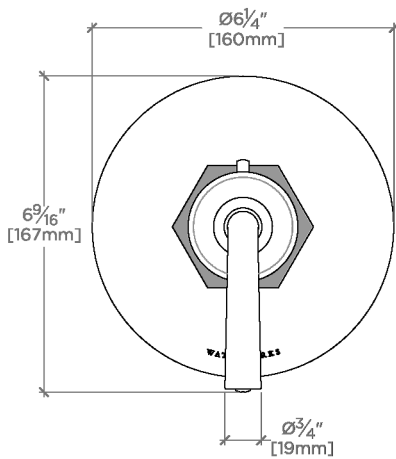
HTH212

Henry Thermostatic Control Valve Trim with Two Tone Lever Handle



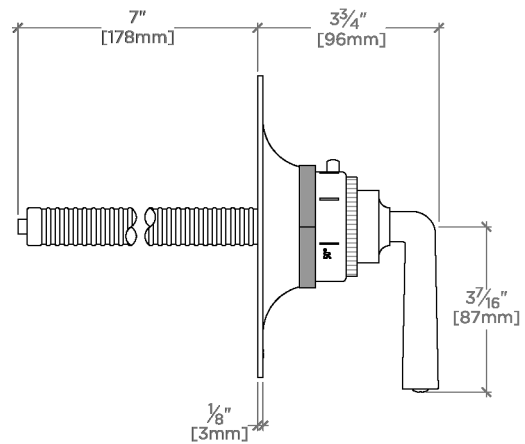
TOP VIEW

SCALE: 3"=1'-0"



FRONT VIEW

SCALE: 3"=1'-0"



SIDE VIEW

SCALE: 3"=1'-0"