

Bond

BLS220

Bond Solo Series Gooseneck Lavatory Faucet with Straight Lever Handles



SHOWN IN BOND SOLO SERIES GOOSENECK LAVATORY FAUCET WITH STRAIGHT LEVER HANDLES | BLS220

TECHNICAL DETAILS

ADA Compliance: Yes
 Deck Thickness Maximum: 43 mm
 Deck Thickness Minimum: 6 mm
 Drain Depth Maximum: 67 mm
 Drain Depth Minimum: 10 mm
 Drain Hole Diameter: 44 mm
 Drain Style: Push Touch
 Fittings Hole Diameter: 35 mm
 Flow Restriction Options: 1.2
 Handle Spread Maximum: 305 mm
 Handle Spread Minimum: 203 mm
 Handle Turn Angle: Quarter Turn
 Inlet Connection Size: 1/2"
 Inlet Connection Type: Male with Supply Nut
 Number Of Holes: Three Hole
 Primary Material: Brass
 Restricted Maximum Flow Rate: 4.5 liters/min
 Spout Swivel: N
 Valve Material: Ceramic
 Water Pressure Maximum: 6.0 bar
 Water Pressure Minimum: 1.5 bar
 Water Pressure Recommended: 3.0 bar

INSPIRATION

Modern designs infused with rare soul and artistry. Explore our wide range of Bond bath and kitchen elements, from fittings to fixtures to hardware.

CODES & STANDARDS

BLS220X, NSF/ANSI/CAN 61:Q < 1, NSF/ANSI/CAN 372, ASME A112.18.1/CSA B125.1, CEC, State of MA

PRODUCT FEATURES

Lever Handles

Includes Universal Push-Touch Drain (UNLD23) which fits 1-1/2" through 1-3/4" drain hole openings

Stocked in Chrome, Nickel, Brass and Dark Nickel

Available in 1.2gpm (4.5L/min) flow rate

CERTIFICATIONS



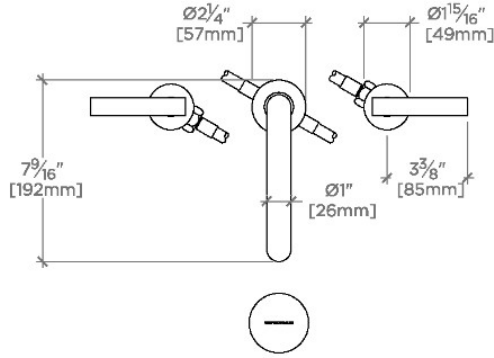
PRODUCT (NOTES)

WATERWORKS

Bond

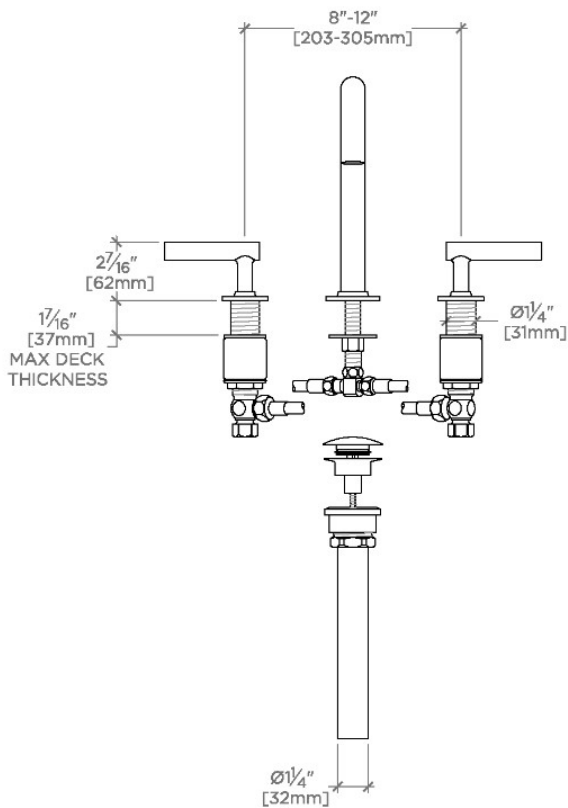
BLS220

Bond Solo Series Gooseneck Lavatory Faucet with Straight Lever Handles



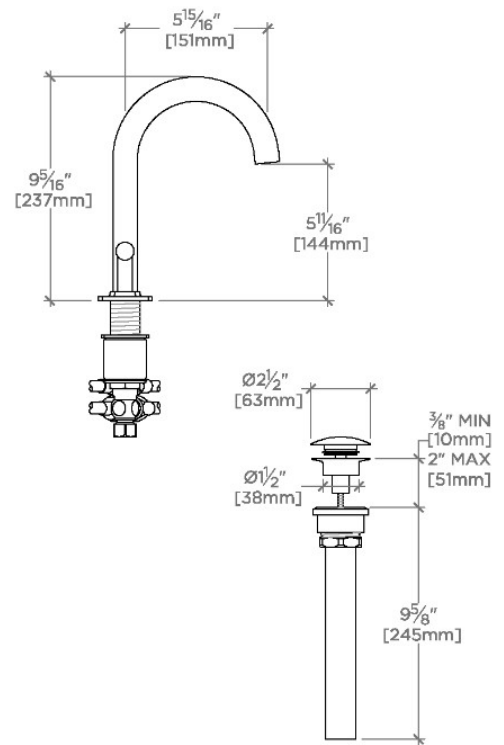
TOP VIEW

SCALE: $1\frac{1}{2}"=1'-0"$



FRONT VIEW

SCALE: $1\frac{1}{2}"=1'-0"$



SIDE VIEW

SCALE: $1\frac{1}{2}"=1'-0"$