

BOND

BKM12A

Bond Tandem Series One Hole Gooseneck Integrated Pull Spray Kitchen Faucet with Guilloche Lines Lever Handle



SHOWN IN BOND TANDEM SERIES ONE HOLE GOOSENECK INTEGRATED PULL SPRAY KITCHEN FAUCET WITH GUILLOCHE LINES LEVER HANDLE | BKM12A

TECHNICAL DETAILS

ADA Compliance: Yes
 Adjustable Versus Fixed Spray: Adjustable
 Deck Thickness Maximum: 2 1/4"
 Deck Thickness Minimum: 1/4"
 Fittings Hole Diameter: 1 1/2"
 Handle Turn Angle: Tilt and Turn
 Handshower Spray Hose Length: 59"
 Inlet Connection Size: 3/8"
 Inlet Connection Type: Compression Connection Hoses
 Integrated Diverter: Y
 Restricted Maximum Flow Rate: 1.75 gpm
 Spout Swivel: Y
 Spray Included In Unit: Y
 Valve Material: Ceramic
 Water Pressure Maximum: 85.0 psi
 Water Pressure Minimum: 25.0 psi
 Water Pressure Recommended: 45.0 psi

INSPIRATION

Modern designs infused with rare soul and artistry. Explore our wide range of Bond bath and kitchen elements, from fittings to fixtures to hardware.

CODES & STANDARDS

BKM12AX, NSF/ANSI/CAN 61:Q < 1, NSF/ANSI/CAN 372, ASME A112.18.1/CSA B125.1, State of MA

PRODUCT FEATURES

Lever Handle

Two Function Integrated Pull Spray operated by a sliding button, switches from aerated stream to jet spray. The button returns to aerated stream when disengaged and remains in spray mode without holding down

Features Linear Guilloche Etching Handle

Stocked in Nickel and Brass

Available in 1.75gpm (6.6L/min) flow rate

CERTIFICATIONS



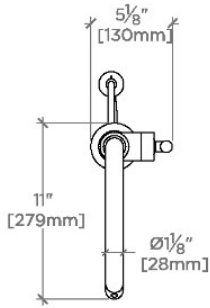
PRODUCT (NOTES)

WATERWORKS

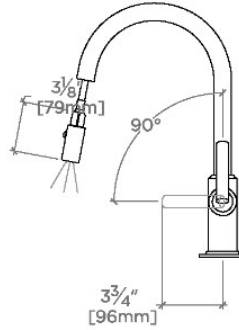
BOND

BKM12A

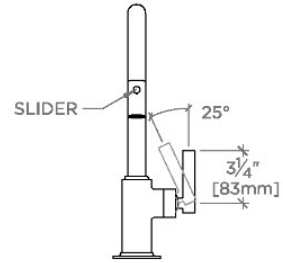
Bond Tandem Series One Hole Gooseneck Integrated Pull Spray Kitchen Faucet with Guilloche Lines Lever Handle



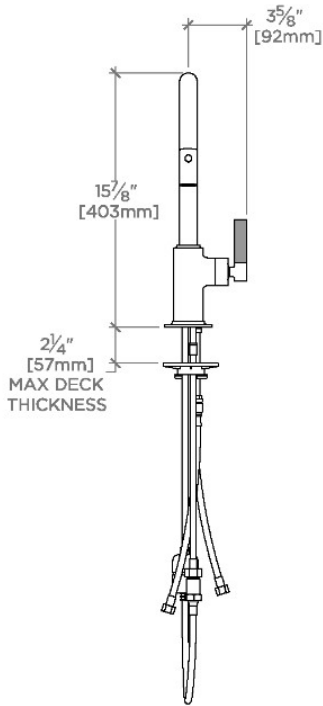
TOP VIEW SCALE: 1"=1'-0"



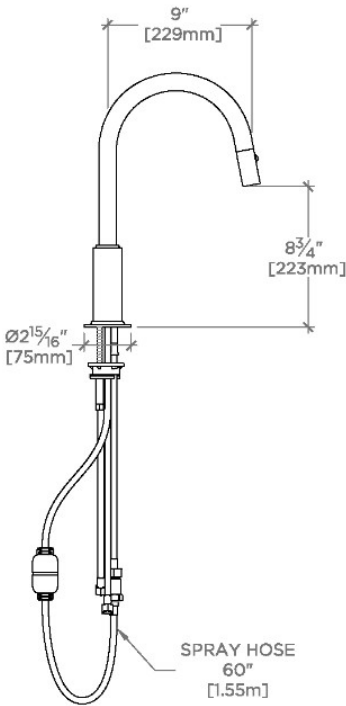
SPRAY AND HANDLE OPERATION SCALE: 1"=1'-0"



SCALE: 1"=1'-0"

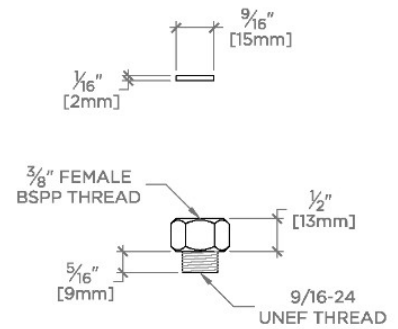


FRONT VIEW SCALE: 1"=1'-0"



SIDE VIEW SCALE: 1"=1'-0"

NOTE:
ADAPTER AND GASKET (x2) INCLUDED -
INTERNATIONAL USE ONLY



ADAPTER NOT TO SCALE