

## Dash

DSTS80

Wall Mounted Tub Spout



SHOWN IN WALL MOUNTED TUB SPOUT | DSTS80

### TECHNICAL DETAILS

Depth/Width: 178 mm  
Escutcheon Primary Material: Brass  
Fittings Hole Diameter: 32 mm  
Inlet Connection Size: 1/2"  
Inlet Connection Type: Male NPT

### INSPIRATION

An imaginative blend of art and function, Dash pays homage to design elements of the 1930s with pared-down shapes, softened curves and minimal details.

### CODES & STANDARDS

CEC, State of MA

### PRODUCT FEATURES

Unrestricted flow for quick filling of a bathtub

Stocked in Nickel, Chrome, Unlacquered Brass, and Matte Nickel finishes

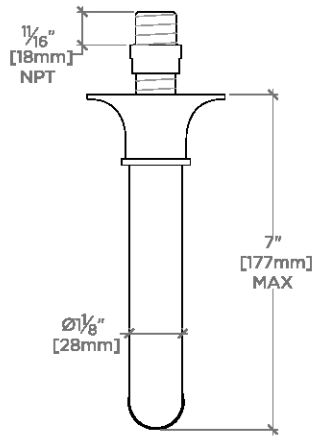
### CERTIFICATIONS

### PRODUCT (NOTES)

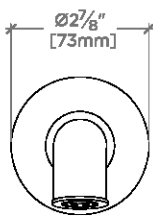
## Dash

DSTS80

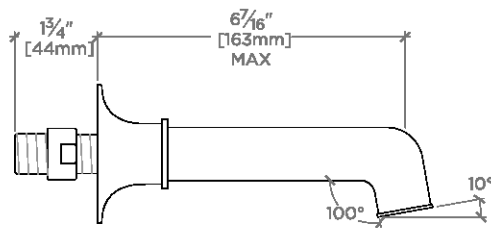
Wall Mounted Tub Spout



TOP VIEW SCALE: 3"=1'-0"



FRONT VIEW SCALE: 3"=1'-0"



SIDE VIEW SCALE: 3"=1'-0"