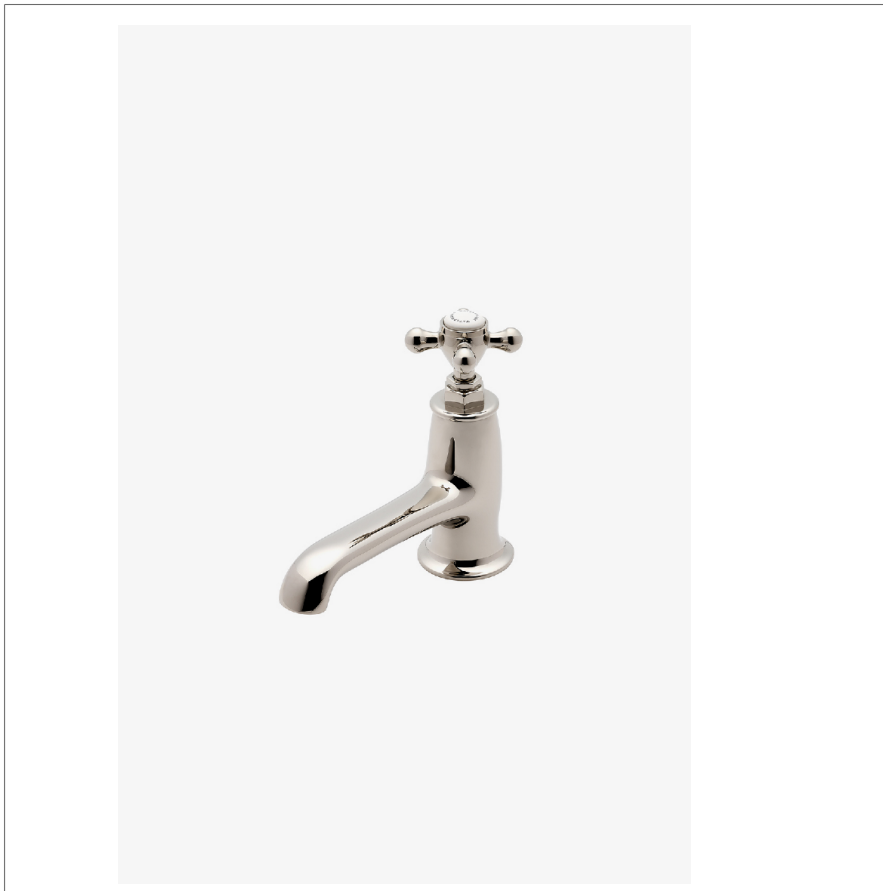


## Highgate

## HGLS40

Highgate One Hole Lavatory Faucet with Cross Handle



SHOWN IN HIGHGATE ONE HOLE LAVATORY FAUCET WITH CROSS HANDLE | HGLS40

### TECHNICAL DETAILS

ADA Compliance: Yes  
 Adjustable Versus Fixed Spray: Fixed Spray  
 Deck Thickness Maximum: 32 mm  
 Deck Thickness Minimum: 10 mm  
 Depth/Width: 175 mm  
 Drain Depth Maximum: 44 mm  
 Drain Depth Minimum: 32 mm  
 Drain Hole Diameter: 38 mm  
 Fittings Hole Diameter: 35 mm  
 Flow Restriction Options: 1.2  
 Handle Turn Angle: Quarter Turn  
 Height: 156 mm  
 Index Color Finish And Material: White Porcelain  
 Index Marking: H/C  
 Inlet Connection Size: 3/8"  
 Inlet Connection Type: Compression Connector  
 Hoses  
 Installation Type: Deck Mounted  
 Integrated Diverter: N  
 Integrated Spray: N  
 Length: 57 mm  
 Number Of Handles: One  
 Number Of Holes: One Hole  
 Primary Material: Brass  
 Restricted Maximum Flow Rate: 4.5 liters/min  
 Spout Swivel: N  
 Spray Included In Unit: N  
 Suggested Application: Bath  
 Valve Material: Ceramic  
 Water Pressure Maximum: 6.0 bar  
 Water Pressure Minimum: 1.5 bar  
 Water Pressure Recommended: 3.0 bar

### INSPIRATION

Our take on old English style: simple, functional shapes, detailed with white porcelain indices and hexagonal accents for a timeless feel.

### CODES & STANDARDS

HGLS40X, NSF/ANSI/CAN 61:Q < 1, NSF/ANSI/CAN 372, ASME A112.18.1/CSA B125.1, CEC, State of MA

### PRODUCT FEATURES

Cross Handle

Includes Universal Lift and Turn Drain (UNLD30) which fits 1-1/2" through 1-3/4" drain hole openings

Stocked in Chrome, Nickel and Brass

Available in 1.2gpm (4.5L/min) flow rate

### CERTIFICATIONS



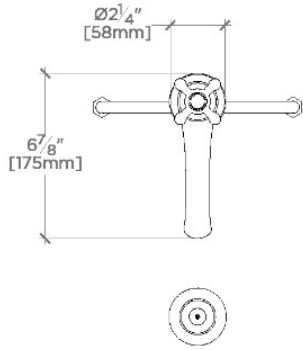
### PRODUCT (NOTES)

USA style drain included.

## Highgate

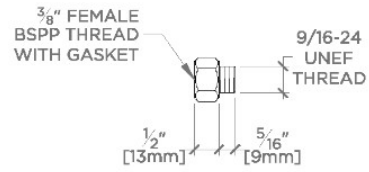
## HGSL40

Highgate One Hole Lavatory Faucet with Cross Handle

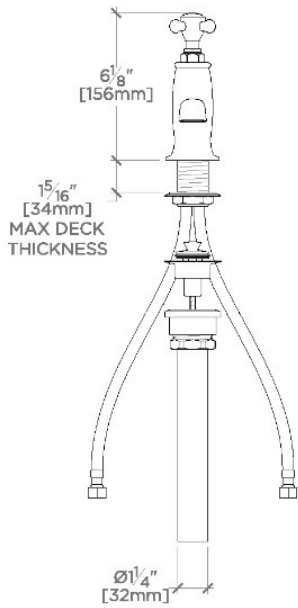


TOP VIEW SCALE: 1 1/2"=1'-0"

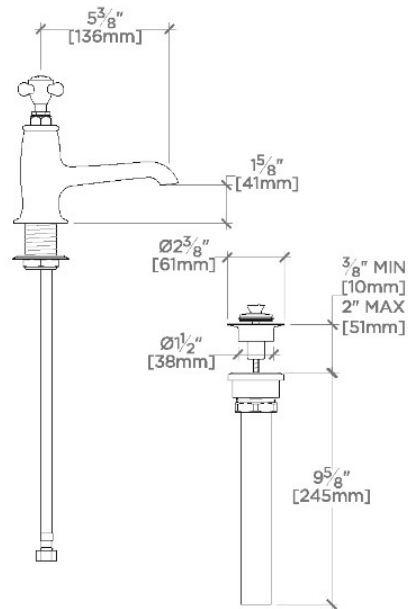
† 2 ADAPTERS SUPPLIED  
INTERNATIONAL USE ONLY



BSPP ADAPTER † NOT TO SCALE



FRONT VIEW SCALE: 1 1/2"=1'-0"



SIDE VIEW SCALE: 1 1/2"=1'-0"