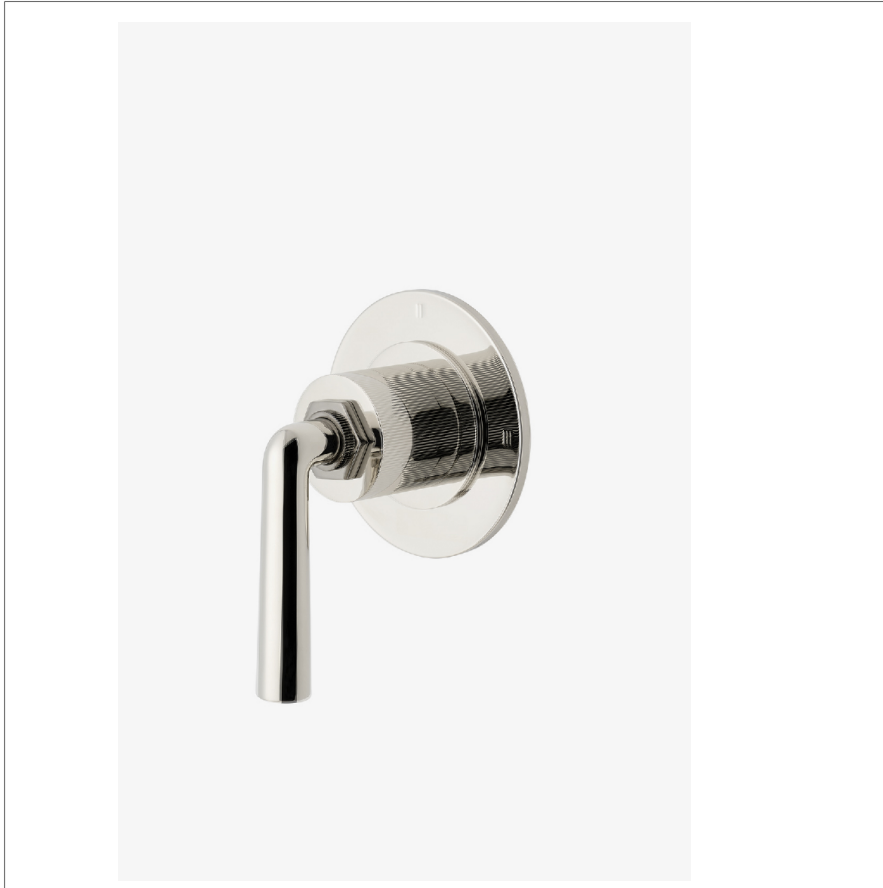


Henry

HN3P13

Henry Three Way Diverter Valve Trim for Pressure Balance with Roman Numerals and Coin Edge Lever Handle



SHOWN IN HENRY THREE WAY DIVERTER VALVE TRIM FOR PRESSURE BALANCE WITH ROMAN NUMERALS AND COIN EDGE LEVER HANDLE | HN3P13

TECHNICAL DETAILS

ADA Compliance: Yes
 Fittings Hole Diameter: 64 mm
 Handle Turn Angle: Quarter Turn Each Way
 Number Of Holes: One Hole
 Primary Material: Brass

INSPIRATION

Celebrating the connection of industry and art, Henry transitions effortlessly between modern, traditional, and classic settings. These iconic fittings blend 19th-century industrial and artistic references for a look that's forever of the moment—familiar yet wholly original.

CODES & STANDARDS

ASME A112.18.1/CSA B125.1, State of MA

PRODUCT FEATURES

Coin Edge Lever Handle

For Use With a Pressure Balance Shower System and Three Waterway Outlets

Features Roman Numerals Representing Outlet Position

Stocked in Brass, Chrome, Nickel and Dark Nickel

Requires valve rough sold separately

CERTIFICATIONS

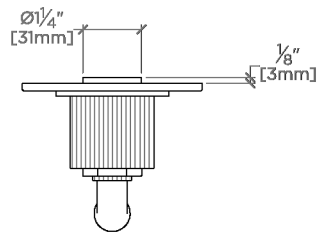


PRODUCT (NOTES)

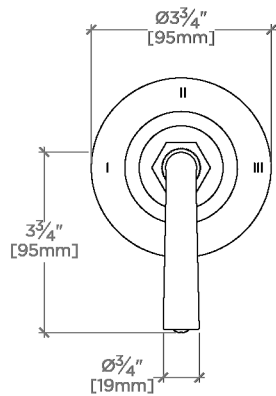
Henry

HN3P13

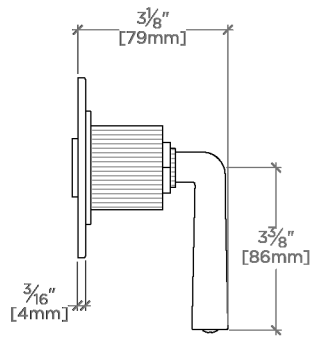
Henry Three Way Diverter Valve Trim for Pressure Balance
with Roman Numerals and Coin Edge Lever Handle



TOP VIEW SCALE: 3"=1'-0"



FRONT VIEW SCALE: 3"=1'-0"



SIDE VIEW SCALE: 3"=1'-0"