

## LUDLOW

LDTH32

Ludlow Integrated Thermostatic and Diverter Trim with Lever Handle



### TECHNICAL DETAILS

ADA Compliance: Yes  
Integrated Diverter: Y  
Number Of Holes: One Hole  
Primary Material: Brass

SHOWN IN LUDLOW INTEGRATED THERMOSTATIC AND DIVERTER TRIM WITH LEVER HANDLE | LDTH32

### INSPIRATION

Our fresh take on American industrial design comes in three styles, each of them clean-lined, and distinct to Waterworks.

### CODES & STANDARDS

ASME A112.18.1/CSA B125.1, State of MA

### PRODUCT FEATURES

Features Lever Handle

Smooth handle operation with haptic "clicks" at each diverter position for tactile feedback

A solid brass trim plate features engraved TEMPERATURE along with H and C markings.

Stocked in Chrome, Nickel and Brass

Requires rough valve, sold separately: GUTH62 or GUTH63 (USA) or GU62TH or GU63TH (UK/International)

### CERTIFICATIONS

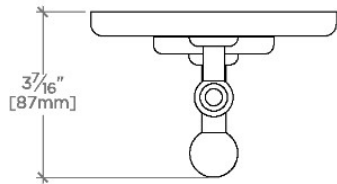


### PRODUCT (NOTES)

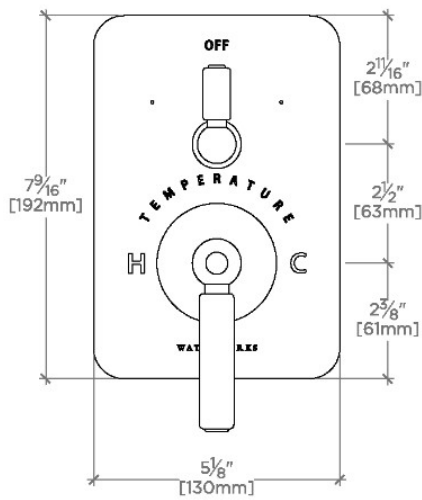
## LUDLOW

## LDTH32

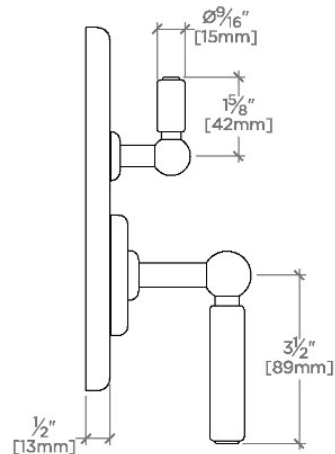
Ludlow Integrated Thermostatic and Diverter Trim with Lever Handle



TOP VIEW SCALE: 3"=1'-0"



FRONT VIEW SCALE: 3"=1'-0"



SIDE VIEW SCALE: 3"=1'-0"