

BOND

BKM47A

Bond Tandem Series One Hole Gooseneck Bar Faucet with Guilloche Lines Lever Handle



SHOWN IN BOND TANDEM SERIES ONE HOLE GOOSENECK BAR FAUCET WITH GUILLOCHE LINES LEVER HANDLE | BKM47A

TECHNICAL DETAILS

ADA Compliance: Yes
Deck Thickness Maximum: 1 1/2"
Deck Thickness Minimum: 1/4"
Fittings Hole Diameter: 1 3/8"
Handle Turn Angle: Quarter Turn
Inlet Connection Size: 3/8"
Inlet Connection Type: Compression Connection Hoses
Restricted Maximum Flow Rate: 1.2 gpm
Spout Swivel: Y
Valve Material: Ceramic
Water Pressure Maximum: 85.0 psi
Water Pressure Minimum: 25.0 psi
Water Pressure Recommended: 45.0 psi

INSPIRATION

Modern designs infused with rare soul and artistry. Explore our wide range of Bond bath and kitchen elements, from fittings to fixtures to hardware.

CODES & STANDARDS

BKM47AX, NSF/ANSI/CAN 61:Q < 1, NSF/ANSI/CAN 372, ASME A112.18.1/CSA B125.1, CEC, State of MA

PRODUCT FEATURES

Lever Handle

Handle rotates toward the front to prevent contact with backsplash

Features Linear Guilloche Etching Handle

Stocked in Nickel and Brass

Available in 1.2gpm (4.5L/min) flow rate

CERTIFICATIONS



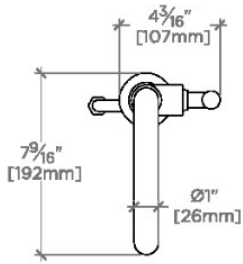
PRODUCT (NOTES)

WATERWORKS

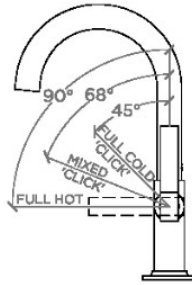
BOND

BKM47A

Bond Tandem Series One Hole Gooseneck Bar Faucet with Guilloche Lines Lever Handle

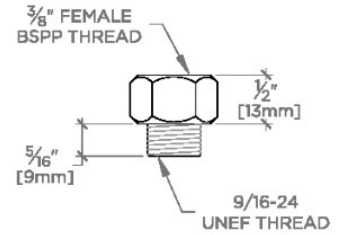
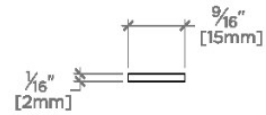


TOP VIEW SCALE: 1/2"=1'-0"

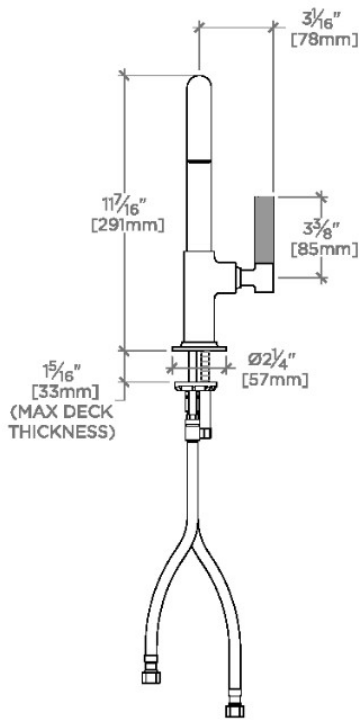


HANDLE OPERATION SCALE: 1/2"=1'-0"

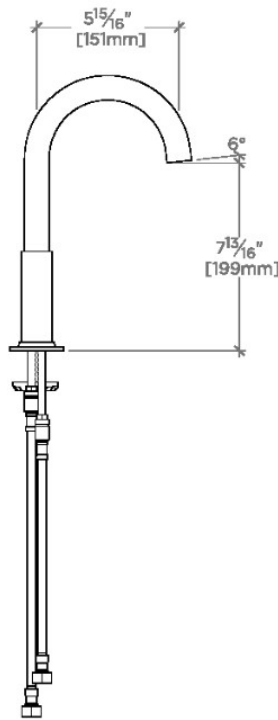
NOTE:
ADAPTER AND GASKET (x2)
INCLUDED INTERNATIONAL USE
ONLY



ADAPTER NOT TO SCALE



FRONT VIEW SCALE: 1/2"=1'-0"



SIDE VIEW SCALE: 1/2"=1'-0"