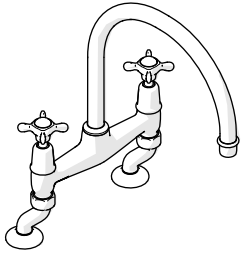
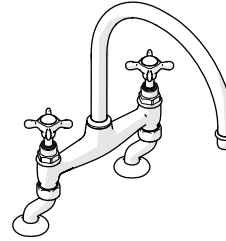


INSTALLATION GUIDELINES



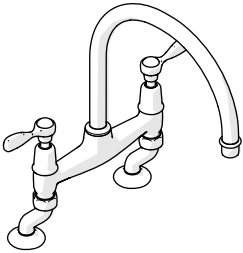
STYLE No. EAKM01

Easton Classic Gooseneck Two Hole Kitchen Mixer with Metal Cross Handle



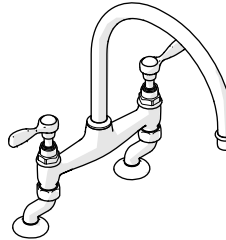
STYLE No. EAKM11

Easton Vintage Gooseneck Two Hole Kitchen Mixer with Metal Cross Handle



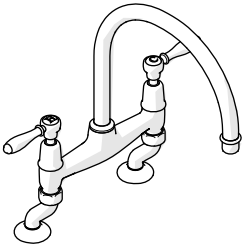
STYLE No. EAKM02

Easton Classic Gooseneck Two Hole Kitchen Mixer with Metal Lever Handle



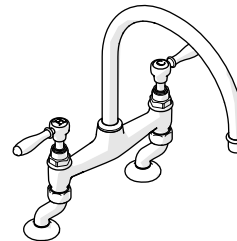
STYLE No. EAKM12

Easton Vintage Gooseneck Two Hole Kitchen Mixer with Metal Lever Handle



STYLE No. EAKM03

Easton Classic Gooseneck Two Hole Kitchen Mixer with White Porcelain Lever Handle



STYLE No. EAKM13

Easton Vintage Gooseneck Two Hole Kitchen Mixer with White Porcelain Lever Handle

STYLE No. EAKM04

Easton Classic Gooseneck Two Hole Kitchen Mixer with Black Porcelain Lever Handle

STYLE No. EAKM14

Easton Vintage Gooseneck Two Hole Kitchen Mixer with Black Porcelain Lever Handle

STYLE No. EAKM05

Easton Classic Gooseneck Two Hole Kitchen Mixer with Oak Lever Handle

STYLE No. EAKM15

Easton Vintage Gooseneck Two Hole Kitchen Mixer with Oak Lever Handle

INSTALLATION GUIDELINES

IMPORTANT

- To ensure this product is installed properly, you must read and follow these guidelines.
- The owner/user of this product must keep this information for future reference.
- This product must be installed by a professional licensed contractor.
- Be sure your installation conforms to federal state, and local codes. In the State of Massachusetts, all installations must comply with the rules and regulations set forth within 248 CMR.
- Inspect this product to ensure you have all the parts required for proper installation. Product is sold partially assembled but shown fully disassembled for illustrative and service purposes only.
- Use only a strap wrench or protected/smooth-jaw wrench on any finished surface.
- The use of certain plumber's putty may stain stone or tile surfaces.
- If further assistance is required, please contact Product Support at 1-800-927-2120 Monday through Friday, 8am - 6pm EST.
- Refer to the separate Service Parts Documents for available replacement parts.

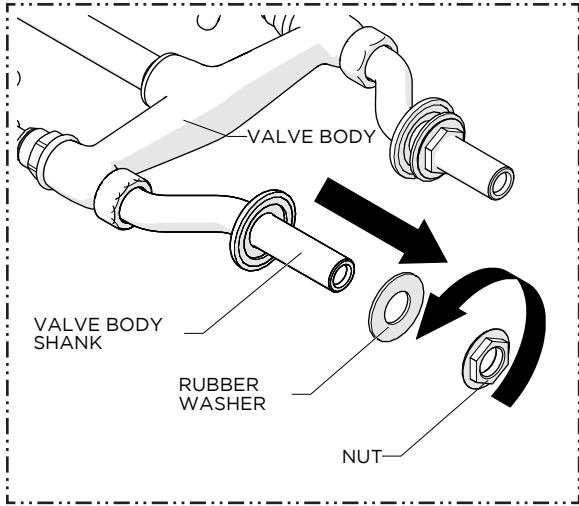
TECHNICAL DETAILS:

DETAIL	SPECIFICATION
DECK THICKNESS	1/4" [6mm] MIN
	1-1/4" [32mm] MAX
FITTINGS HOLE DIAMETER	1" [25mm]
HANDLE SPREAD	7-7/8" [200mm] ADJUSTABLE
HANDLE TURN ANGLE	QUARTER TURN
INLET CONNECTION TYPE	1/2" STRAIGHT MALE THREADS
SPOUT REACH	10-7/16" [265mm]
WATER PRESSURE RANGE	20psi [1.5 bar] MIN
	85psi [6.0 bar] MAX
WATER PRESSURE RECOMMENDED	45psi [3.0 bar]

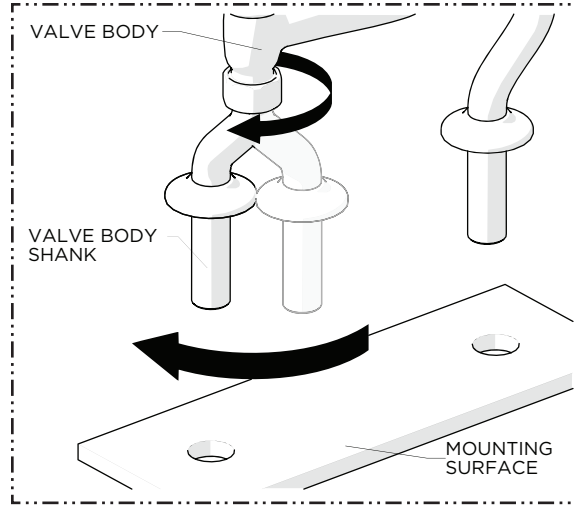
INSTALLATION GUIDELINES

STYLE No. EAKM01, EAKM02, EAKM03, EAKM04, EAKM05
 Easton Classic Gooseneck Two Hole Deck Mounted
 Kitchen Mixer

STYLE No. EAKM11, EAKM12, EAKM13, EAKM14, EAKM15
 Easton Vintage Gooseneck Two Hole Deck Mounted
 Kitchen Mixer

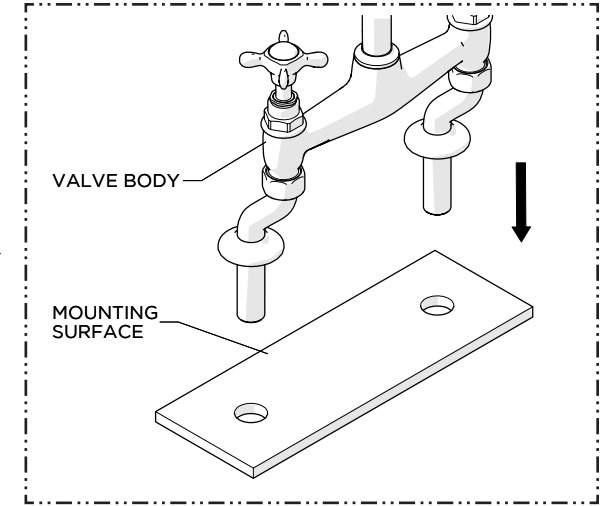


1. Unthread and remove NUT and WASHER from the VALVE BODY SHANK.



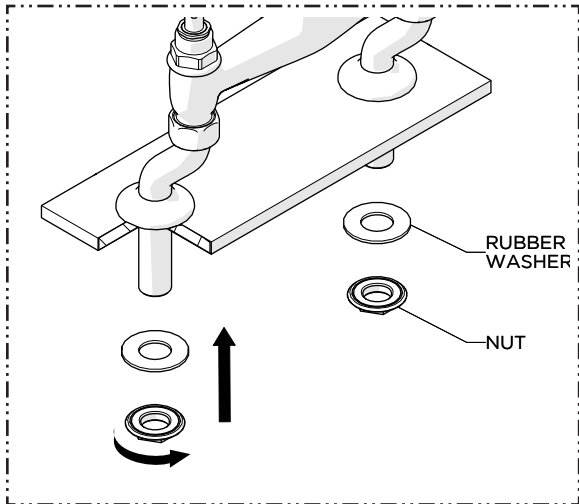
2. Loosen the UNION NUT connecting the VALVE BODY to the valve body shank and rotate the shank to the desired on-center spread. Then securely tighten the UNION NUT.

NOTE: The on-center spread ranges from 5-1/8" [130mm] to 10-5/8" [270mm].

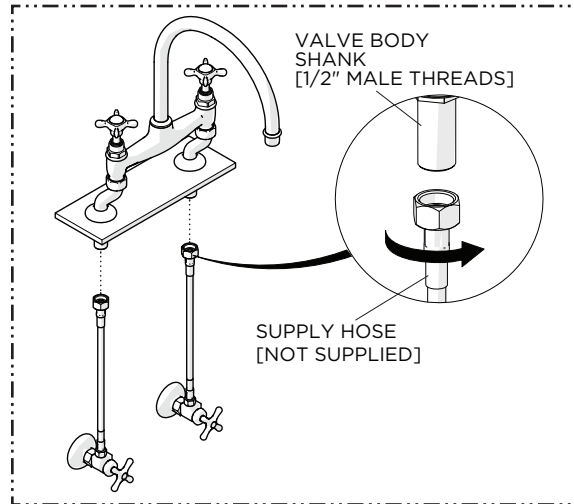


3. Insert the VALVE BODY into the holes of the Mounting Surface.

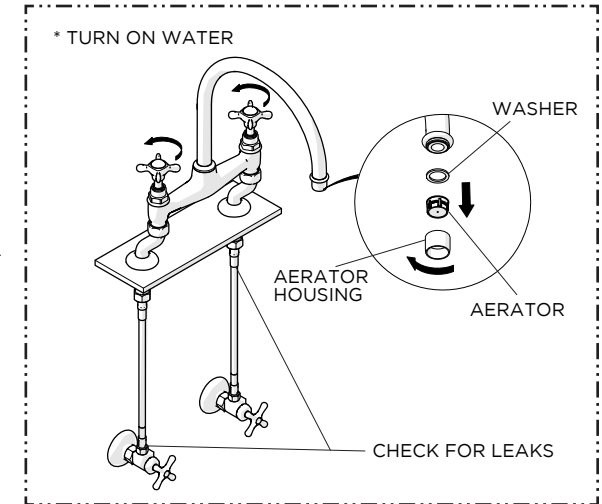
NOTE: A 7-7/8" [200mm] on-center spread positions shanks perpendicular to VALVE BODY.



4. Reinstall the WASHER, making sure the VALVE BODY is in proper orientation then securely tighten the NUT onto the VALVE BODY.

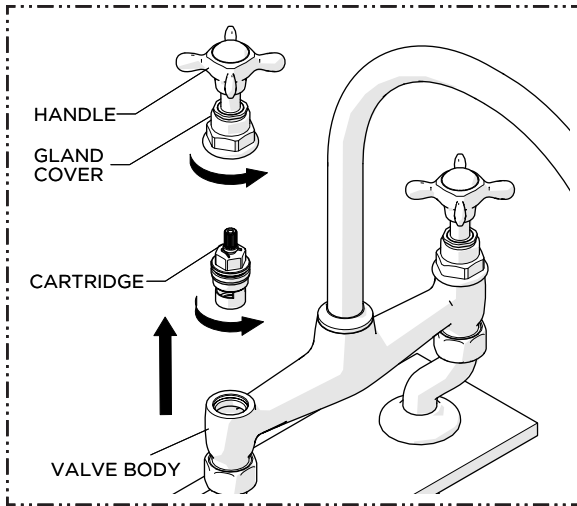


5. Connect final SUPPLY VALVES (sold separately) to VALVE BODY SHANK.



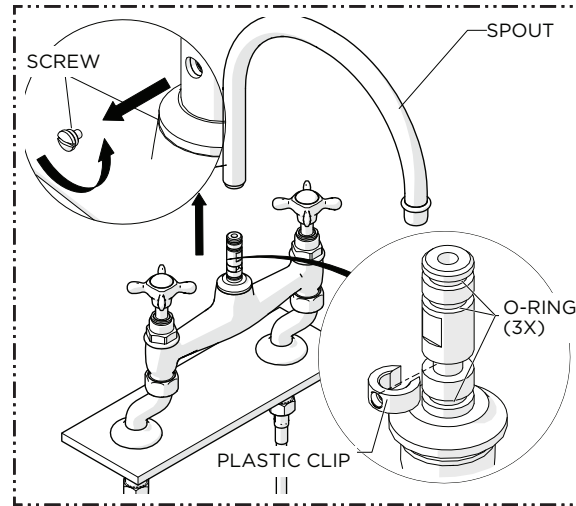
6. Unthread and remove the AERATOR then turn on the water to flush out any debris in the supply lines and inspect all connection for leaks.

SERVICE GUIDELINES



SERVICING THE CARTRIDGE

1. Unthread the GLAND COVER and pull the HANDLE off to expose the CARTRIDGE then unthread and remove the CARTRIDGE using a $21/32$ " [17mm] wrench.



SERVICING THE SPOUT

2. Remove the SCREW at the base of the SPOUT then remove the SPOUT to expose the POST and external O-RINGS.