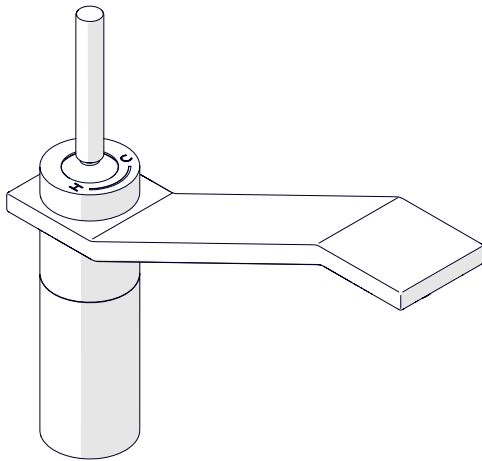


FORMWORK

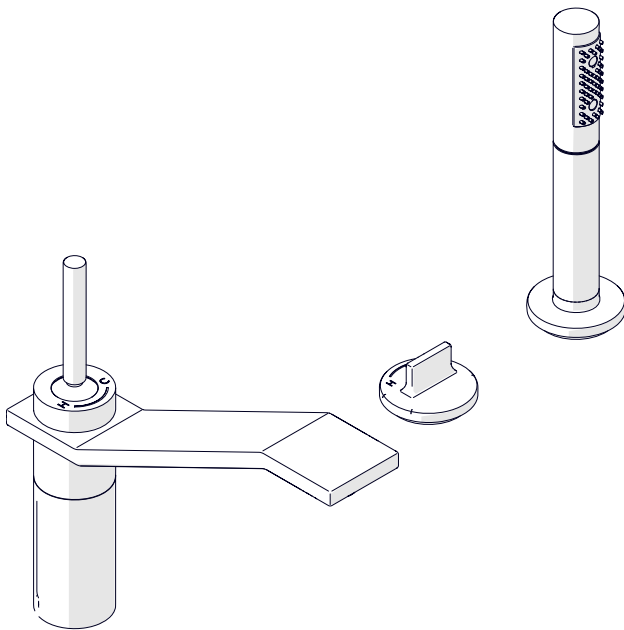
Single Hole Deck Mounted Tub Fillers

INSTALLATION GUIDELINES

Style No. FMXT30



Style No. FMXT50



SPECIFICATIONS:

- Fitting Hole Diameter: Ø1-1/2"
- Inlet Connection Size: 1/2"
- Inlet Connection Type: Female Hose Connection
- Deck Thickness: 1/4" MIN - 1-5/16" MAX
- Water Pressure: 20 psi MIN - 80 psi MAX
- Recommended Water Pressure: 45 psi
- Restricted Maximum Flow Rate: 2.5 gpm (FMXT50 Handshower)

IMPORTANT:

- To ensure this product is installed properly, you must read and follow these guidelines. The owner/user of this product must keep this information for future reference.

- Be sure your installation conforms to federal, state, and local codes. In the State of Massachusetts, all installations must comply with the rules and regulations set forth within 248 CMR.
- This product must be installed by a professional licensed contractor.
- Inspect this product to ensure you have all the parts required for proper installation.
- Use only a strap wrench or protected/smooth-jaw wrench on any finished surface.
- The use of certain plumber's putty may stain stone or tile surfaces.
- An access panel must be installed for servicing and installation.
- Install accessible hot and cold service stop valves to facilitate servicing.
- **Note: The FMXT50 handshower works independently of the tub spout. Hot & Cold connections must be made to both the tub spout and handshower control separately.**

SPOUT INSTALLATION:

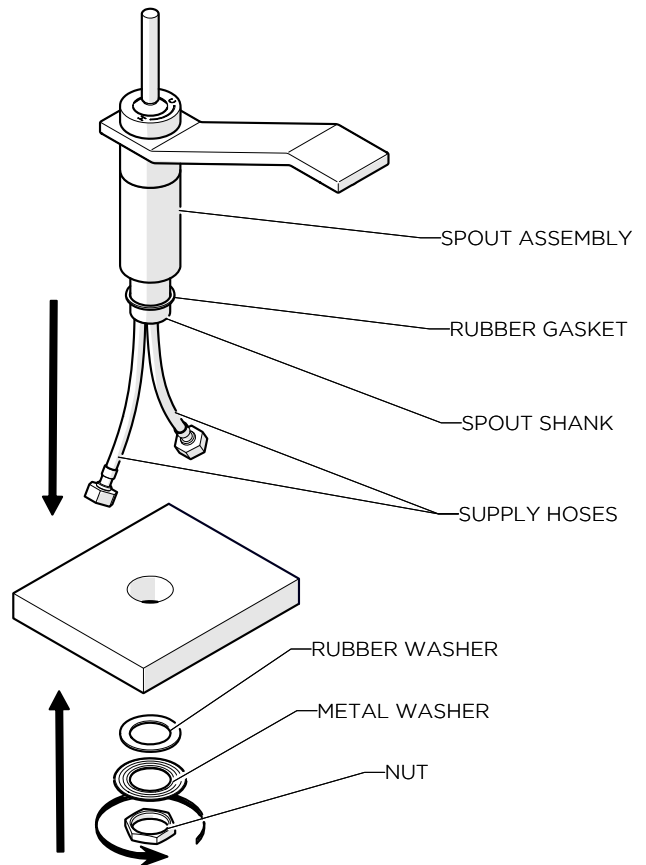


FIGURE - 01

These guidelines have been prepared for the professional contractor to aid in the installation of: FORMWORK DECK MOUNTED EXPOSED TUB FILLER (STYLE# FMXT30) AND DECK MOUNTED EXPOSED TUB FILLER WITH HANDSHOWER (STYLE# FMXT50). All dimensions are based on original specification and are subject to change and variation. Please consult your Design Associate for current specifications.

WATERWORKS

FORMWORK

Single Hole Deck Mounted Tub Fillers

INSTALLATION GUIDELINES

➤ See Figure 1. for Steps 1-3.

1. Remove the NUT, METAL WASHER, RUBBER WASHER from the bottom of the SPOUT SHANK.
2. Insert the SPOUT ASSEMBLY with the SUPPLY HOSES & SPOUT SHANK through the hole on the mounting surface making sure the RUBBER GASKET is underneath the spout.
3. Re-install the RUBBER WASHER, METAL WASHER & NUT (in that order). Tighten the NUT to secure the spout.

HANDSHOWER INSTALLATION (FMXT50 ONLY):

➤ See Figure 2 for steps 4 - 7.

➤ **Note: The FMXT50 handshower works independently of the tub spout. Hot & Cold connections must be made to both the tub spout and handshower control separately.**

4. Remove the NUT, METAL WASHER, RUBBER WASHER, & PLASTIC SPACER from the bottom of the VALVE BODY.
5. Place the VALVE BODY, THREADED ROD, both SUPPLY HOSES, OUTLET HOSE, & CHECK VALVE HOUSING through the hole in the mounting surface.
6. From under the mounting surface, place SUPPLY HOSES and OUTLET HOSE, with CHECK VALVE HOUSING through the PLASTIC SPACER.
7. Reinstall RUBBER WASHER, METAL WASHER and NUT onto the THREADED ROD. Tighten the NUT to secure the VALVE BODY.

➤ See Figure 3 for steps 8 & 9.

8. With the VALVE BODY secured, place the ESCUTCHEON onto CARTRIDGE STEM and thread the ESCUTCHEON into the VALVE BODY, making sure the O-RING is underneath. Note: Checking for handle alignment can be done at this step.
9. Make sure the PLASTIC WASHER is fit into the groove on the top of the ESCUTCHEON, then place HANDLE onto the base and press firmly until it is fully seated onto the stem of the handle base. Tighten SET SCREW to fix the HANDLE onto HANDLE BASE.

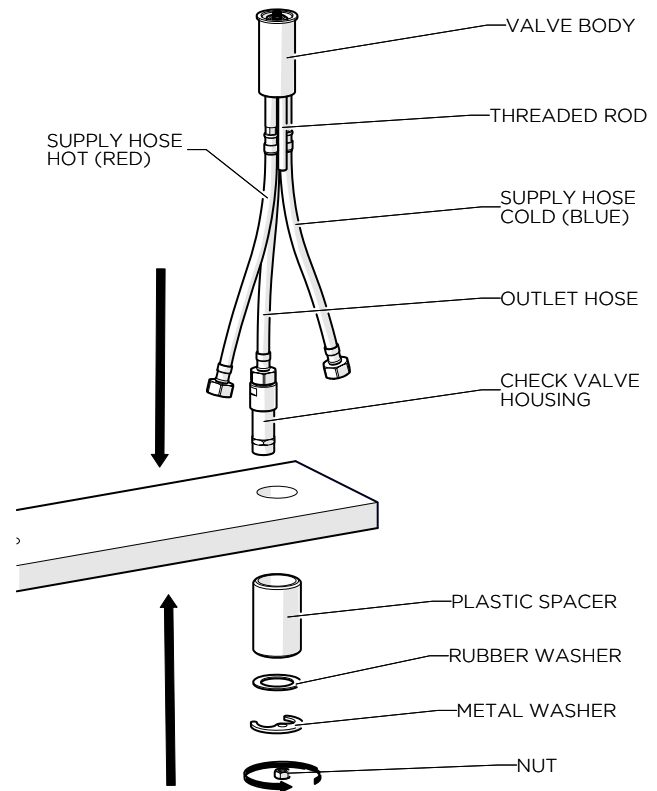


FIGURE - 02

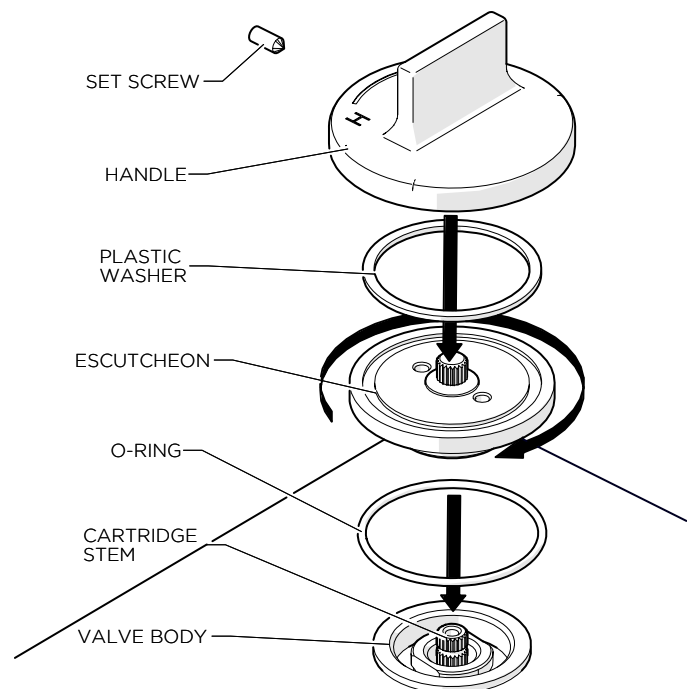


FIGURE - 03

These guidelines have been prepared for the professional contractor to aid in the installation of: FORMWORK DECK MOUNTED EXPOSED TUB FILLER (STYLE# FMXT30) AND DECK MOUNTED EXPOSED TUB FILLER WITH HANDSHOWER (STYLE# FMXT50). All dimensions are based on original specification and are subject to change and variation. Please consult your Design Associate for current specifications.

WATERWORKS

FORMWORK

Single Hole Deck Mounted Tub Fillers

INSTALLATION GUIDELINES

- See Figure 4 for steps 10 - 12.
- 10. Remove NUT, METAL WASHER, & RUBBER WASHER from the bottom of the SHANK.
- 11. Place ESCUTCHEON & SHANK through the hole in the mounting surface, making sure the O-RING is underneath.
- 12. Reinstall RUBBER WASHER, METAL WASHER & NUT to secure ESCUTCHEON.

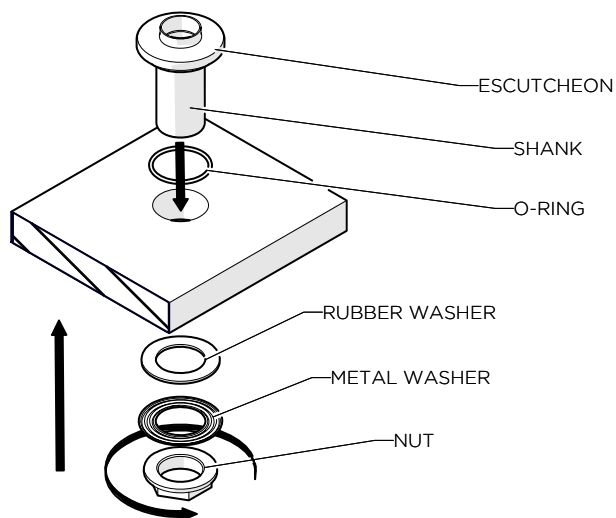


FIGURE - 04

- See Figure 5 for steps 13 - 16.
- 13. Thread CONICAL END of the HANDSHOWER HOSE to the threading on the HANDSHOWER.
- 14. The CHECK VALVE HOUSING should be tightened to the OUTLET HOSE. The BUSHING should be tightened to the CHECK VALVE HOUSING using the RUBBER WASHER in between.
- 15. Thread the HEX END of the HANDSHOWER HOSE to the BUSHING that is connected to the CHECK VALVE HOUSING.
- 16. The HANDSHOWER can now be placed into the opening in the ESCUTCHEON.
- Note: The FLOW REGULATING CHECK VALVE is located at the end of the HANDSHOWER and can be accessed by removing the CLIP. The CHECK VALVE is located in the CHECK VALVE HOUSING.

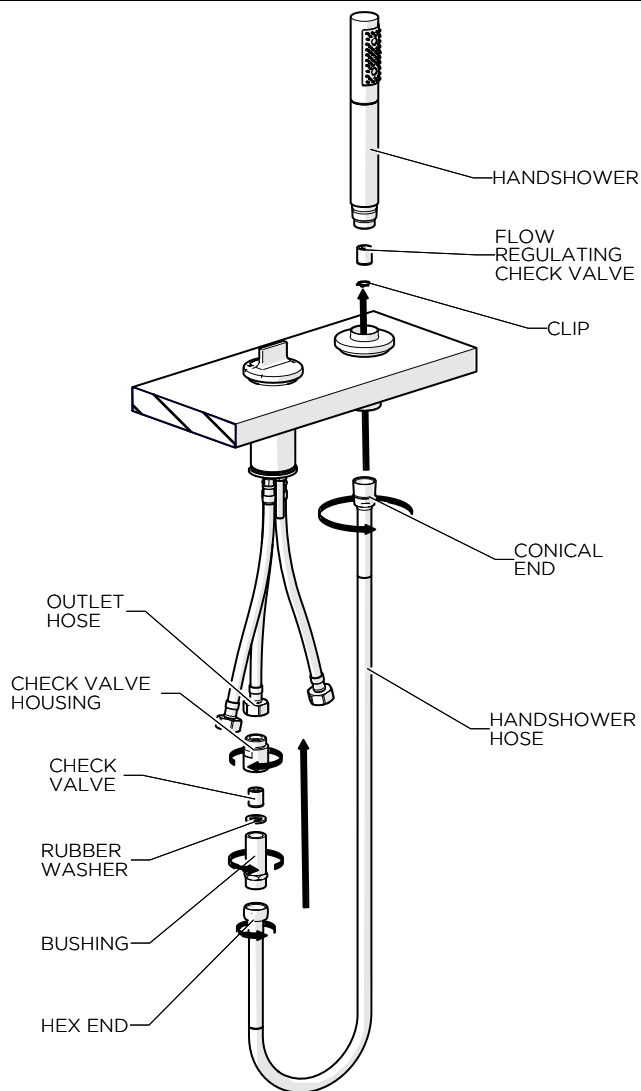


FIGURE - 05

FINISH AND INSPECT THE INSTALLATION:

- 17. Remove the AERATOR using the tool provided then turn on the water supply and operate the JOYSTICK HANDLE to ensure that it is functioning properly.
- 18. Flush out any debris in the supply lines before operating the HANDSHOWER if applicable.
- FMXT50 ONLY: To operate the HANDSHOWER turn the KNOB HANDLE on the mounting surface. A PROGRESSIVE CARTRIDGE controls on, off and temperature for the HANDSHOWER independently from the SPOUT.
- 19. Inspect all connections for leaks then turn off the water.
- 20. Re-install the aerator.

These guidelines have been prepared for the professional contractor to aid in the installation of: FORMWORK DECK MOUNTED EXPOSED TUB FILLER (STYLE# FMXT30) AND DECK MOUNTED EXPOSED TUB FILLER WITH HANDSHOWER (STYLE# FMXT50). All dimensions are based on original specification and are subject to change and variation. Please consult your Design Associate for current specifications.

WATERWORKS

FORMWORK

Single Hole Deck Mounted Tub Fillers

INSTALLATION GUIDELINES

SERVICE THE CARTRIDGE:

- See Figure 6 for steps 21 & 22.
- 21. Remove the SET SCREW from the back of the joystick HANDLE and lift handle to remove COVER & HANDLE.
- 22. Unthread RETAINING COLLAR to remove CARTRIDGE from SPOUT ASSEMBLY.

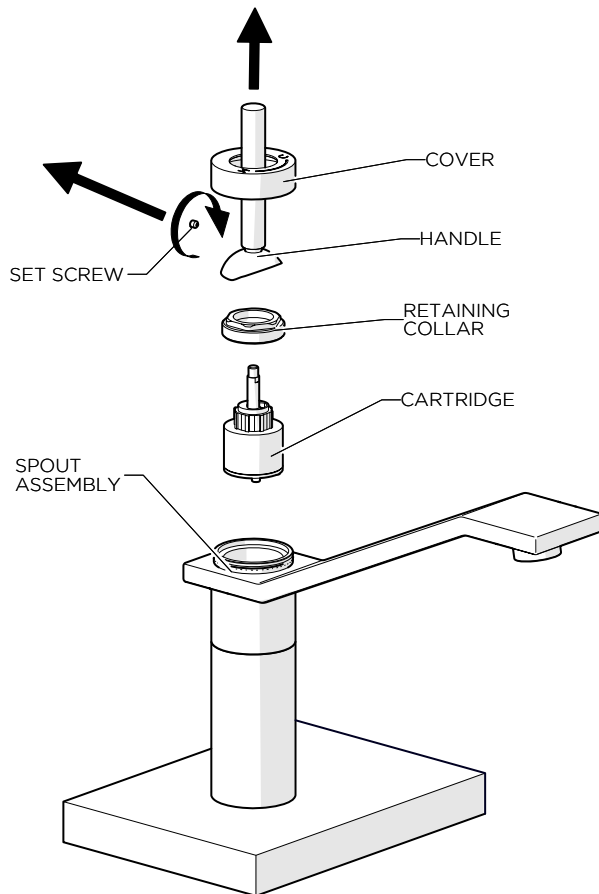


FIGURE - 06

- See Figure 7 for steps 23 - 26 (For FMXT50 only).
- 23. Remove and UNTHREAD the SET SCREW from the back of the HANDLE and lift handle to remove.
- 24. Unthread the ESCUTCHEON from the VALVE BODY.
- 25. Unthread the RETAINING COLLAR from the VALVE BODY to access PROGRESSIVE CARTRIDGE.

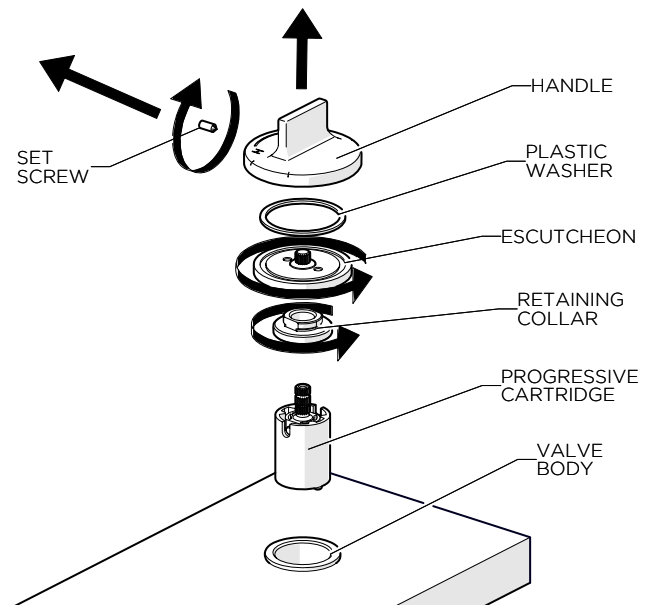


FIGURE - 07
(For FMXT50 only)

- If further assistance is required, please contact Product Support at 1-800-927-2120 (8am-6pm EST).
- See service part document for parts ordering, available on WATERWORKS.COM.
- * Putty contains oils and can cause permanent discoloration on certain materials such as marble, granite and any porous surface.

These guidelines have been prepared for the professional contractor to aid in the installation of: FORMWORK DECK MOUNTED EXPOSED TUB FILLER (STYLE# FMXT30) AND DECK MOUNTED EXPOSED TUB FILLER WITH HANDSHOWER (STYLE# FMXT50). All dimensions are based on original specification and are subject to change and variation. Please consult your Design Associate for current specifications.

WATERWORKS