

## PORTSMOUTH

PHHW06

Portsmouth 6" Pull



SHOWN IN PORTSMOUTH 6" PULL | PHHW06

### TECHNICAL DETAILS

Height: 2 1/4"  
Length: 6 15/16"  
Primary Material: Brass

### INSPIRATION

Imbued with the spirit of fine 18th-century American furniture hardware, Portsmouth pulls retain the authentic heft and hand-polished character of period originals. This thoughtful reinterpretation honors historical proportion while meeting contemporary demands.

### CODES & STANDARDS

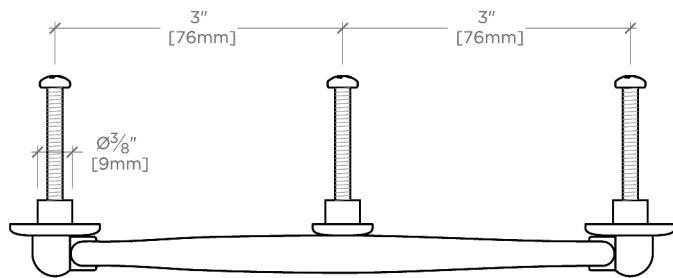
### PRODUCT FEATURES

- Solid Brass
- Cast Metal
- Hand-polished
- Includes fixing screws

### CERTIFICATIONS

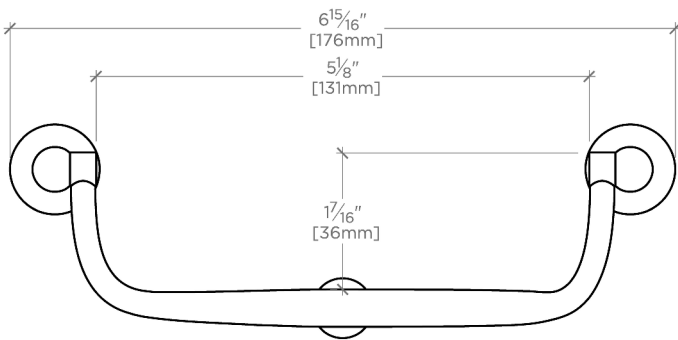
Replacement Screws available  
**PRODUCT (NOTES)**

Portsmouth 6" Pull



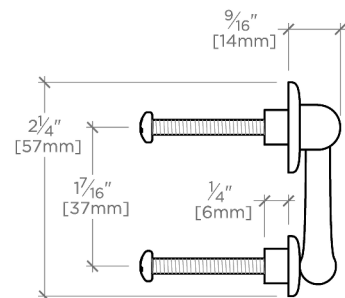
TOP VIEW

SCALE: 6"=1'-0"



FRONT VIEW

SCALE: 6"=1'-0"



SIDE VIEW

SCALE: 6"=1'-0"