

Dash

DSTH33

Dash Metal Lever Handle Thermostatic with Metal Cross Handle Three Way Diverter Trim



SHOWN IN DASH METAL LEVER HANDLE THERMOSTATIC WITH METAL CROSS HANDLE THREE WAY DIVERTER TRIM | DSTH33

TECHNICAL DETAILS

ADA Compliance: Yes
 Depth/Width: 116 mm
 Escutcheon Primary Material: Brass
 Fittings Hole Diameter: 133 mm
 Handle Spread Maximum: 144 mm
 Handle Spread Minimum: 144 mm
 Handle Turn Angle: Full Turn
 Height: 319 mm
 Installation Type: Wall Mounted
 Integrated Diverter: Y
 Length: 171 mm
 Number Of Handles: Two
 Primary Material: Brass
 Suggested Application: Bath

INSPIRATION

A blend of art and function, Dash pays homage to design elements of the 1930s with pared-down shapes, softened curves and minimal details.

CODES & STANDARDS

State of MA

PRODUCT FEATURES

Metal Cross Handle

The thermostatic valve and three way diverter trims are housed neatly together on an oval back plate for a clean install in the shower.

Stocked in Nickel, Chrome, Unlacquered Brass, and Matte Nickel finishes

Requires valve rough sold separately

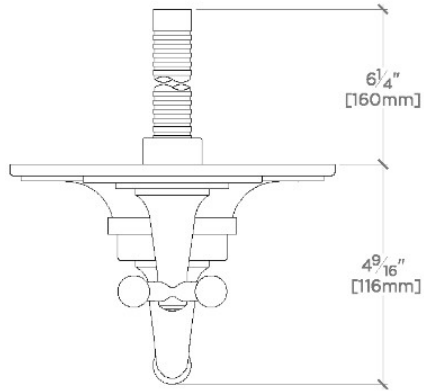
CERTIFICATIONS

Product Requires Universal Thermostatic Valve with
PRODUCT NOTE: Diverter with Shutoff Valve
 [GUTH50]. Valve Sold Separately.

Dash

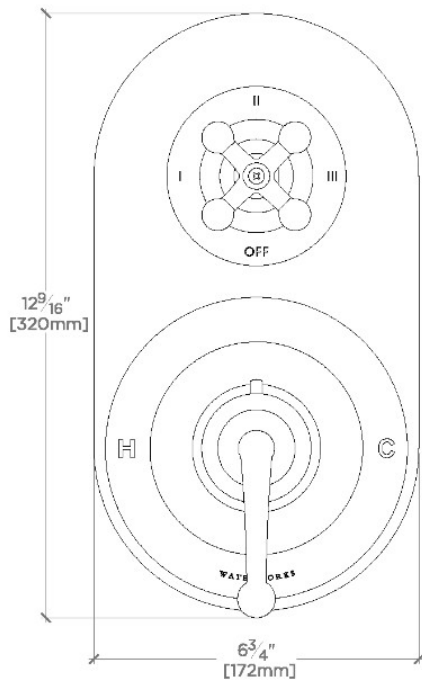
DSTH33

Dash Metal Lever Handle Thermostatic with Metal Cross
Handle Three Way Diverter Trim



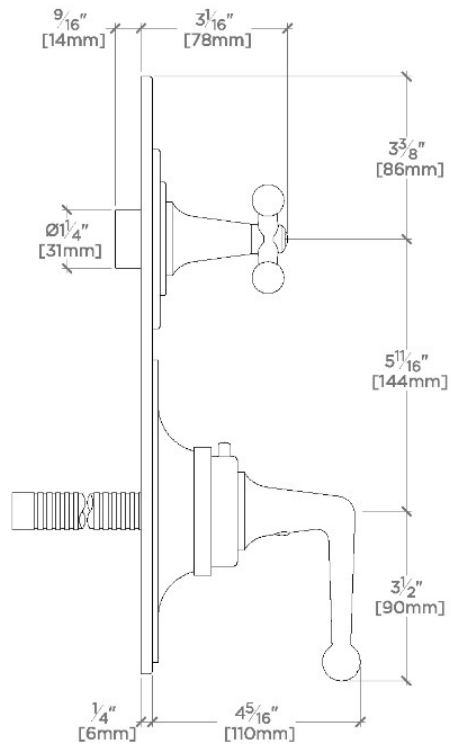
TOP VIEW

SCALE: 3"=1'-0"



FRONT VIEW

SCALE: 3"=1'-0"



SIDE VIEW

SCALE: 3"=1'-0"