

## UNIVERSAL

## UNMS38

Universal Angle Faucet Supply Kits 1/2" IPS x 3/8" O.D.  
Compression



SHOWN IN UNIVERSAL ANGLE FAUCET SUPPLY KITS 1/2" IPS X 3/8" O.D. COMPRESSION | UNMS38

### TECHNICAL DETAILS

ADA Compliance: No  
Depth/Width: 8"  
Escutcheon Primary Material: Brass  
Height: 13 5/8"  
Inlet Connection Size: 1/2"  
Inlet Connection Type: IPS  
Length: 12 1/4"  
Outlet Connection Size: 3/8"  
Outlet Connection Type: Compression  
Primary Material: Brass  
Suggested Application: Bath  
Valve Material: Brass  
Water Pressure Maximum: 85.0 psi  
Water Pressure Minimum: 20.0 psi  
Water Pressure Recommended: 45.0 psi

### INSPIRATION

Our Universal collection features timeless designs complementing any of our Waterworks. With a wide range of product, from fittings to accessories, Universal adds exquisite proportion and balance to any environment.

### CODES & STANDARDS

UNMS38X, NSF/ANSI/CAN 61:Q < 0.5, NSF/ANSI/CAN 372, ASME A112.18.1/CSA B125.1, State of MA

### PRODUCT FEATURES

Created specifically to complement any bathroom aesthetic, the Universal faucet supply kit adds a timeless touch of elegant to your plumbing.

Made of beautifully hand fitted and hand polished brass, this faucet supply kit has a clean design style that is simple and refined.

Available option that complies with 0.25% Weighted Average Lead Content (WALC).

### CERTIFICATIONS

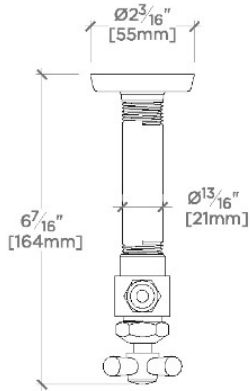


### PRODUCT (NOTES)

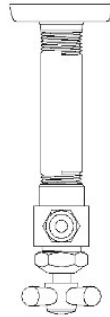
## UNIVERSAL

## UNMS38

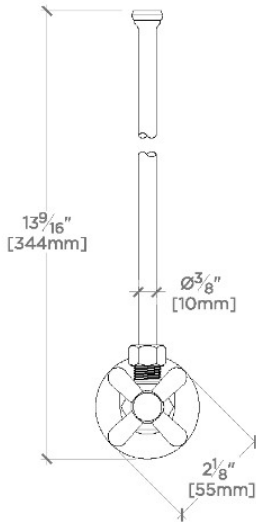
Universal Angle Faucet Supply Kits 1/2" IPS x 3/8" O.D.  
Compression



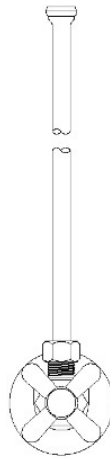
TOP VIEW



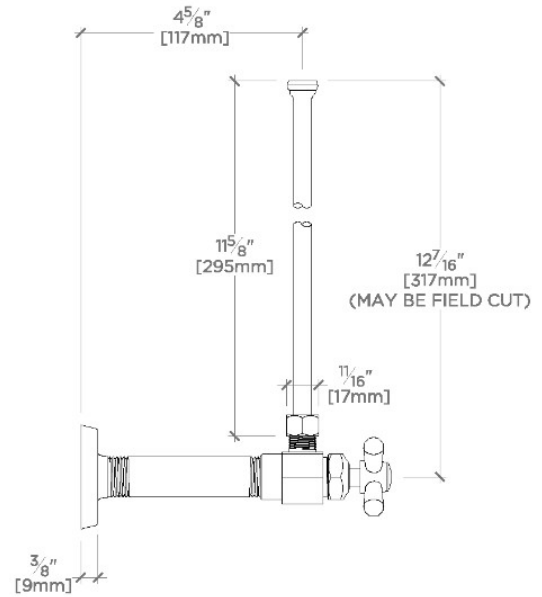
SCALE: 3"=1'-0"



FRONT VIEW



SCALE: 3"=1'-0"



SIDE VIEW

SCALE: 3"=1'-0"