

Henry

HNXS30

Henry Exposed Thermostatic Shower System with 8" Shower Head and Metal Lever and Cross Handle



SHOWN IN HENRY EXPOSED THERMOSTATIC SHOWER SYSTEM WITH 8" SHOWER HEAD AND METAL LEVER AND CROSS HANDLE | HNXS30

TECHNICAL DETAILS

ADA Compliance: Yes
 Adjustable Versus Fixed Spray: Fixed Spray
 Diameter Of Head: 197 mm
 Diameter Of Legs Tubes: 29 mm
 Escutcheon Primary Material: Brass
 Fittings Hole Diameter: 29 mm
 Handle Spread Maximum: 144 mm
 Handle Spread Minimum: 144 mm
 Handle Turn Angle: Quarter Turn
 Handshower Spray Hose Length: 1.5 m
 Inlet Connection Size: 3/4"
 Inlet Connection Type: Copper Compression
 Inlet Supply Spread Maximum: 295 mm
 Inlet Supply Spread Minimum: 283 mm
 Installation Type: Wall Mounted
 Integrated Diverter: N
 Integrated Spray: N
 Number Of Handles: Two
 Number Of Holes: Two Hole
 Pivot: Y
 Primary Material: Brass
 Suggested Application: Bath
 Valve Material: Wax Element
 Water Pressure Maximum: 6.0 bar
 Water Pressure Minimum: 1.5 bar
 Water Pressure Recommended: 3.0 bar

INSPIRATION

Celebrating the connection of industry and art, Henry transitions effortlessly between modern, traditional, and classic settings. These iconic fittings blend 19th-century industrial and artistic references for a look that's forever of the moment—familiar yet wholly original.

CODES & STANDARDS

CEC

PRODUCT FEATURES

Influenced by the connection of industry and art Henry easily transitions between modern, traditional, utilitarian and classic settings

Features an intergrated thermostatic shut-off valve

The Shower Riser is designed to be field cut to accommodate varying shower heights. The exposed diverter body can be installed with the handshower elbow on the right or the left.

Stocked in Nickel, Chrome, Unlacquered Brass, and Matte Nickel finishes

Standard flow rate is 1.75gpm (6.6L/min)

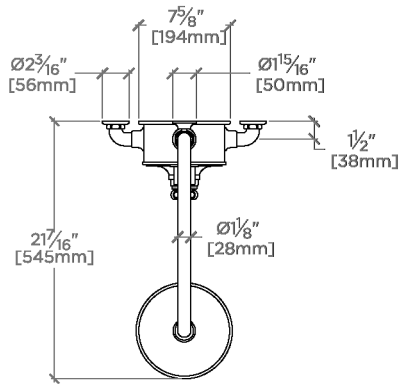
CERTIFICATIONS

PRODUCT (NOTES)

Henry

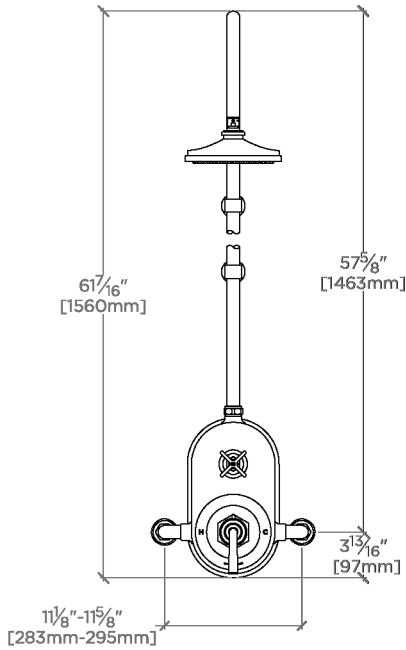
HNXS30

Henry Exposed Thermostatic Shower System with 8" Shower Head and Metal Lever and Cross Handle



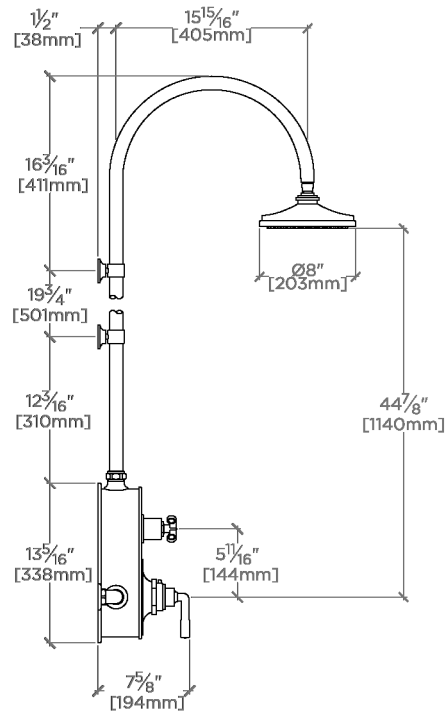
TOP VIEW

SCALE: 3/4"=1'-0"



FRONT VIEW

SCALE: 3/4"=1'-0"



SIDE VIEW

SCALE: 3/4"=1'-0"