

Bond

BTH130

Bond Solo Series Square Thermostatic Control Valve Trim with Knob Handle



SHOWN IN BOND SOLO SERIES SQUARE THERMOSTATIC CONTROL VALVE TRIM WITH KNOB HANDLE | BTH130

TECHNICAL DETAILS

ADA Compliance: Yes
 Integrated Diverter: N
 Number Of Holes: One Hole
 Primary Material: Brass

INSPIRATION

Bond draws inspiration from the Aesthetic Movement, rare vintage lighters, and modern industrial design. The result is a contemporary collection with a soulful quality that inhabits the full range of modern style, from austere minimalism to warm contemporary.

CODES & STANDARDS

ASME A112.18.1/CSA B125.1, State of MA

PRODUCT FEATURES

Knob Handle

Allows bather to adjust temperature of all waterway outlets with a hot limit safety stop providing anti-scald protection

Features Plateable Knob Handle

Stocked in Chrome, Nickel, Brass and Dark Nickel

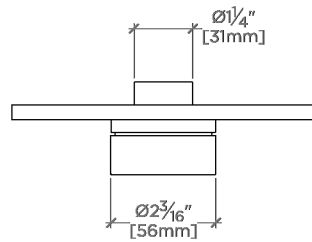
Requires rough valve, sold separately: GUTH56 (1/2") or GUTH38 (3/4")

CERTIFICATIONS



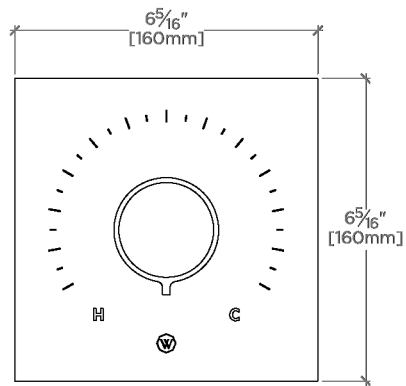
PRODUCT (NOTES)

Bond Solo Series Square Thermostatic Control Valve Trim
with Knob Handle



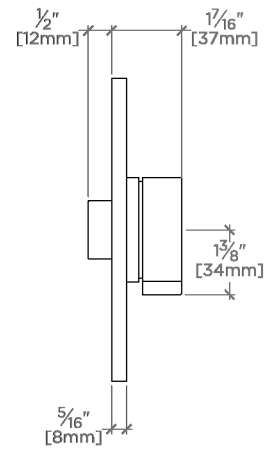
TOP VIEW

SCALE: 3"=1'-0"



FRONT VIEW

SCALE: 3"=1'-0"



SIDE VIEW

SCALE: 3"=1'-0"