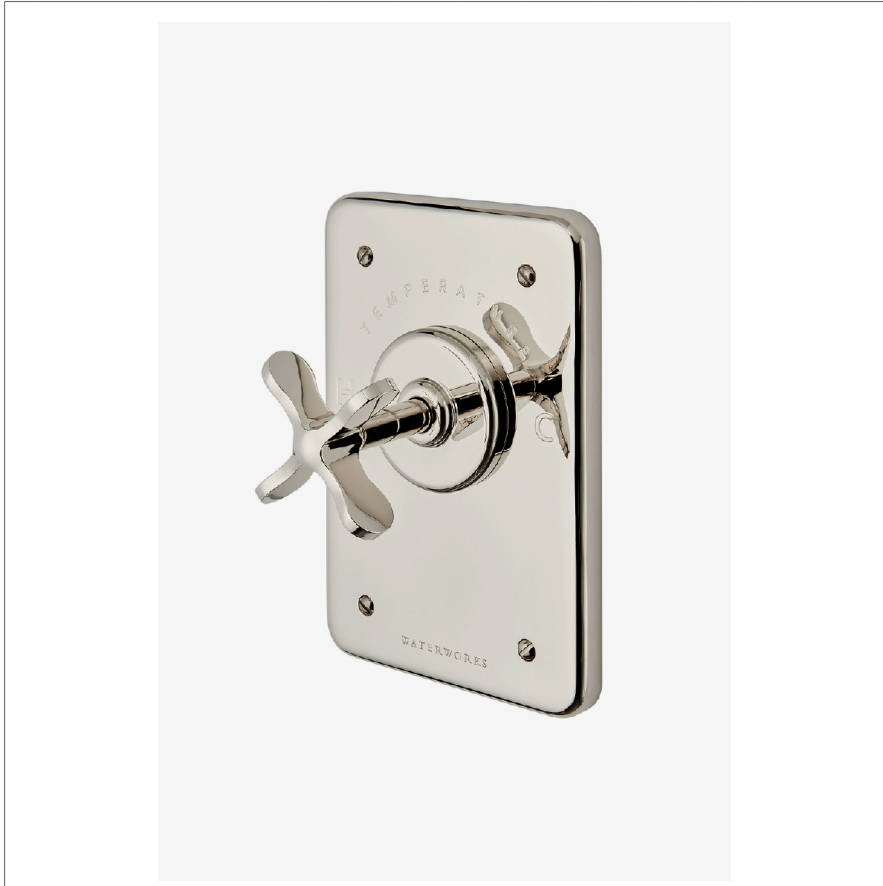


LUDLOW

LDTH02

Ludlow Thermostatic Control Valve Trim with Cross Handle



SHOWN IN LUDLOW THERMOSTATIC CONTROL VALVE TRIM WITH CROSS HANDLE | LDTH02

TECHNICAL DETAILS

ADA Compliance: Yes
Primary Material: Brass

INSPIRATION

Our fresh take on American industrial design comes in three styles, each of them clean-lined, and distinct to Waterworks.

CODES & STANDARDS

ASME A112.18.1/CSA B125.1, State of MA

PRODUCT FEATURES

Cross Handle

Allows bather to adjust temperature of all waterway outlets with a hot limit safety stop providing anti-scald protection

Stocked in a Chrome, Nickel and Brass

Requires rough valve, sold separately: GUTH60 (1/2") or GUTH38 (3/4")

CERTIFICATIONS

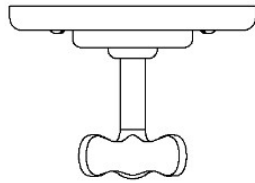


PRODUCT (NOTES)

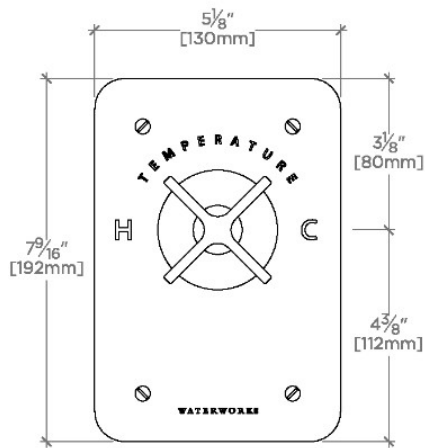
LUDLOW

LDTH02

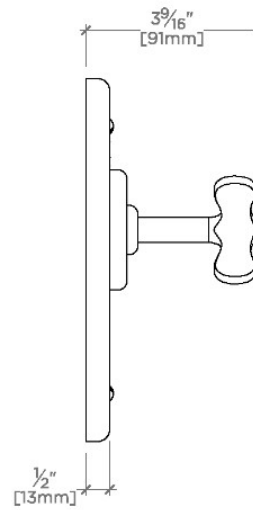
Ludlow Thermostatic Control Valve Trim with Cross Handle



TOP VIEW SCALE: 3"=1'-0"



FRONT VIEW SCALE: 3"=1'-0"



SIDE VIEW SCALE: 3"=1'-0"