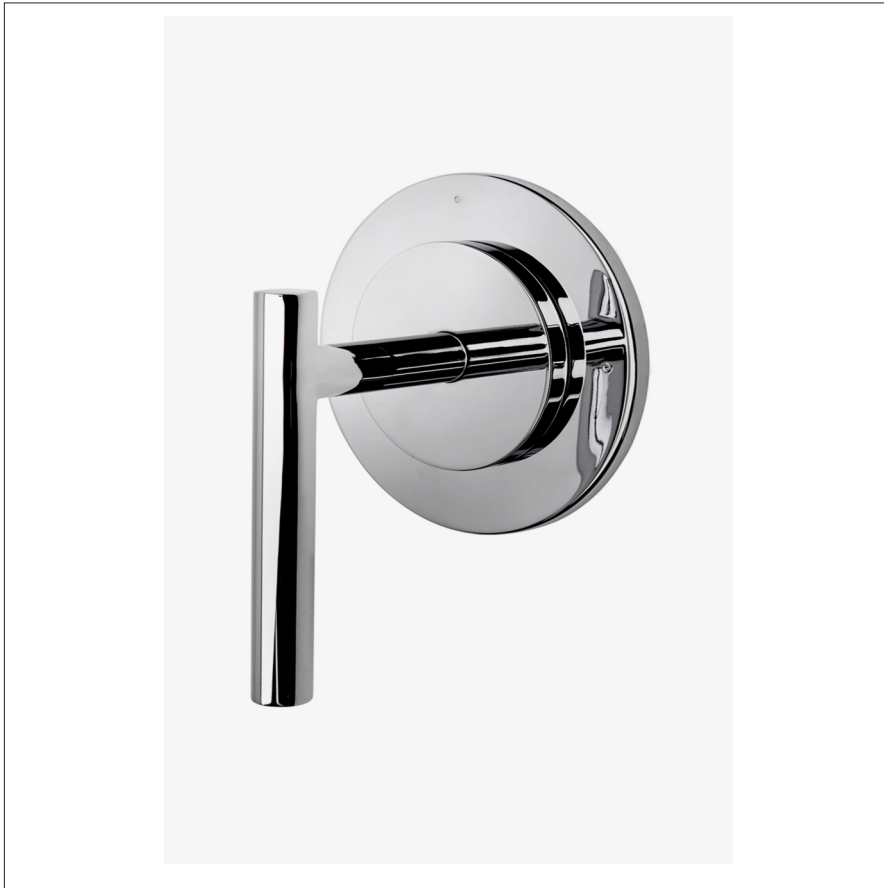


## DECIBEL

DB3P10

Decibel Three Way Diverter Valve Trim for Pressure Balance with Modern Dot and Metal Lever



SHOWN IN DECIBEL THREE WAY DIVERTER VALVE TRIM FOR PRESSURE BALANCE WITH MODERN DOT AND METAL LEVER

### TECHNICAL DETAILS

Control Valve Rough-in Depth Maximum: 5 5/8"  
Control Valve Rough-in Depth Minimum: 3 1/8"  
Escutcheon Primary Material: Brass  
Fittings Hole Diameter: 1 3/8"  
Depth / Width: 3"  
Height: 5"  
Length: 3 3/4"  
Primary Material: Brass  
Water Pressure Maximum: 80.0 psi  
Water Pressure Minimum: 20.0 psi  
Water Pressure Recommended: 45.0 psi

### INSPIRATION

Inspired by classic record players, Decibel gives all the sleekness of contemporary design, enhanced with special detailing.

### PRODUCT FEATURES

Lever Handle

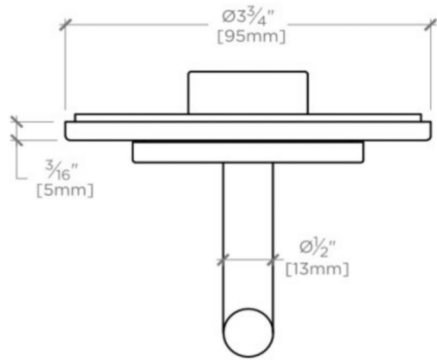
This item is stocked in Chrome and Nickel finishes.

Requires valve rough GUDV65(USA) or GU56DV(UK) sold separately

## DECIBEL

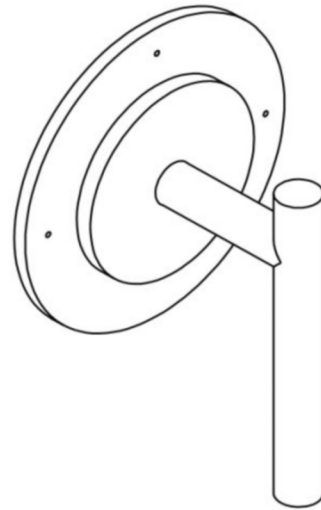
DB3P10

Decibel Three Way Diverter Valve Trim for Pressure Balance with Modern Dot and Metal Lever



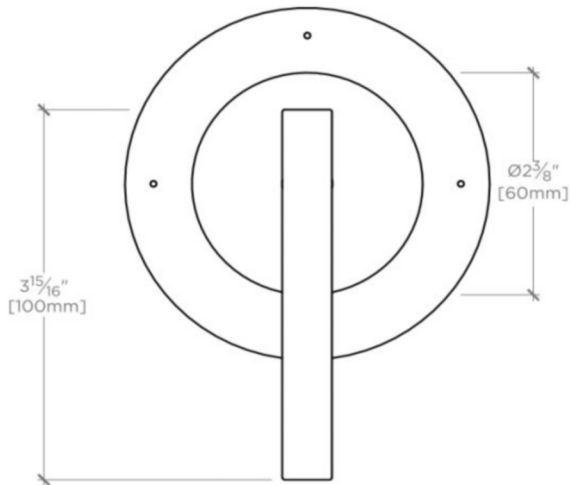
TOP VIEW

SCALE: 6"=1'-0"



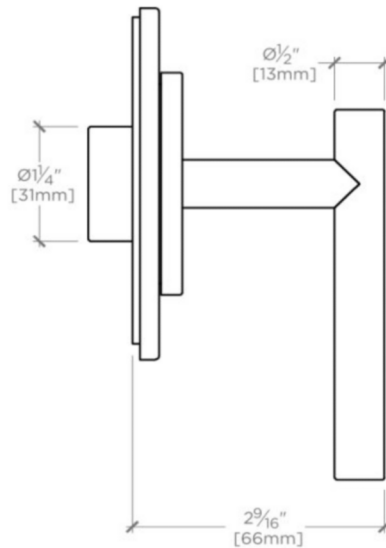
ISO VIEW

SCALE: 6"=1'-0"



FRONT VIEW

SCALE: 6"=1'-0"



SIDE VIEW

SCALE: 6"=1'-0"