

PORTSMOUTH

PHHW04

Portsmouth 4" Pull



SHOWN IN PORTSMOUTH 4" PULL | PHHW04

TECHNICAL DETAILS

Height: 2 1/4"
Length: 4 15/16"
Primary Material: Brass

INSPIRATION

Imbued with the spirit of fine 18th-century American furniture hardware, Portsmouth pulls retain the authentic heft and hand-polished character of period originals. This thoughtful reinterpretation honors historical proportion while meeting contemporary demands.

CODES & STANDARDS

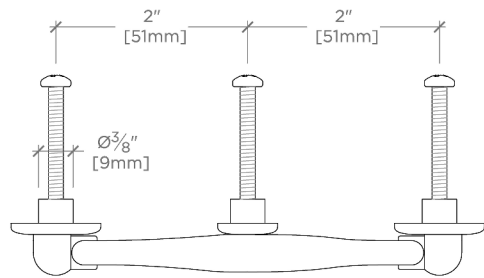
PRODUCT FEATURES

- Solid Brass
- Cast Metal
- Hand-polished
- Includes fixing screws

CERTIFICATIONS

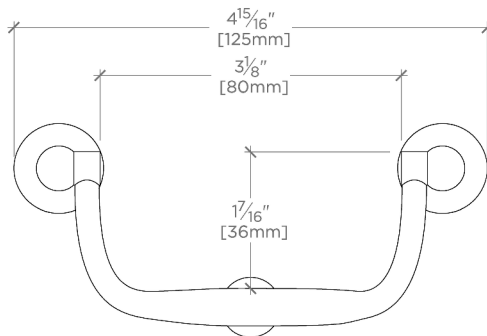
Replacement Screws available
PRODUCT (NOTES)

Portsmouth 4" Pull



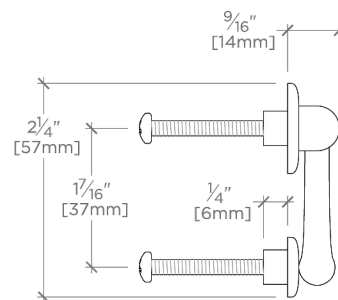
TOP VIEW

SCALE: 6"=1'-0"



FRONT VIEW

SCALE: 6"=1'-0"



SIDE VIEW

SCALE: 6"=1'-0"