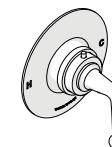


# INSTALLATION GUIDELINES



STYLE No. DSTH10

Dash Thermostatic Control Valve Trim with Metal Lever Handle

## IMPORTANT:

- To ensure this product is installed properly, you must read and follow these guidelines.
- The owner/user of this product must keep this information for future reference.
- This product must be installed by a professional licensed contractor and must be onsite prior to rough-in, this allows the installer to visualize the installation.
- Be sure your installation conforms to federal state, and local codes. In the State of Massachusetts, all installations must comply with the rules and regulations set forth within 248 CMR.
- This product is intended to work with the Waterworks Universal 3/4" Thermostatic Valve (Style No. **GUTH37**) which only mixes hot and cold water. It does not have volume or shut-off capabilities. A diverter or wall valve control on/off/volume and must be installed for each fitting that will have water flowing to it. **ALL VALVES AND TRIMS SOLD SEPARATELY.**
- **WARNING:** GUTH37 features anti-scald protection. The risk of scalding exists until the installer has properly calibrated/adjusted the temperature setting during final trim installation.
- Inspect this product to ensure you have all the parts required for proper installation. Product is sold partially assembled but shown fully disassembled for illustrative and service purposed only.
- Use only a strap wrench or protected/smooth-jaw wrench on any finished surface.
- The use of certain plumber's putty may stain stone or tile surfaces.
- If further assistance is required, please contact Product Support at 1-800-927-2120 Monday through Friday, 8am - 6pm EST.
- Refer to the separate Service Parts Documents for available replacement parts.

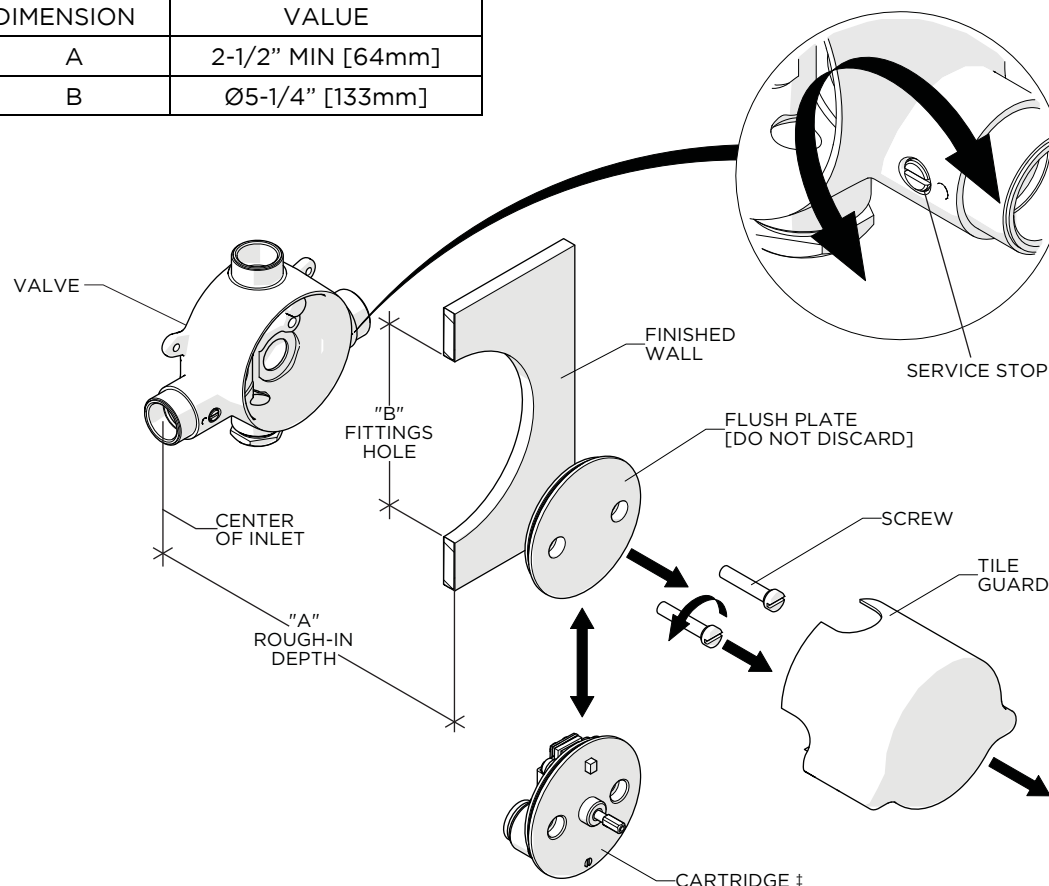
## REQUIRED PLUMBING DETAILS:

- Universal 3/4" Thermostatic Valve  
STYLE No. **GUTH37**

## ROUGH-IN AND VALVE PREPARATION:

- **CAUTION:** Make sure the supply lines are flushed prior to final TRIM installation using the FLUSH PLATE provided with the VALVE. Refer to the Installation Guidelines provided with the VALVE for further information on how to properly flush the supply lines.

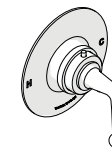
DIMENSION	VALUE
A	2-1/2" MIN [64mm]
B	Ø5-1/4" [133mm]



† **IMPORTANT:** The CARTRIDGE is packaged separately and provided with the VALVE.

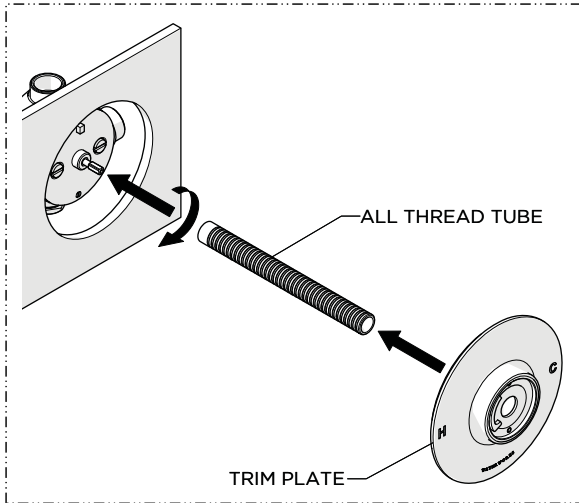
# WATERWORKS

## INSTALLATION GUIDELINES

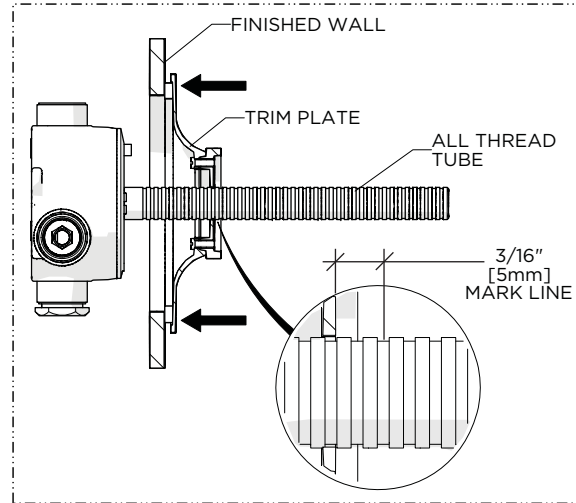


STYLE No. DSTH10

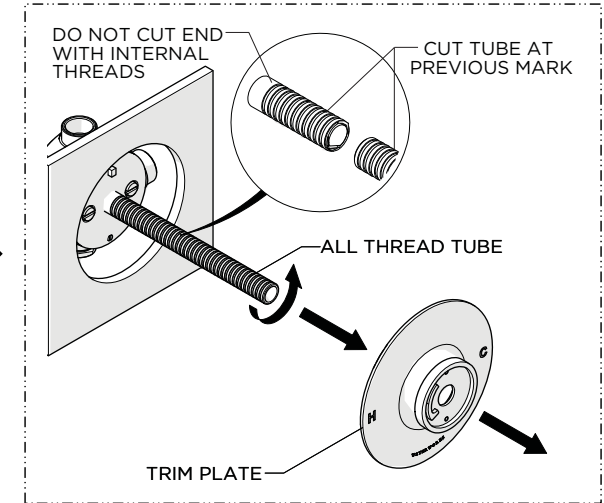
Dash Thermostatic Control Valve Trim with Metal Lever Handle



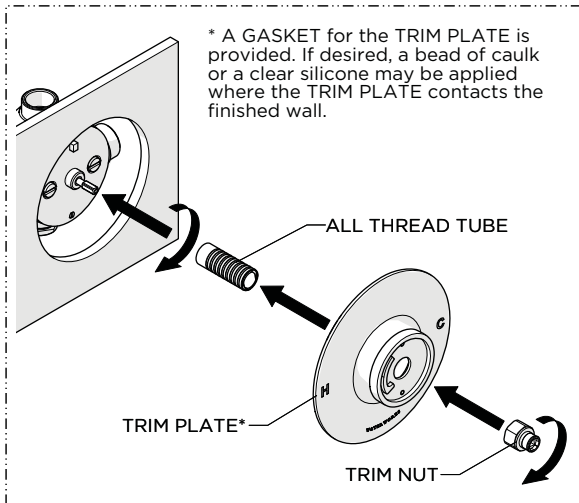
1. Thread the ALL THREAD TUBE onto the CARTRIDGE then slide the TRIM PLATE over the TUBE.



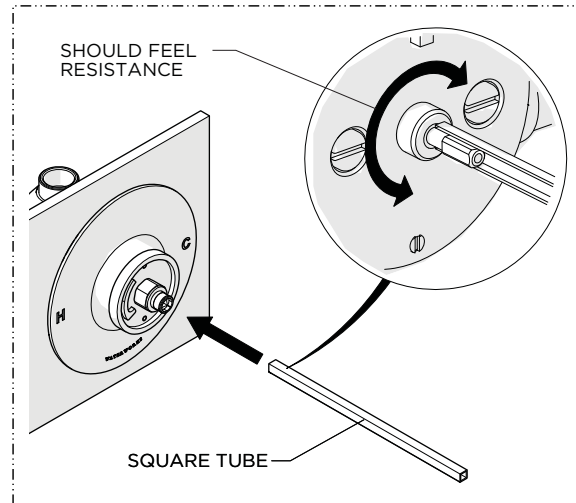
2. Firmly holding the PLATE against the finished wall, mark the TUBE 3/16" [5mm] beyond where it protrude from the PLATE.



3. Remove the TRIM PLATE and ALL THREAD TUBE, then cut the TUBE at the previous mark. Do NOT cut the end with the internal threads.

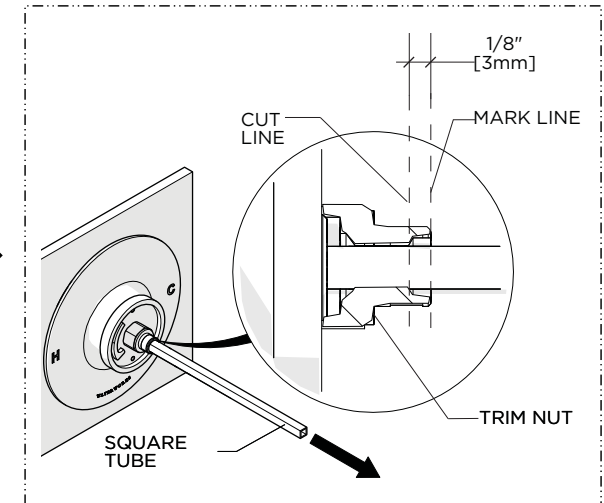


4. Thread the TUBE back onto the CARTRIDGE, slide the PLATE over the TUBE, and thread the TRIM NUT onto the TUBE. Securely tighten to hold the PLATE against the finished wall.



5. Insert the SQUARE TUBE into the TRIM NUT then, by feel, make sure it slides over the CARTRIDGE STEM and is fully seated.

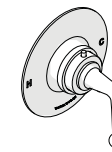
**NOTE:** When seated properly, the TUBE will have rotational resistance.



6. Mark the SQUARE TUBE where it passes through the front face of the TRIM NUT then remove and cut the TUBE 1/8" [3mm] behind the previous mark.

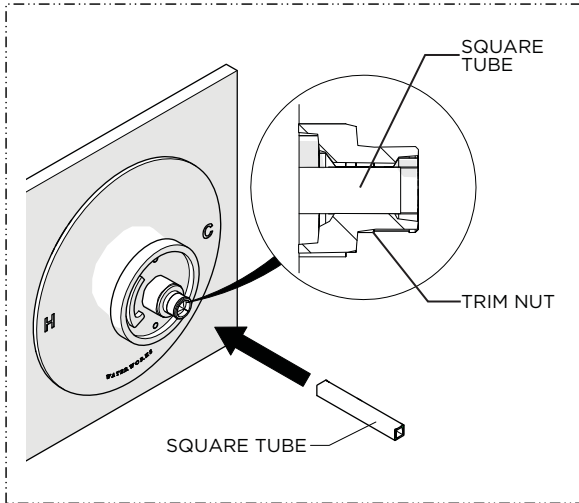
# WATERWORKS

## INSTALLATION GUIDELINES

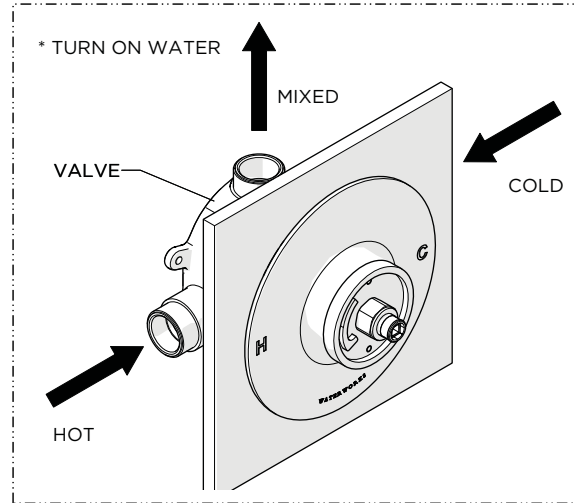


STYLE No. DSTH10

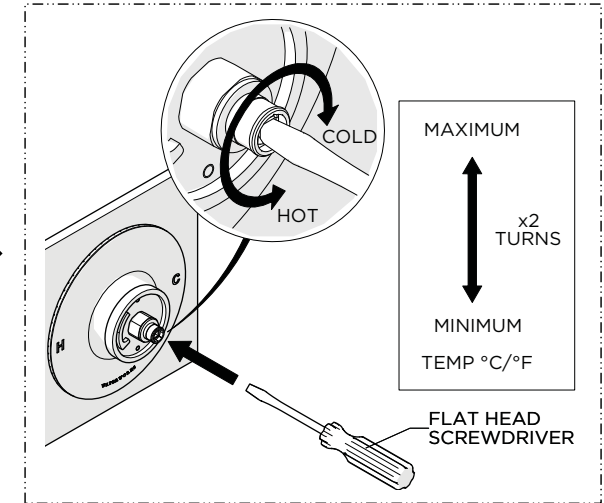
Dash Thermostatic Control Valve Trim with Metal Lever Handle



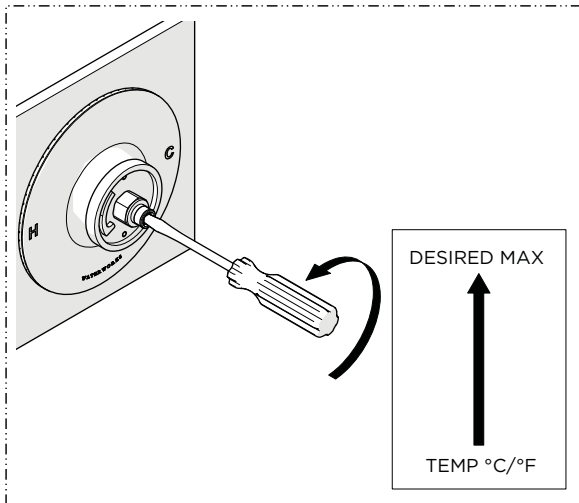
7. Re-insert the SQUARE TUBE back into the TRIM NUT making sure it is slight recessed.



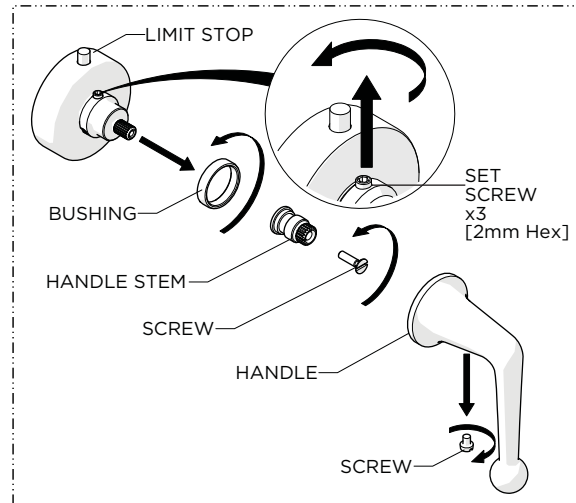
8. Turn on the water supply and open a diverter or wall valve (sold separately) to run water through the thermostatic valve.



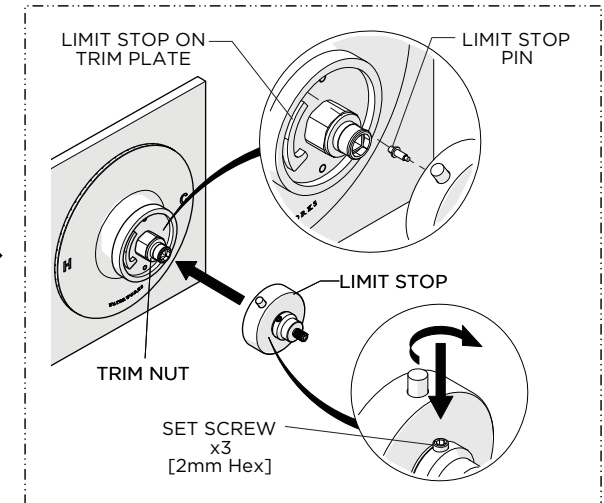
9. Insert a bladed screw driver into the SQUARE TUBE. Slowly rotate the TUBE clockwise to attain full cold then counterclockwise to attain full hot. It's approximately 2 complete rotations. Verify a full range of temperatures exists.



10. With water running, rotate the SQUARE TUBE to adjust the temperature to the maximum desired bathing temperature, verified with a thermometer. Turn the water off and make sure not to change this setting.

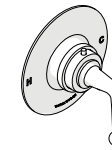


11. Unthread the SCREW, remove the HANDLE, unthread the SCREW, remove the HANDLE STEM, and unthread the BUSHING to expose the SET SCREWS then loosen the SET SCREWS using a 2mm hex key.



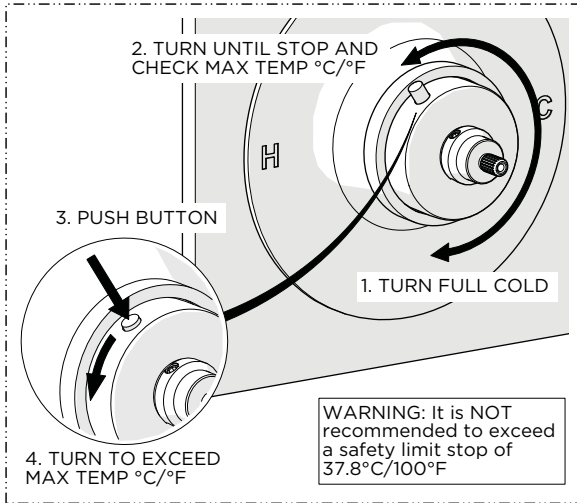
12. Place the LIMIT STOP over the TRIM NUT making sure the LIMIT STOP PIN makes contact with the LIMIT STOP on the TRIM PLATE then tighten the SET SCREWS.

INSTALLATION GUIDELINES



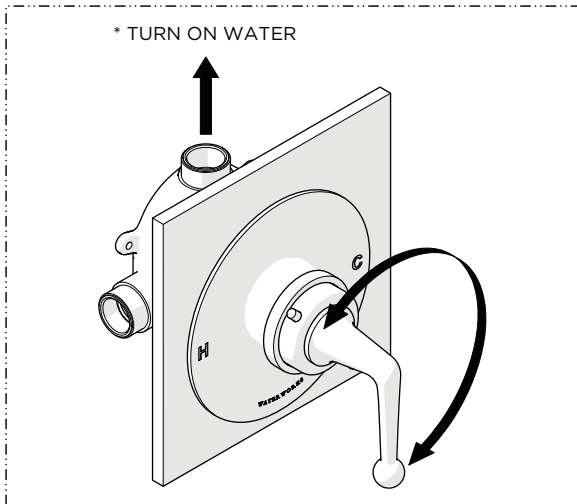
STYLE No. DSTH10

Dash Thermostatic Control Valve Trim with Metal Lever Handle

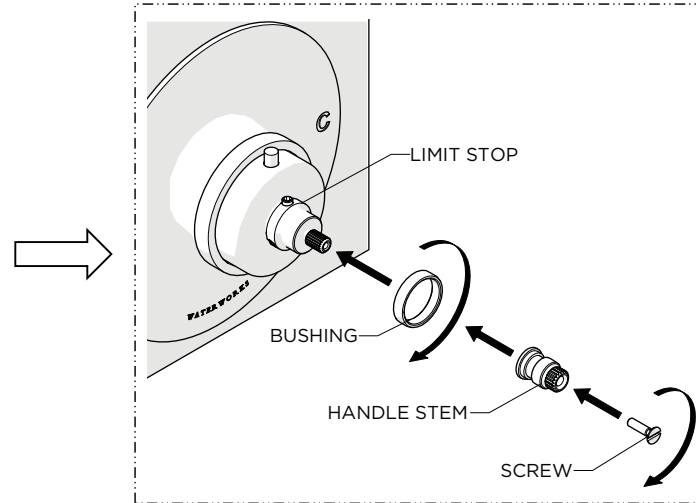


13. Turn the LIMIT STOP to cold then hot and confirm it is functioning properly. Verify the maximum desired bathing temperature. To get a hotter temperature, press and hold the LIMIT STOP BUTTON and turn the LIMIT STOP further.

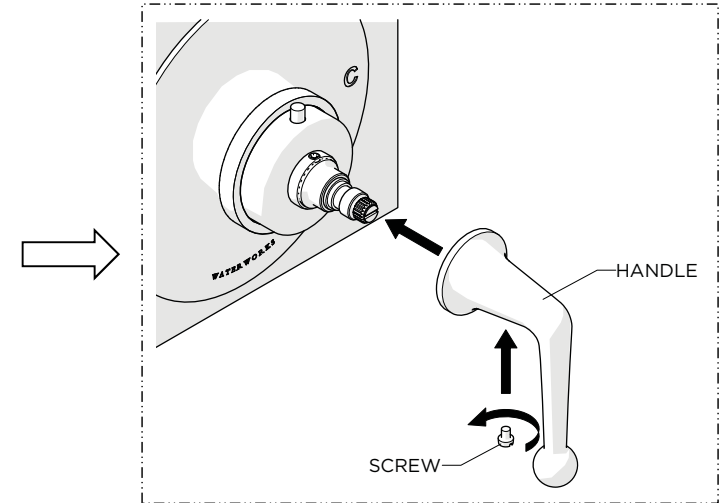
**WARNING:** It is NOT recommended to exceed a safety limit stop of 37.8°C/100°F.



16. Turn on the water supply and operate the HANDLE to ensure that it is functioning properly.



14. Thread the BUSHING back onto the LIMIT STOP, place the HANDLE STEM onto the LIMIT STOP, then thread and securely tighten the SCREW.



15. Place the HANDLE onto the HANDLE STEM in the desired orientation, then thread and securely tighten the SCREW.