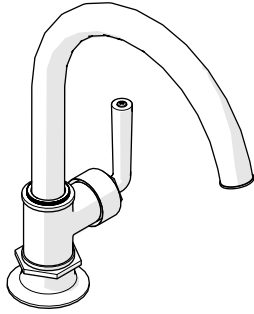


INSTALLATION GUIDELINES

ONE HOLE GOOSENECK KITCHEN FAUCET

HENRY ONE HOLE GOOSENECK KITCHEN FAUCET WITH LEVER HANDLE



STYLE
HKM111

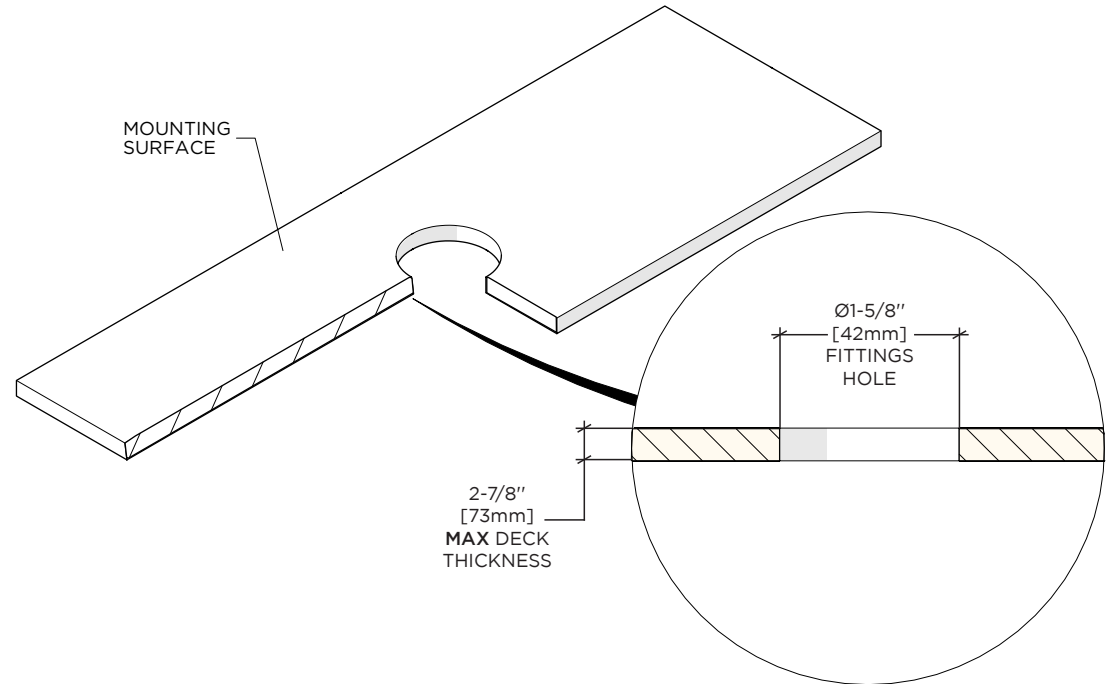
IMPORTANT:

- To ensure this product is installed properly, you must read and follow these guidelines.
- The owner/user of this product must keep this information for future reference.
- This product must be installed by a professional licensed contractor.
- Be sure your installation conforms to all federal, state, and local codes. In the State of Massachusetts, all installations must comply with the rules and regulations set forth within 248 CMR.
- Inspect this product to ensure you have all the parts required for proper installation.
- This product is **sold partially** assembled but shown fully disassembled for illustrative and service purposes only.
- Flushing the SUPPLY VALVES (**sold separately**) prior to installing the BAR FAUCET is recommended. Flushing can prevent damage to the CARTRIDGE and other internal components.
- Use only a strap wrench or protected/smooth-jaw wrench on any finished surface.
- The use of certain plumber's putty may stain stone or tile surfaces.
- If further assistance is required, please contact Product Support at 1-800-927-2120 Monday through Friday, 8am - 6pm EST.
- Refer to the separate Service Parts Documents for available replacement parts.

TECHNICAL DETAILS:

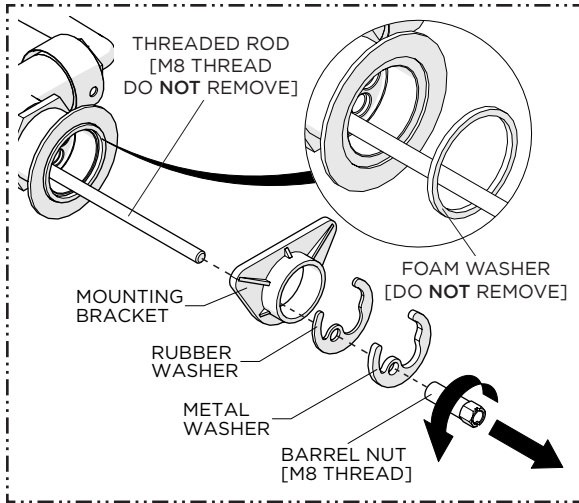
DETAIL	SPECIFICATION
INLET CONNECTION	3/8" COMPRESSION CONNECTOR HOSES †
FITTING HOLE DIAMETER	Ø1-5/8" [42mm]
SPOUT REACH	9-9/16" [243mm]
HANDLE TURN ANGLE	QUARTER TURN
SPOUT SWIVEL	YES
WATER PRESSURE RANGE	20psi [1.5 bar] MINIMUM
	85psi [6.0 bar] MAXIMUM
WATER PRESSURE RECOMMENDED	45psi [3.0 bar]

† For **INTERNATIONAL USE ONLY**, two 9/16"-24 UNEF MALE x 3/8" FEMALE BSPP ADAPTERS (**STYLE No. UNUK08**) and RUBBER WASHERS are provided.



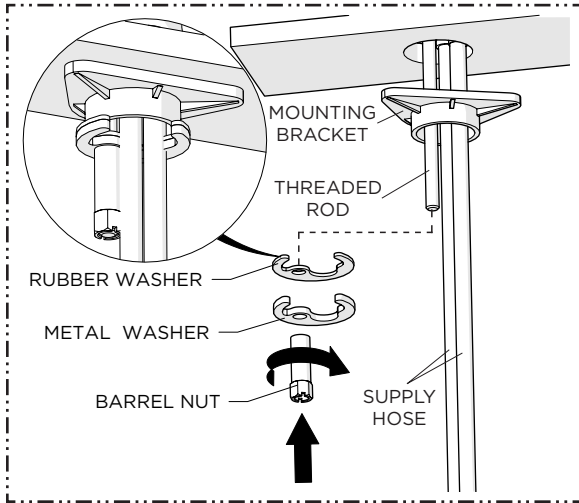
INSTALLATION GUIDELINES

ONE HOLE GOOSENECK KITCHEN FAUCET



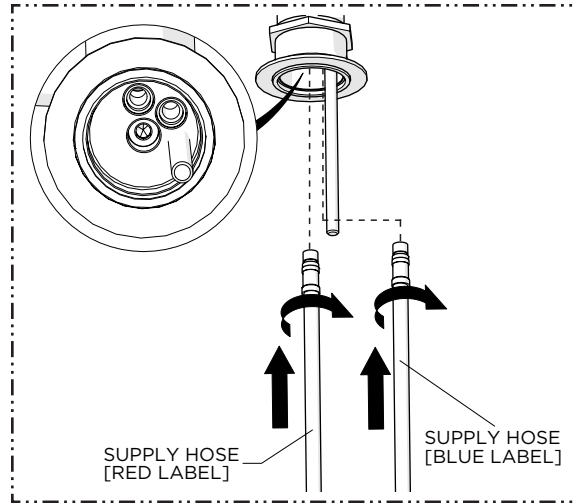
1. Remove the BARREL NUT, METAL WASHER, RUBBER WASHER and MOUNTING BRACKET from the THREADED ROD.

NOTE: Do NOT remove the THREADED ROD or FOAM WASHER beneath the ESCUTCHEON.



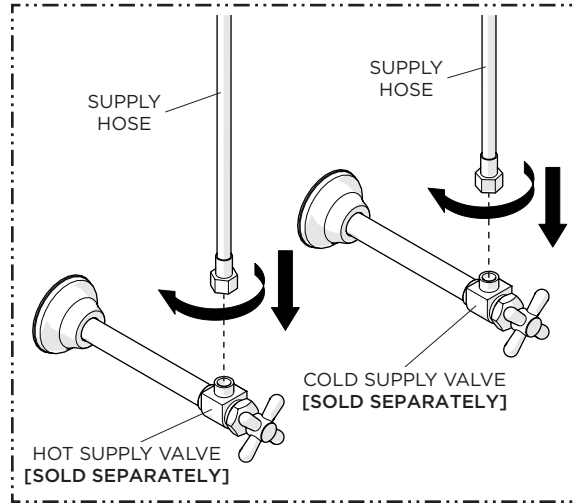
4. Slide the MOUNTING BRACKET, RUBBER and METAL WASHERS back onto the THREADED ROD then thread and securely tighten the BARREL NUT onto the ROD.

NOTE: Ensure the WASHERS fit properly around the TUBES and HOSE



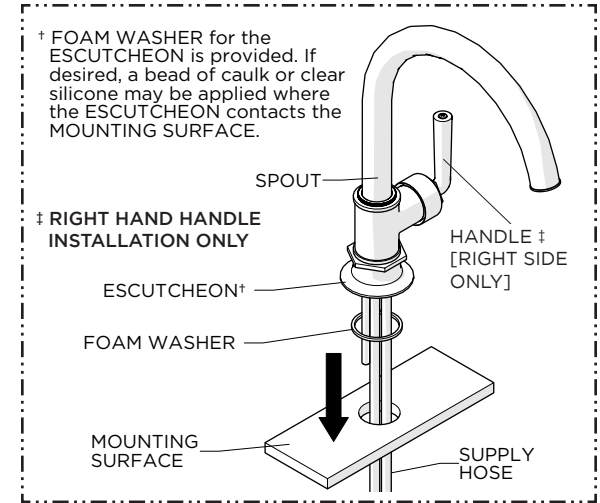
2. Thread and securely tighten the SUPPLY HOSES onto the SPOUT.

NOTE: The HOSES are M10 x 3/8" COMPRESSION CONNECTOR HOSES and the TUBES are marked BLUE for cold and RED for hot.



5. Connect the SUPPLY HOSES to the SUPPLY VALVES [SOLD SEPARATELY].

NOTE: The HOSES are connected to SUPPLY TUBES that are marked BLUE for COLD and RED for HOT.



3. Insert the SUPPLY HOSES through the hole on the MOUNTING SURFACE making sure the FOAM WASHER provided is beneath the ESCUTCHEON.

† FOAM WASHER for the ESCUTCHEON is provided. If desired, a bead of caulk or clear silicone may be applied where the ESCUTCHEON contacts the MOUNTING SURFACE.

‡ RIGHT HAND HANDLE INSTALLATION ONLY

† ESCUTCHEON†

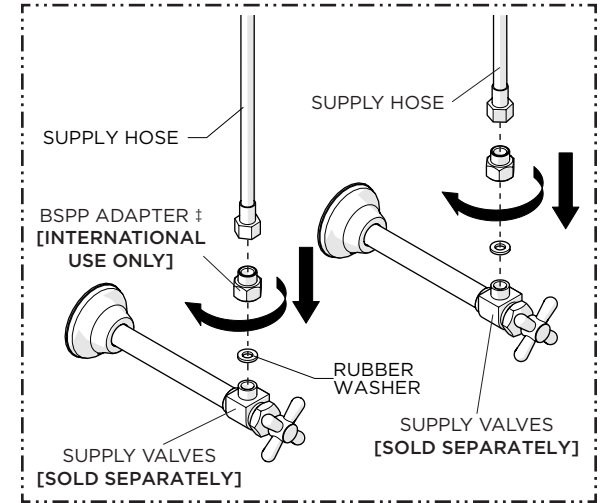
† FOAM WASHER

† MOUNTING SURFACE

† SUPPLY HOSE

† SPOUT

† HANDLE ‡ [RIGHT SIDE ONLY]

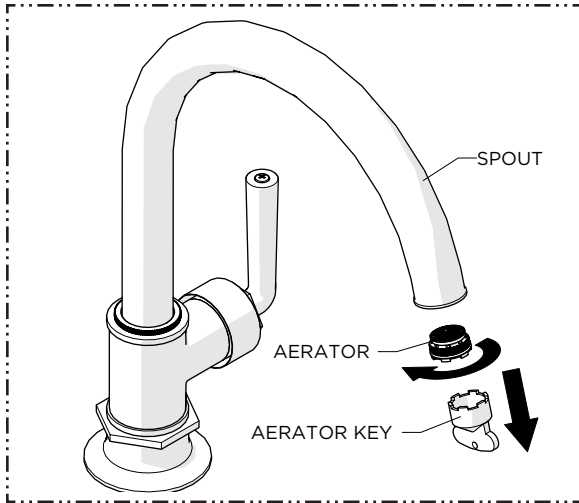


FOR INTERNATIONAL USE ONLY:

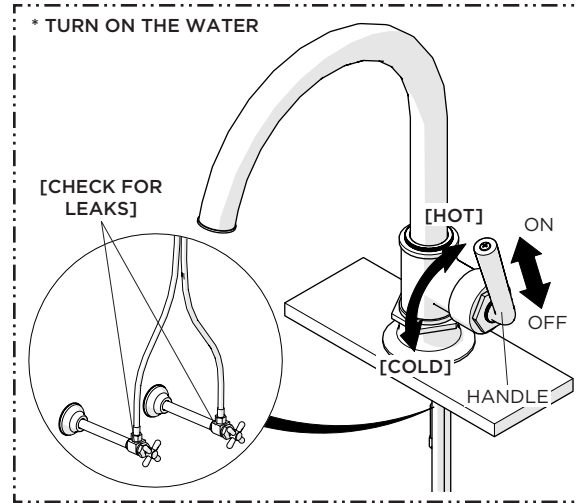
6. Using the RUBBER WASHERS provided, thread and securely tighten the BSPP ADAPTERS onto the SUPPLY VALVES then thread and securely tighten the SUPPLY HOSES onto the ADAPTERS.

INSTALLATION GUIDELINES

ONE HOLE GOOSENECK KITCHEN FAUCET

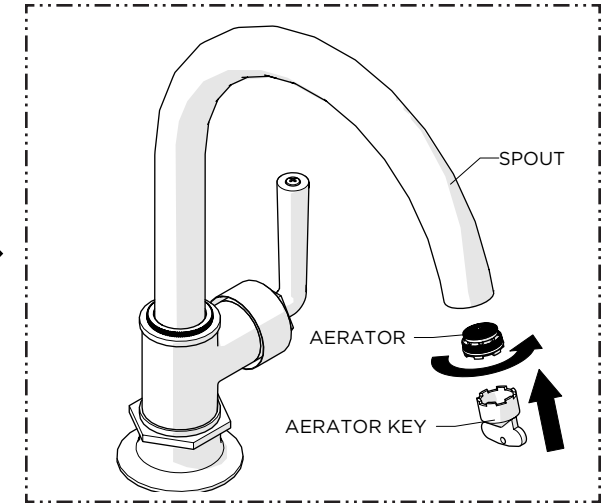


7. Remove the AERATOR from the SPOUT using the tool provided.

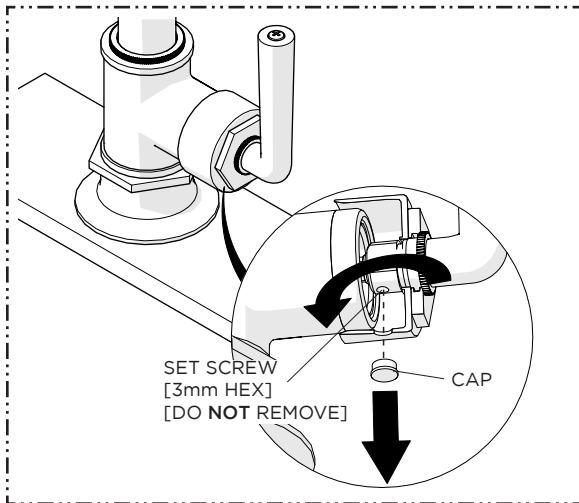


8. Turn on the water supply to flush out the SUPPLY LINES and inspect all connections for **leaks**.

NOTE: Flushing the SUPPLY VALVES prior to installing the FAUCET is recommended to avoid damaging the CARTRIDGE.

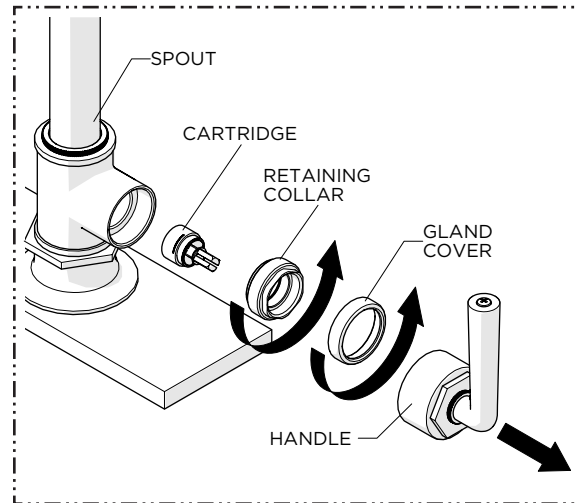


9. Re-install the AERATOR using the tool provided.



SERVICING THE CARTRIDGE:

1. Remove the CAP at the base of the HANDLE then unthread, but do **NOT** remove, the SET SCREW using the 3mm HEX KEY.




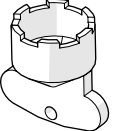
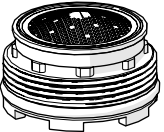
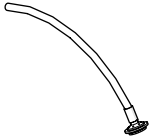
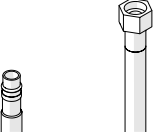



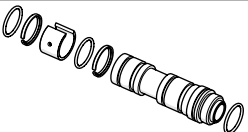
2. Remove the HANDLE, unthread and remove the GLAND COVER, unthread and remove the RETAINING COLLAR then remove the CARTRIDGE.

SERVICE GUIDELINES

ONE HOLE GOOSENECK KITCHEN FAUCET

WATERWORKS

SERVICE PARTS:

	PART No.	DESCRIPTION
	999382	CARTRIDGE
	999192	AERATOR KEY
	507980	AERATOR
	101105	ANTI-DRIP INSERT
	100271	SUPPLY HOSE [M10 MALE x 3/8" COMPRESSION FEMALE (9/16-24 UNEF)]
	100275	MOUNTING HARDWARE
	101100	SPOUT SLIP SEAL
	101113	RETAINING NUT
	101104	SPOUT SLIP CONNECTION [INCLUDES 101100]

