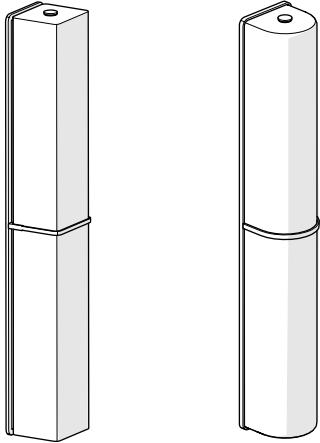


INSTALLATION GUIDELINES

WALL MOUNTED LIGHT

FINOT WALL MOUNTED DOUBLE SCNCE WITH RECTANGULAR / CYLINDRICAL GLASS SHADE



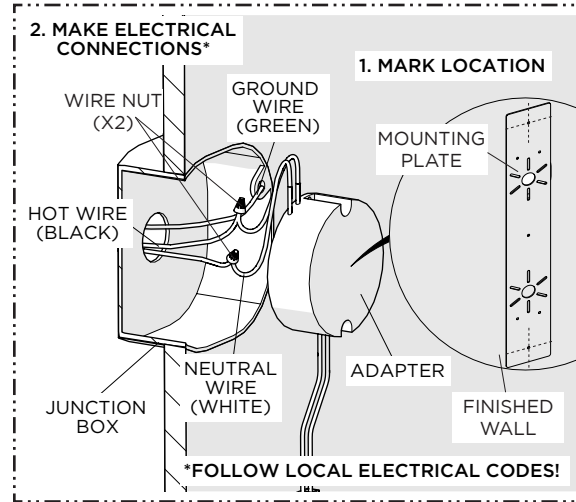
STYLES

NOLT02

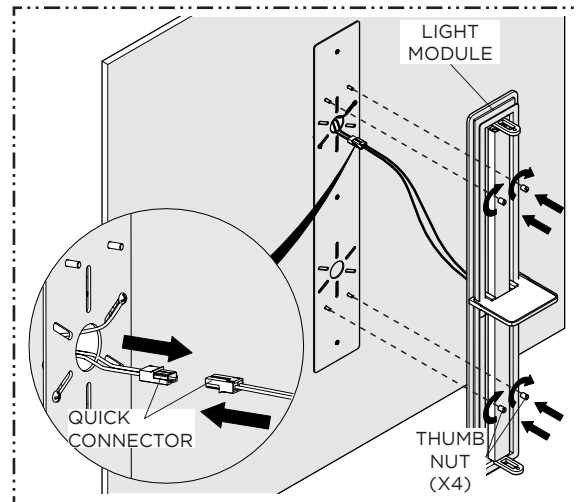
NOLT04

IMPORTANT:

- **WARNING:** The power supply must be turned off prior to installation. Turn off the main electrical supply to the junction box from the fuse box/circuit breaker. Turning power off at the switch is **not** sufficient.
- See product specifications for exact product details.
- To ensure this product is installed properly, you must read and follow these guidelines.
- The owner of this product must keep this information for future reference.
- Be sure your installation conforms to all federal, state, and local codes.
- This product must be installed a professional licensed contractor and must be onsite prior to installation, this allows the installer to visualize the installation.
- **Max** wattage for this product is 60 watts.
- Inspect this product to ensure you have all the parts required for proper installation.
- Use only a strap wrench or protected/smooth-jaw wrench.

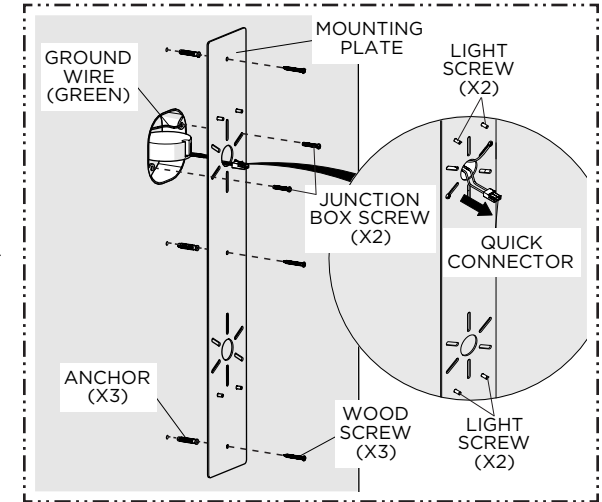


1. Dry fit and mark the screw locations on the finished wall. Use WIRE NUTS to connect the HOT (BLACK) and NEUTRAL (WHITE) wires.

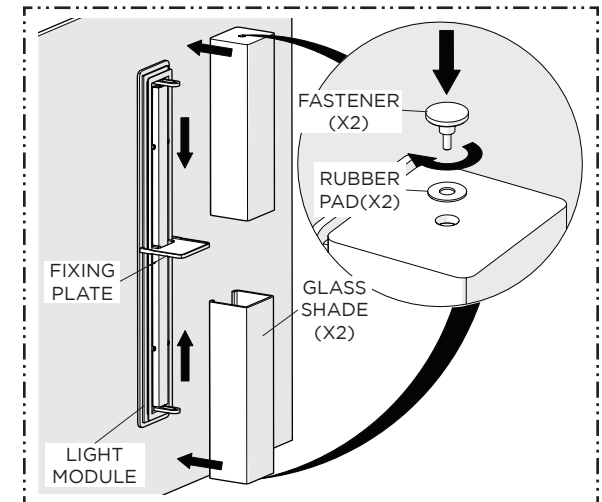


3. Connect the QUICK CONNECTOR from the ADAPTER to the QUICK CONNECTOR on the LIGHT MODULE. Position the LIGHT MODULE onto the MOUNTING PLATE ensuring the screw holes align. Fasten the THUMB NUTS to the LIGHT MODULE screws ensuring they are fully tightened.

WATERWORKS



2. Insert the ADAPTER into the JUNCTION BOX, secure the BRACKET with the provided ANCHORS and SCREWS, ensuring the ADAPTER QUICK CONNECTOR passes through the BRACKET center hole. Attach the MOUNTING PLATE and connect the GROUND wire to the JUNCTION BOX SCREWS.



4. Take the GLASS SHADE and carefully slide it onto the LIGHT MODULE, ensuring it rests on the FIXING PLATE. Place the RUBBER PAD, centering it over the top/bottom hole on the GLASS SHADE, and secure it with the FASTENER provided and repeat the same steps for the other side.