

Henry

HNXS20

Henry Exposed Thermostatic Shower System with 8" Shower Head and Metal Cross Handle



SHOWN IN HENRY EXPOSED THERMOSTATIC SHOWER SYSTEM WITH 8" SHOWER HEAD AND METAL CROSS HANDLE | HNXS20

TECHNICAL DETAILS

ADA Compliance: Yes
 Adjustable Versus Fixed Spray: Fixed Spray
 Diameter Of Head: 197 mm
 Diameter Of Legs Tubes: 29 mm
 Escutcheon Primary Material: Brass
 Fittings Hole Diameter: 29 mm
 Flow Restriction Options: 2.5, 2.0, 1.75, 1.5
 Handle Spread Maximum: 144 mm
 Handle Spread Minimum: 144 mm
 Handle Turn Angle: Quarter Turn
 Handshower Spray Hose Length: 1.5 m
 Inlet Connection Size: 3/4"
 Inlet Connection Type: Copper Compression
 Inlet Supply Spread Maximum: 295 mm
 Inlet Supply Spread Minimum: 283 mm
 Installation Type: Wall Mounted
 Integrated Diverter: N
 Integrated Spray: N
 Number Of Handles: Two
 Number Of Holes: Two Hole
 Pivot: Y
 Primary Material: Brass
 Suggested Application: Bath
 Valve Material: Wax Element
 Water Pressure Maximum: 6.0 bar
 Water Pressure Minimum: 1.5 bar
 Water Pressure Recommended: 3.0 bar

INSPIRATION

Influenced by the connection of industry and art Henry easily transitions between modern, traditional, utilitarian and classic settings.

CODES & STANDARDS

CEC

PRODUCT FEATURES

Available Late Spring 2018

Features an intergrated thermostatic shut-off valve

The Shower Riser is designed to be field cut to accommodate varying shower heights. The exposed diverter body can be installed with the handshower elbow on the right or the left.

Stocked in Nickel, Chrome, Unlacquered Brass, and Matte Nickel finishes

Standard flow rate is 2.5gpm (9.5 L/min). Also available in high efficient flow options. Contact your sales associate or call 1 (800) 899-6757 for details.

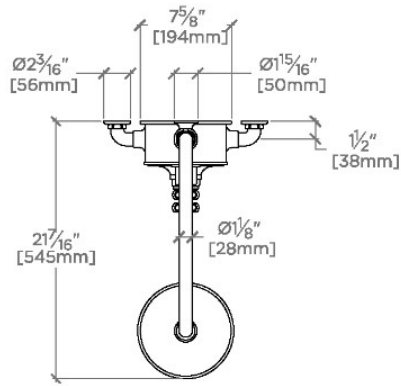
CERTIFICATIONS

PRODUCT (NOTES)

Henry

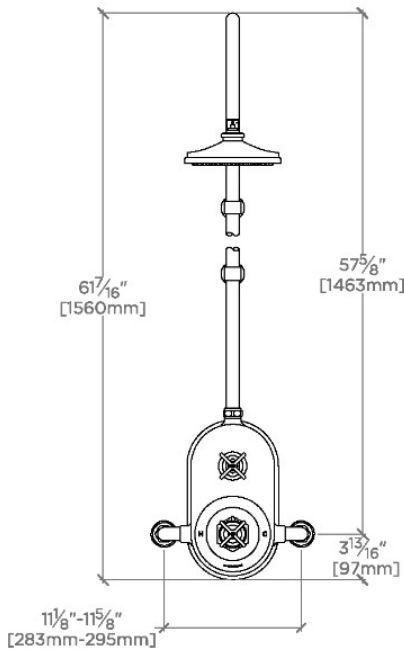
HNXS20

Henry Exposed Thermostatic Shower System with 8" Shower Head and Metal Cross Handle



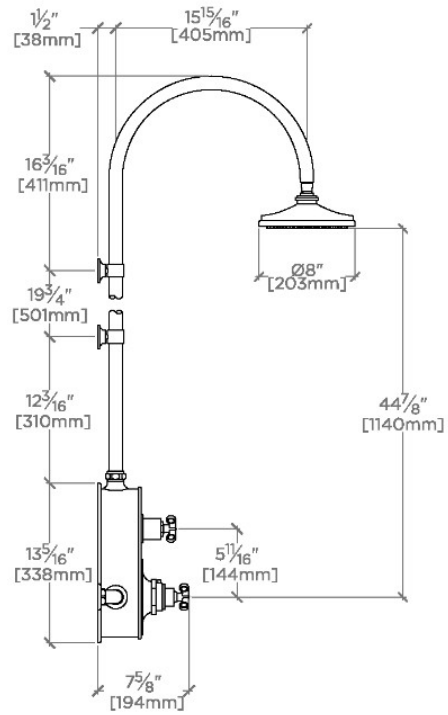
TOP VIEW

SCALE: 3/4"=1'-0"



FRONT VIEW

SCALE: 3/4"=1'-0"



SIDE VIEW

SCALE: 3/4"=1'-0"