

# INSTALLATION GUIDELINES



STYLE No. OTKM01, OT01KM

On Tap One Hole High Profile Bar Faucet with Metal Wheel Handle

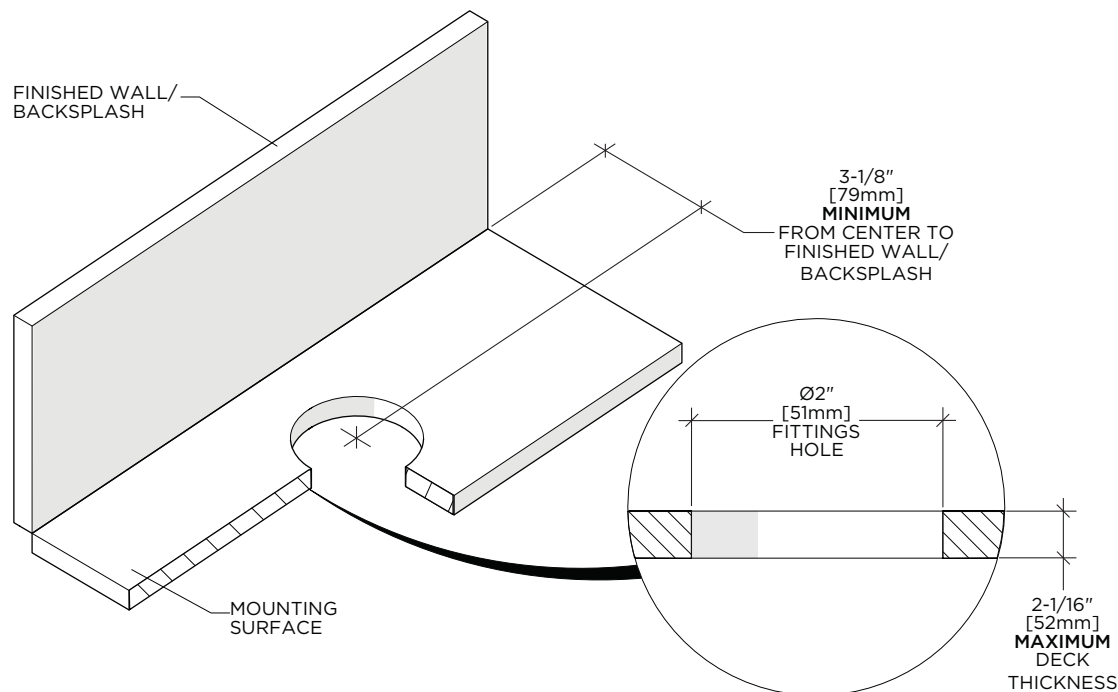
## IMPORTANT:

- To ensure this product is installed properly, you must read and follow these guidelines.
- The owner/user of this product must keep this information for future reference.
- This product must be installed by a professional licensed contractor.
- Be sure your installation conforms to federal state, and local codes. In the State of Massachusetts, all installations must comply with the rules and regulations set forth within 248 CMR.
- Inspect this product to ensure you have all the parts required for proper installation. Product is sold partially assembled but shown fully disassembled for illustrative and service purposes only.
- Use only a strap wrench or protected/smooth-jaw wrench on any finished surface.
- The use of certain plumber's putty may stain stone or tile surfaces.
- If further assistance is required, please contact Product Support at 1-800-927-2120 Monday through Friday, 8am - 6pm EST.
- Refer to the separate Service Parts Documents for available replacement parts.

## TECHNICAL DETAILS:

DETAIL	SPECIFICATION
HANDLE TURN ANGLE	HALF TURN
INLET CONNECTION	3/8" COMPRESSION CONNECTOR HOSES †
RESTRICTED MAXIMUM FLOW RATE	2.2gpm [8.3L/min]
SPOUT REACH	8" [203mm]
SPOUT SWIVEL	YES [180°]
WATER PRESSURE RANGE	20psi [1.5 bar] MIN 85psi [6.0 bar] MAX
WATER PRESSURE RECOMMENDED	45psi [3.0 bar]

† UK Style No., **OT01KM** is supplied with 2 BSPP adapters, assembly required.



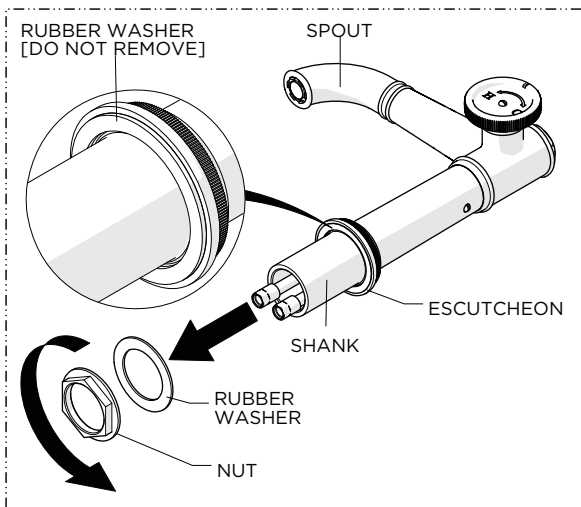
# WATERWORKS

## INSTALLATION GUIDELINES



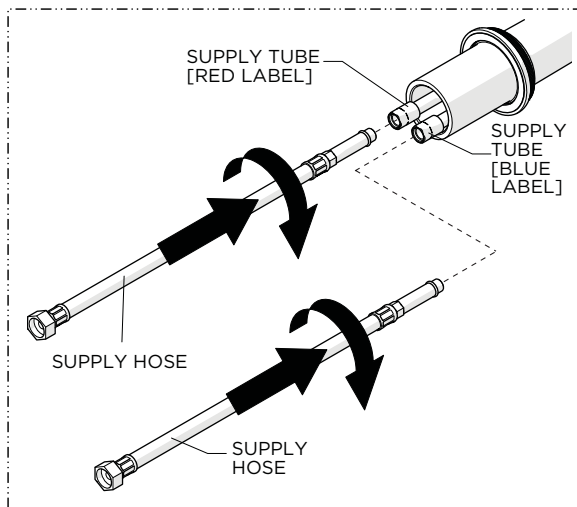
STYLE No. OTKM01, OT01KM

On Tap One Hole High Profile Bar Faucet with Metal Wheel Handle



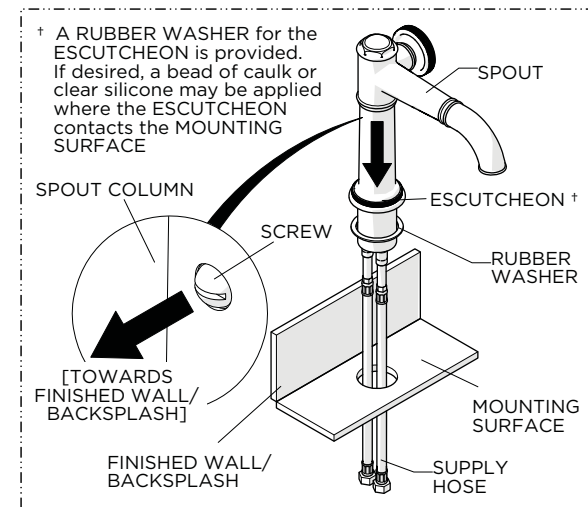
1. Remove the NUT and RUBBER WASHER from the SPOUT SHANK.

**NOTE:** Do **NOT** remove RUBBER WASHER beneath the ESCUTCHEON.

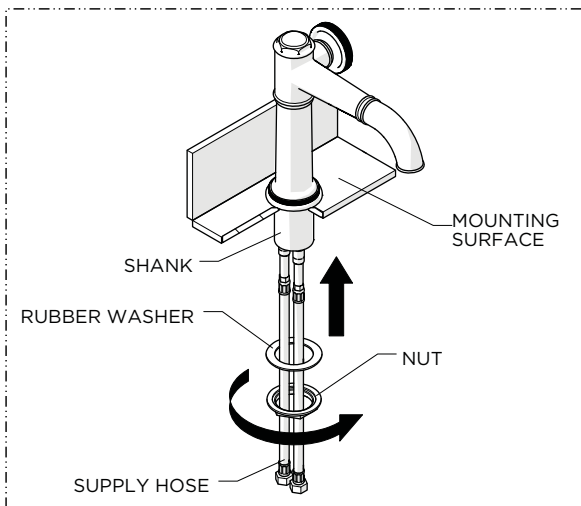


2. Thread and securely tighten the SUPPLY HOSES onto the SUPPLY TUBES installed on the SPOUT.

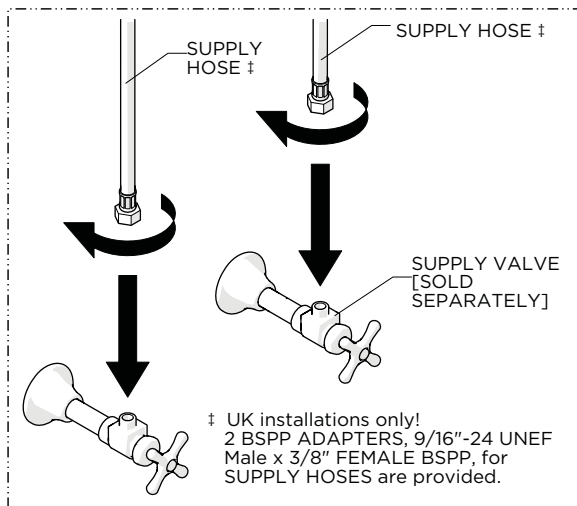
**NOTE:** The HOSES are M10 x 3/8" COMPRESSION CONNECTOR HOSES and the SUPPLY TUBES are marked BLUE for cold and RED for hot.



3. Insert the SPOUT through the hole on the mounting surface making sure the RUBBER WASHER provided is beneath the ESCUTCHEON and the SCREW on the SPOUT CLOUMN is aligned towards the finished wall/backsplash.

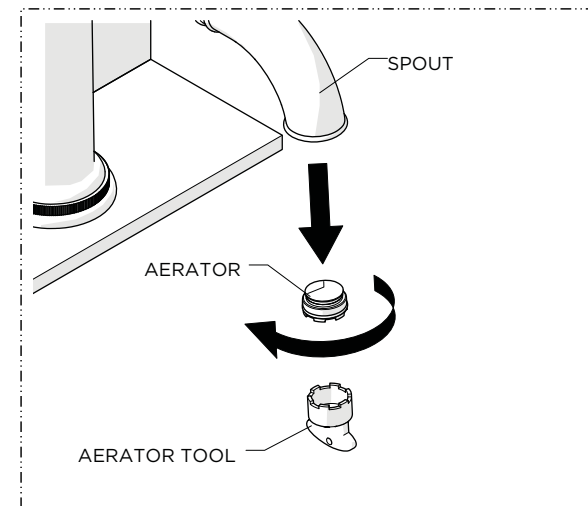


4. Slide the RUBBER WASHER and NUT over the SUPPLY HOSES and TUBES then, making sure the HANDLE is properly aligned, thread and securely tighten the NUT.



5. Connect the SUPPLY HOSES to the SUPPLY VALVES [sold separately].

**NOTE:** The HOSES are connected to SUPPLY TUBES that are marked BLUE for cold and RED for hot.



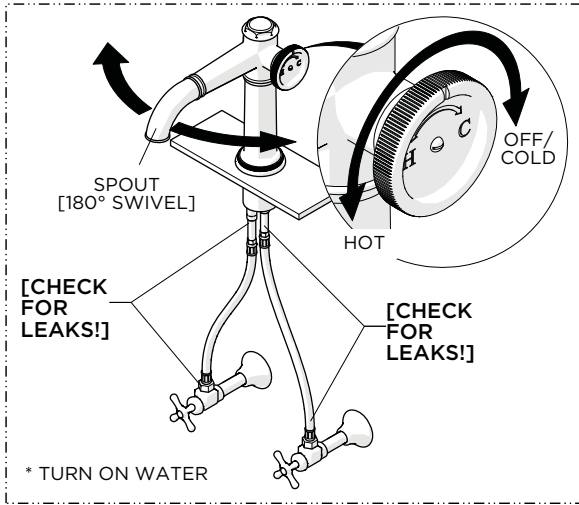
6. Using the tool provided, remove the AERATOR.

INSTALLATION GUIDELINES

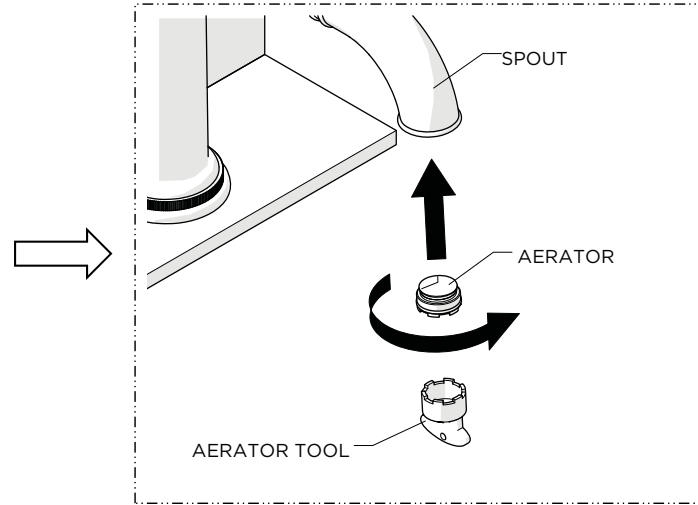


STYLE No. OTKM01, OT01KM

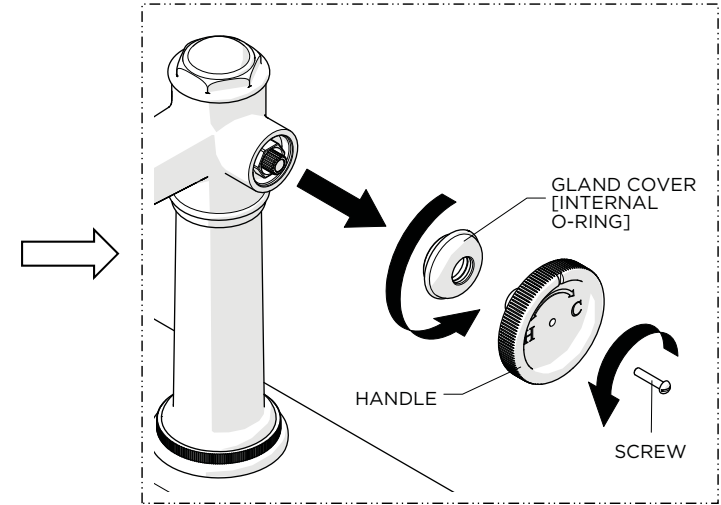
On Tap One Hole High Profile Bar Faucet with Metal Wheel Handle



7. Turn on the water and operate the HANDLE and SPOUT to ensure they function properly and to flush out any debris in the supply lines then check all connections for leaks and turn off the water.

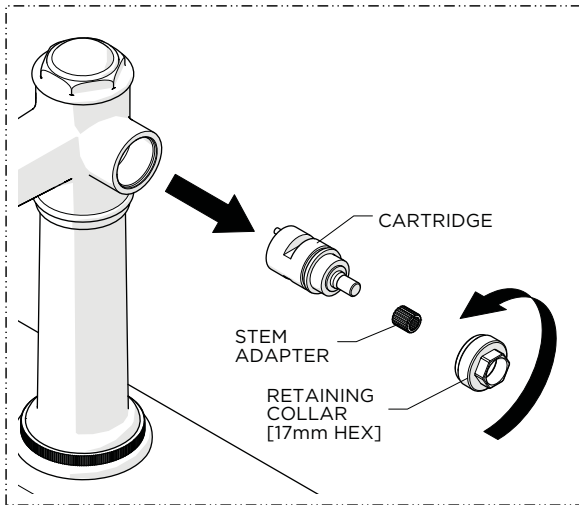


8. Re-install the AERATOR.



**SERVICING THE CARTRIDGE:**

1. Unthread the SCREW and remove the HANDLE then unthread and remove the GLAND COVER.



2. Unthread and remove the RETAINING COLLAR to expose the CARTRIDGE and STEM ADAPTER.