

UNIVERSAL

UNWD12

Universal Traditional One Hole Filtered Cold Water Dispenser with Lever Handle



FILEDESCRIPTION

TECHNICAL DETAILS

Deck Thickness Maximum: 3"
Deck Thickness Minimum: 1/4"
Escutcheon Primary Material: Brass
Fittings Hole Diameter: 1 3/8"
Depth / Width: 7 1/2"
Height: 5 7/8"
Inlet Connection Size: 1/4"
Inlet Connection Type: Tube OD
Installation Type: Deck Mounted
Length: 2 1/2"
Number of Holes: One Hole
Primary Material: Brass
Spout Swivel: Y
Suggested Application: Bar, Kitchen, Laundry
Valve Material: Ceramic
Water Pressure Maximum: 85.0 psi
Water Pressure Minimum: 20.0 psi
Water Pressure Recommended: 45.0 psi

INSPIRATION

Our Universal collection features timeless designs complementing any of our Waterworks. With a wide range of product, from fittings to accessories, Universal adds exquisite proportion and balance to any environment.

PRODUCT FEATURES

Single Handle Operation

Spout can swivel 360°

On demand filtered cold water, between 39.2°F and 50°F

Universal, low profile design complements any Kitchen Mixer

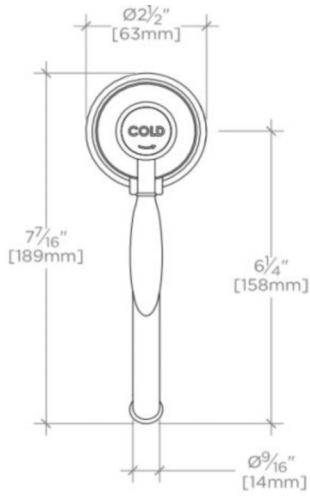
Available 1.0gpm (3.8L/min)

WATERWORKS

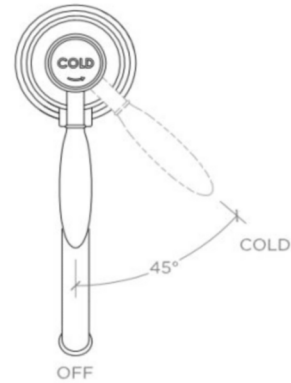
UNIVERSAL

UNWD12

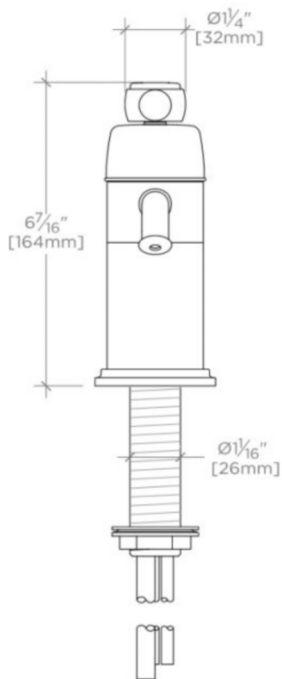
Universal Traditional One Hole Filtered Cold Water Dispenser with Lever Handle



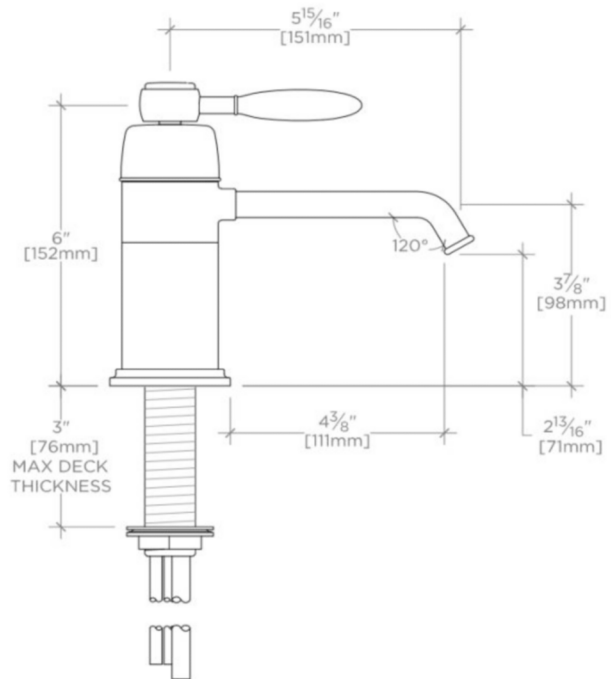
TOP VIEW SCALE: 3"=1'-0"



HANDLE OPERATION VIEW SCALE: 3"=1'-0"



FRONT VIEW SCALE: 3"=1'-0"



SIDE VIEW SCALE: 3"=1'-0"