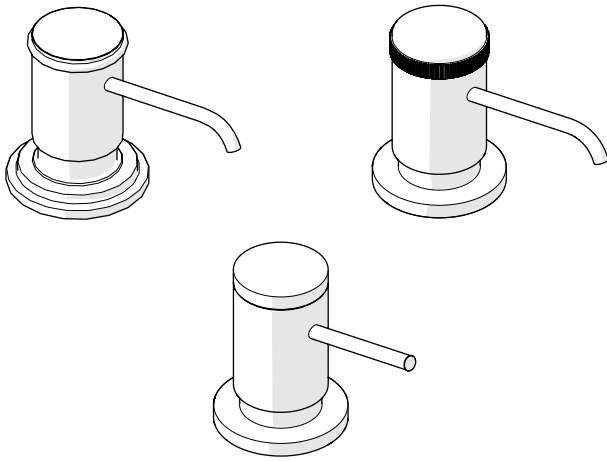


INSTALLATION GUIDELINES

SOAP DISPENSER

UNIVERSAL DECK MOUNTED SOAP DISPENSER



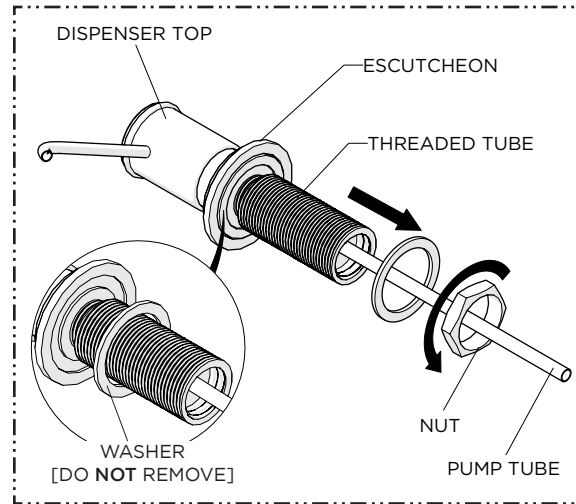
STYLES		
USD100	USD200	USD300

IMPORTANT:

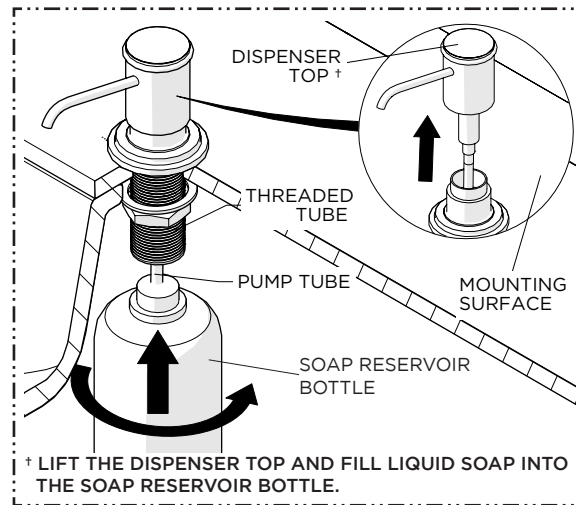
- To ensure this product is installed properly, you must read and follow these guidelines.
- The owner/user of this SOAP DISPENSER must keep this information for future reference.
- This SOAP DISPENSER must be installed by a professional licensed contractor.
- This SOAP DISPENSER is **sold partially** assembled but shown fully disassembled for illustrative and service purposes only. Inspect the SOAP DISPENSER to ensure you have all the parts required for proper installation.
- Be sure your installation conforms to all federal, state, and local codes. In the State of Massachusetts, all installations must comply with the rules and regulations set forth within 248 CMR.
- Use only a strap wrench or protected/smooth-jaw wrench on any finished surface.
- The use of certain plumber's putty may stain stone or tile surfaces.- If further assistance is required, please contact Product Support at 1-800-927-2120 Monday through Friday, 8am - 6pm EST.

TECHNICAL DETAILS:

FITTING HOLE DIAMETER	Ø1-3/8" [35mm]
DECK THICKNESS	2-7/16" [62mm] MAX



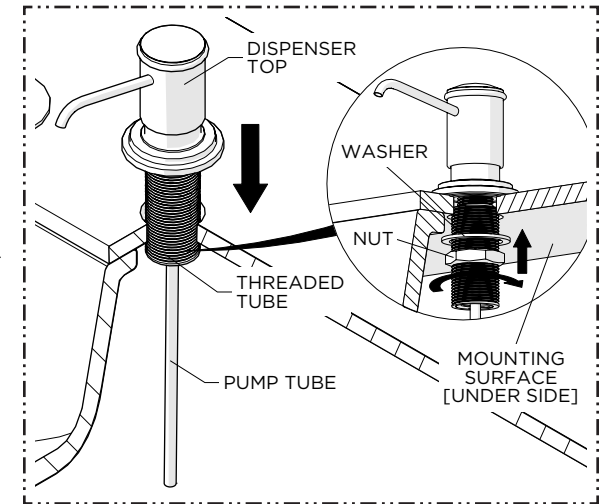
1. Unthread and remove the NUT from the THREADED TUBE.



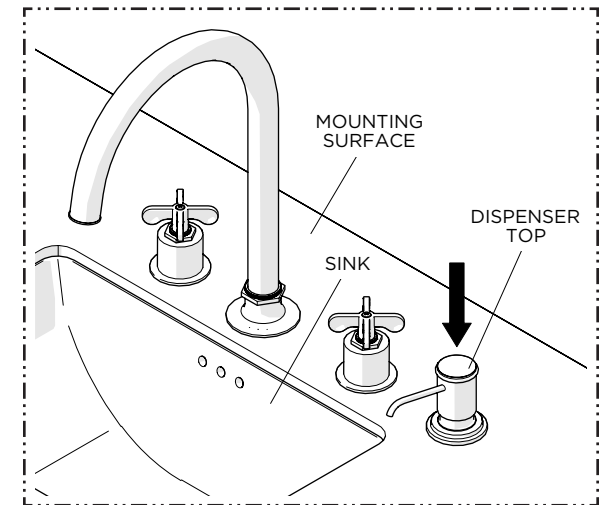
- [†] LIFT THE DISPENSER TOP AND FILL LIQUID SOAP INTO THE SOAP RESERVOIR BOTTLE.

3. Insert the PUMP TUBE from beneath the MOUNTING SURFACE and thread the SOAP RESERVOIR BOTTLE onto the THREADED TUBE until snug.

WATERWORKS



2. Insert the THREADED TUBE up through the MOUNTING HOLE, then securely tighten the NUT along with WASHER onto the THREADED TUBE against the underside of the MOUNTING SURFACE.



4. Press the DISPENSER TOP to check its operation.