

Aero

AEXT70

Aero Floor Mounted Exposed Tub Filler with Metal Handshower and Lever Handles



SHOWN IN AERO FLOOR MOUNTED EXPOSED TUB FILLER WITH METAL HANDSHOWER AND LEVER HANDLES | AEXT70

TECHNICAL DETAILS

ADA Compliance: No
Adjustable Versus Fixed Spray: Adjustable Spray
Depth/Width: 306 mm
Handle Spread Maximum: 152 mm
Handle Spread Minimum: 152 mm
Handle Turn Angle: Quarter Turn
Handshower Spray Hose Length: 1.5 m
Height: 1057 mm
Inlet Connection Size: 3/4"
Inlet Connection Type: Copper Sweat
Length: 214 mm
Spray Included In Unit: Y
Valve Material: Ceramic
Water Pressure Maximum: 5.5 bar
Water Pressure Minimum: 1.5 bar
Water Pressure Recommended: 3.0 bar

INSPIRATION

Inspired by the stepped detail of 19th century telescopes, Aero is a combination of historical reference with a contemporary temperament. The result is original and modern, bringing a look of updated elegance.

CODES & STANDARDS

CEC, State of MA

PRODUCT FEATURES

Metal lever handles

Diverter button allows bather to move water from spout to handshower with a 2" head and adjustable spray

Features signature stepped and gadrooned details on escutcheons and edge of spout

Stocked in Chrome and Nickel

Unrestricted flow for tub spout. Stocked in 2.5gpm (9.5L/min) flow rate for handshower. Alternate flow regulation of 1.75gpm (6.6/min) also available as special order

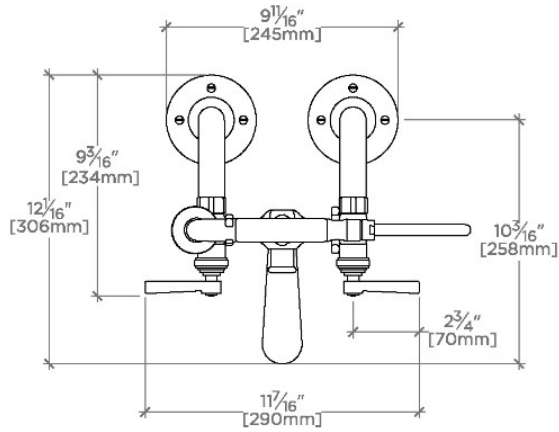
CERTIFICATIONS

PRODUCT (NOTES)

Aero

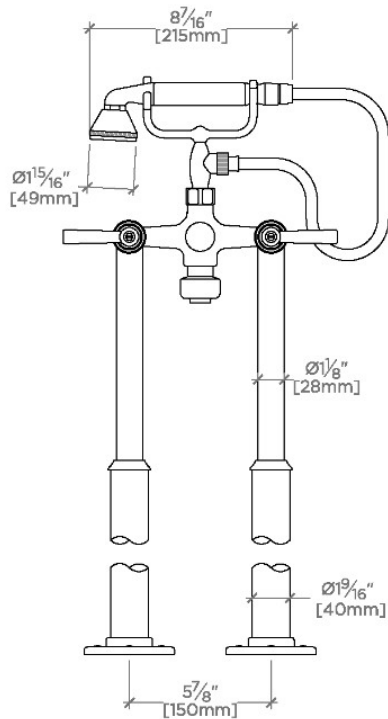
AEXT70

Aero Floor Mounted Exposed Tub Filler with Metal Handshower and Lever Handles



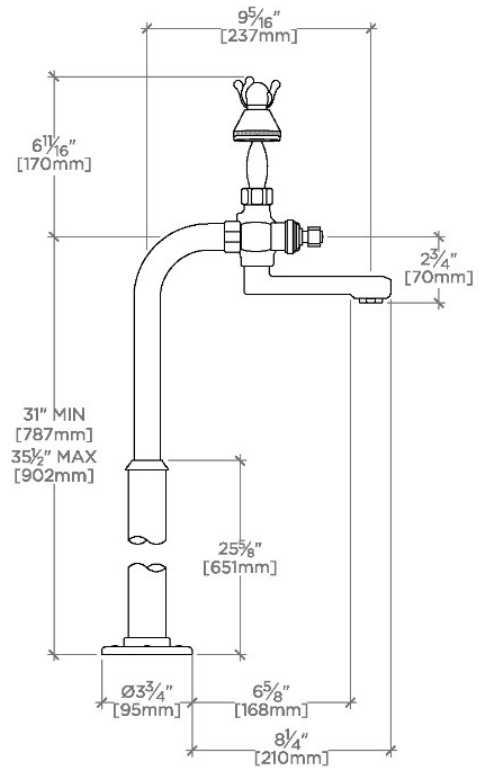
TOP VIEW

SCALE: 1/2"=1'-0"



FRONT VIEW

SCALE: 1/2"=1'-0"



SIDE VIEW

SCALE: 1/2"=1'-0"