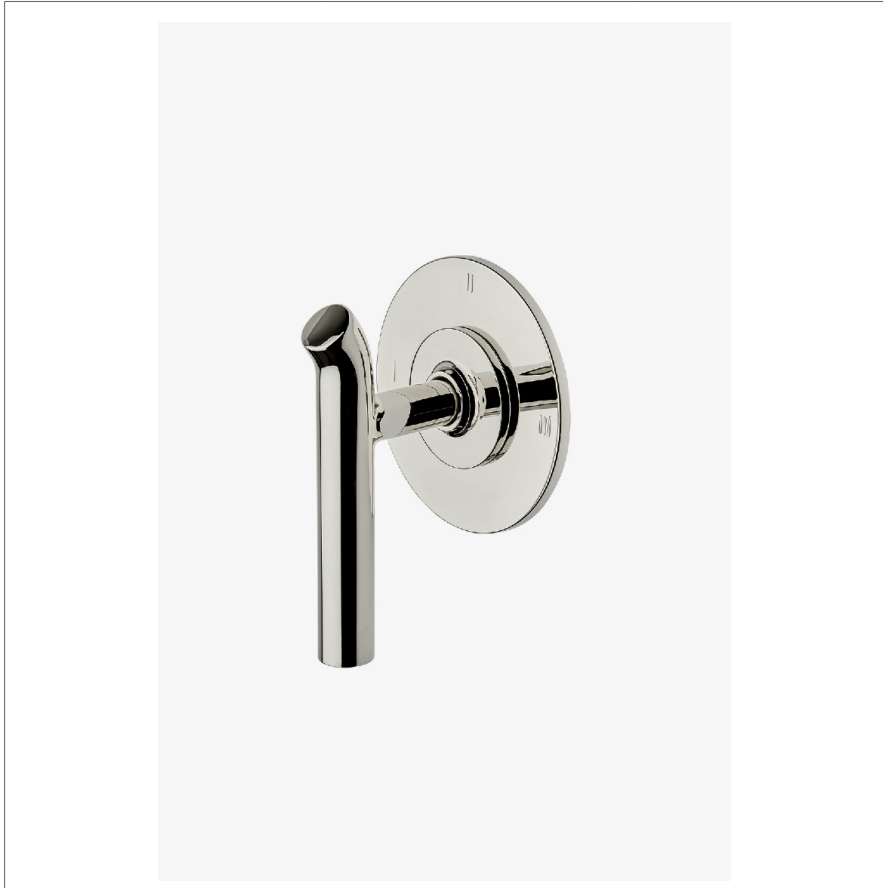


BOND

B3P110

Bond Solo Series Three Way Pressure Balance Diverter Trim with Roman Numerals and Lever Handle



SHOWN IN BOND SOLO SERIES THREE WAY PRESSURE BALANCE DIVERTER TRIM WITH ROMAN NUMERALS AND LEVER HANDLE | B3P110

TECHNICAL DETAILS

ADA Compliance: Yes
 Fittings Hole Diameter: 2 1/2"
 Integrated Diverter: N
 Primary Material: Brass

INSPIRATION

Modern designs infused with rare soul and artistry. Explore our wide range of Bond bath and kitchen elements, from fittings to fixtures to hardware.

CODES & STANDARDS

ASME A112.18.1/CSA B125.1, State of MA

PRODUCT FEATURES

Lever Handle

For use with a Pressure Balance shower system and three waterway outlets such as a handshower, shower head, or tub spout

Feature Roman Numerals representing outlet position

Stocked in Chrome, Nickel, Brass and Dark Nickel

□ Requires valve rough GUDV3P(US) or GU65DV(UK) sold separately

CERTIFICATIONS

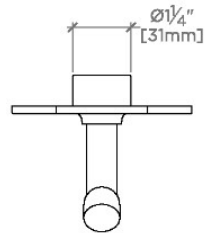


PRODUCT (NOTES)

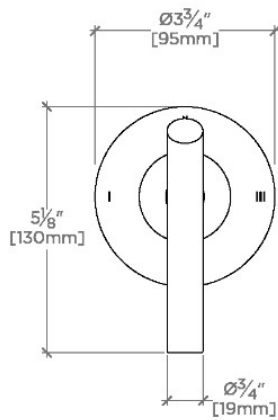
BOND

B3P110

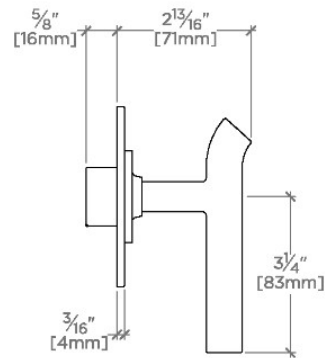
Bond Solo Series Three Way Pressure Balance Diverter Trim
with Roman Numerals and Lever Handle



TOP VIEW SCALE: 3"=1'-0"



FRONT VIEW SCALE: 3"=1'-0"



SIDE VIEW SCALE: 3"=1'-0"