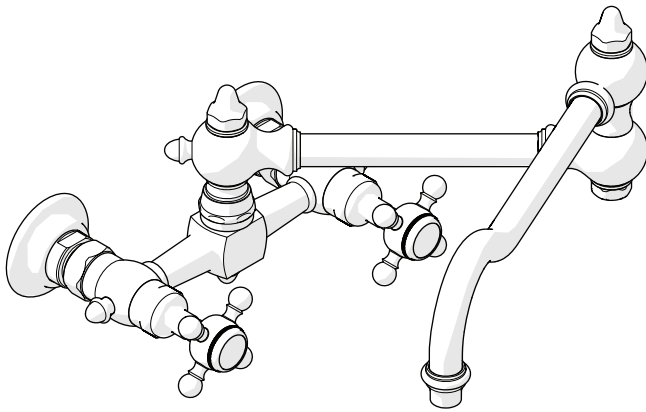


**STYLE No.** JUKM05†



**SPECIFICATIONS:**

Fittings Hole Diameter: Ø1-3/8" (35mm)  
 Handle Spread (**NOT** adjustable): 5-7/8" (150mm)  
 Handle Turn Angle: Quarter Turn  
 Inlet Connection Size & Type: 1/2" Male NPT†  
 Inlet Supply Spread Minimum: 5-1/2" (140mm)  
 Inlet Supply Spread Maximum: 6-5/16" (160mm)  
 Restricted Maximum Flow Rate: 2.2gpm (8.3liters/min)  
 Spout Reach: 20-7/8" (530mm)  
 Spout Swivel: Yes  
 Water Pressure Minimum: 20 psi (1.4 Bar)  
 Water Pressure Maximum: 80 psi (5.5 Bar)  
 Water Pressure Recommended: 45 psi (3 Bar)

† UK Style No. JU05KM is supplied with a **BSP** adapter, assembly required.

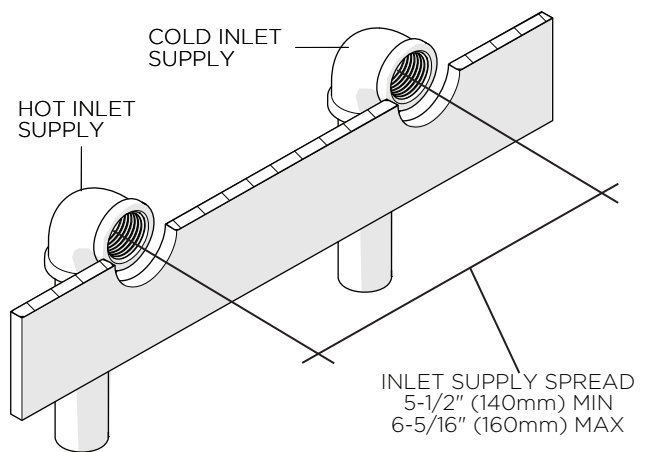
**IMPORTANT:**

- To ensure this product is installed properly, you must read and follow these guidelines.
- The owner/user of this product must keep this information for future reference.
- This product must be installed by a professional licensed contractor.
- Be sure your installation conforms to all federal, state, and local codes. In the State of Massachusetts, all installations must comply with the rules and regulations set forth within 248 CMR.
- This product must be on-site prior to rough-in. This allows the installer to visualize the installation and verify dimensions.
- Inspect the product to ensure you have all the parts required for proper installation. Use only a strap wrench or protected/smooth-jaw wrench on any finished surface.
- **DO NOT** use putty. Putty contains oil and can cause permanent discoloration on certain materials such as marble, granite and any porous surface.

- Refer to the specification and assembly drawings attached. Product is sold partially assembled but shown fully disassembled for illustrative and service purposes only.
- Check incoming water pressure.

**ROUGH-IN:**

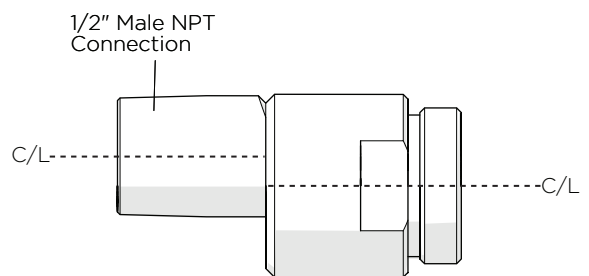
1. Determine the ideal location based on the clients preference and install adequate blocking to properly support the inlet supplies.
2. Finish the rough-in by installing well supported hot and cold 1/2" female NPT connections. Be sure that the supplies are level, secure and within the on-center spread range. The on-center spread of the inlet supplies must be between 5-1/2" (140mm) and 6-5/16" (160mm). See FIGURE - 01.



**FIGURE - 01**

**INSTALLATION:**

- The supplied NIPPLES have offset inlet and outlet connections. See FIGURE - 02. The offset allows for the inlet supply spread range shown above.

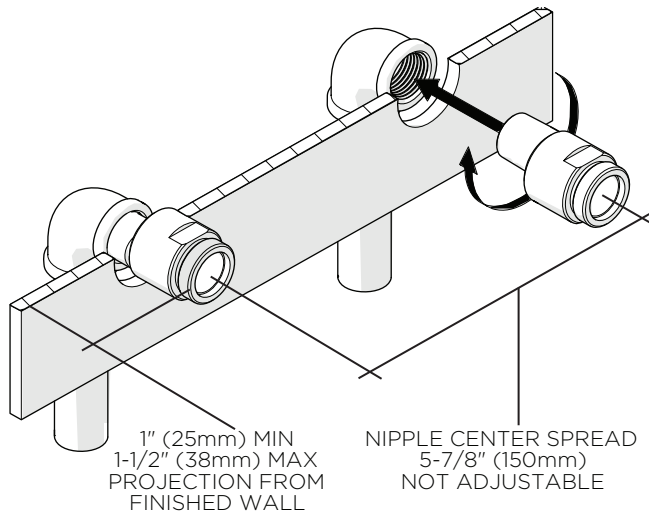


**FIGURE - 02**

3. Install the NIPPLES onto the inlet supplies. The NIPPLES must project 1" (25mm) to 1-1/2" (38mm) from the finished wall. Be sure that the NIPPLES are level, securely tightened, and have an on-center spread of 5-7/8" (150mm). See FIGURE - 03.

These guidelines have been prepared for the professional contractor to aid in the installation of:  
**JULIA WALL MOUNTED TWO HOLE BRIDGE ARTICULATED KITCHEN FAUCET WITH METAL CROSS HANDLES**  
 (STYLE No. JUKM05, JU05KM UK).  
 All dimensions are based on original specification and are subject to change and variation.  
 Please consult your Design Associate for current specifications.

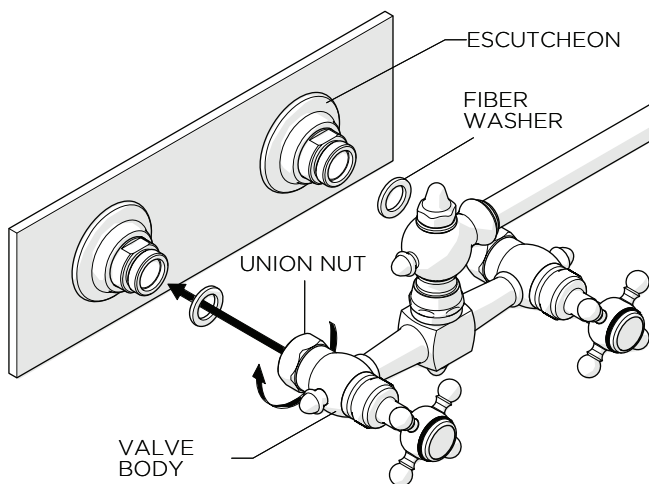
**NOTE:** The inlets on the VALVE BODY are **NOT** adjustable and require a 5-7/8" (150mm) on-center spread.



**FIGURE - 03**

- Slide the ESCUTCHEONS over the NIPPLES then hold the VALVE BODY up to the NIPPLES and thread the UNION NUTS onto the NIPPLES, making sure that the FIBER WASHERS are inside the UNION NUTS. Securely tighten the UNION NUTS. See FIGURE - 04.

**NOTE:** If desired, a bead of caulk or a clear silicone may be applied where the ESCUTCHEONS contact the finished wall. **DO NOT** use putty.\*



**FIGURE - 04**

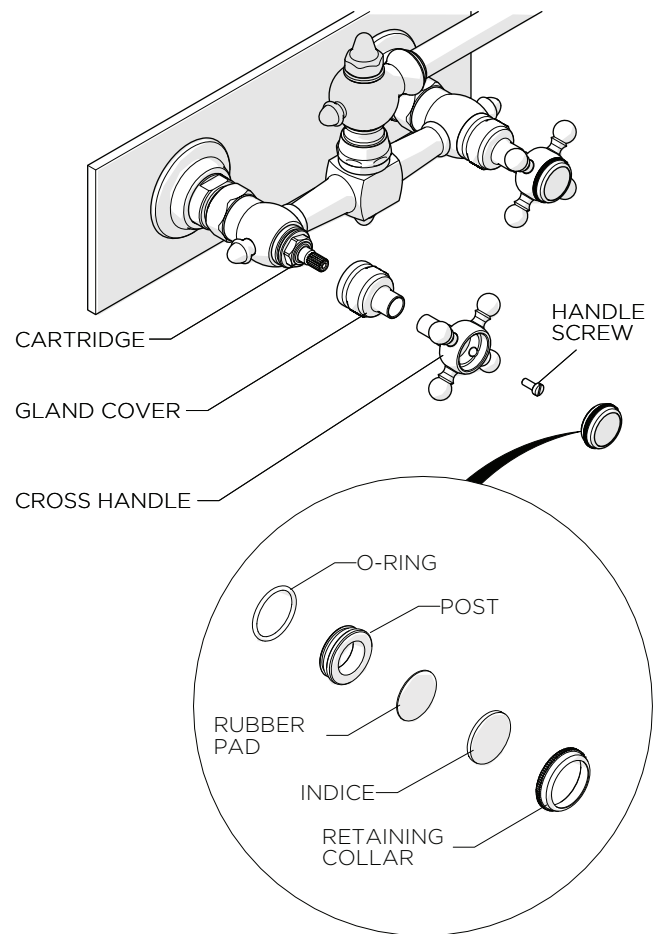
### **FINISH AND INSPECT THE INSTALLATION:**

- Unthread the AERATOR HOUSING and remove the AERATOR from the SPOUT, then open the inlet supplies and carefully turn both CROSS HANDLES to flush out any debris in the supply lines.

- Inspect all connections for leaks then re-install the AERATOR, making sure to include the O-RING.

### **SERVICING THE SHUT-OFF CARTRIDGE(S):**

- Refer to FIGURE - 05 for the following steps.



**FIGURE - 05**

- Pull off the INDICE ASSEMBLY to expose the HANDLE SCREW. The INDICE ASSEMBLY will come off as one piece. It is held in place by an O-RING.
  - Unthread the HANDLE SCREW, pull off the CROSS HANDLE and unthread the GLAND COVER to expose the cartridge.
- If further assistance is required, please contact Product Support at 1-800-927-2120 Ext 2 Monday through Friday, 8am - 6pm EST.

\* Putty contains oil and can cause permanent discoloration on certain materials such as marble, granite and any porous surface.

These guidelines have been prepared for the professional contractor to aid in the installation of:  
**JULIA WALL MOUNTED TWO HOLE BRIDGE ARTICULATED KITCHEN FAUCET WITH METAL CROSS HANDLES**  
(STYLE No. JUKM05, JU05KM UK).  
All dimensions are based on original specification and are subject to change and variation.  
Please consult your Design Associate for current specifications.