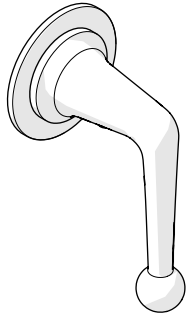


INSTALLATION GUIDELINES

CONTROL VALVE

DASH VOLUME CONTROL VALVE TRIM WITH METAL LEVER HANDLE



STYLE
DSVC10

IMPORTANT:

- To ensure this product is installed properly, you must read and follow these guidelines.
- The owner/user of this product must keep this information for future reference.
- This product must be installed by a professional licensed contractor and must be onsite prior to rough-in, this allows the installer to visualize the installation.
- Be sure your installation conforms to all federal, state, and local codes. In the State of Massachusetts, all installations must comply with the rules and regulations set forth within 248 CMR.
- Wall valves control on/off/volume and must be installed for each fitting that will have water flowing to it. If using a wall valve with the Universal 3/4" Thermostatic Valve (STYLE No. GUTH37R) refer to the Installation Guidelines for the Thermostatic Valve which contains related installation information. All valves and trims **sold separately**.
- Inspect this product to ensure you have all the parts required for proper installation. Product is **sold partially** assembled but shown fully disassembled for illustrative and service purposes only.
- Use only a strap wrench or protected/smooth-jaw wrench on any finished surface.
- The use of certain plumber's putty may stain stone or tile surfaces.
- If further assistance is required, please contact Product Support at 1-800-927-2120 Monday through Friday, 8am - 6pm EST.
- Refer to the separate Service Parts Documents for available replacement parts.

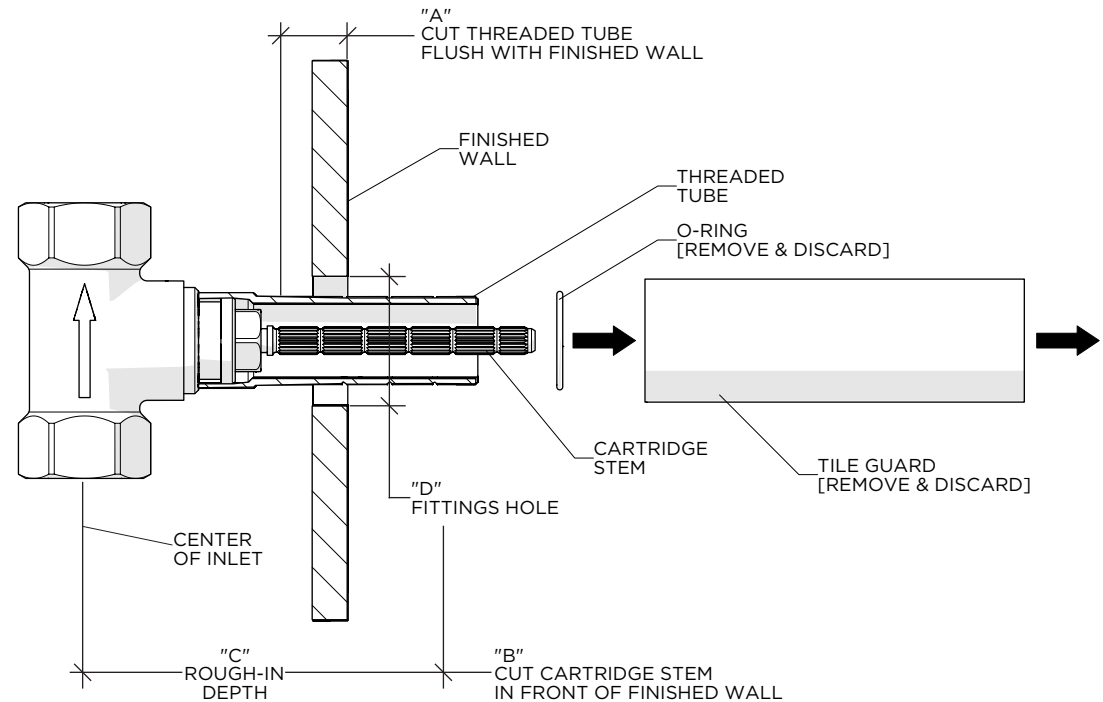
REQUIRED PLUMBING DETAILS:

- Viaworks 3/4" Counter-Clockwise Open Volume Control Valve
STYLE No. GUV16 or,
- Viaworks 3/4" Clockwise Open Volume Control Valve
STYLE No. GUV17

ROUGH-IN AND VALVE PREPARATION:

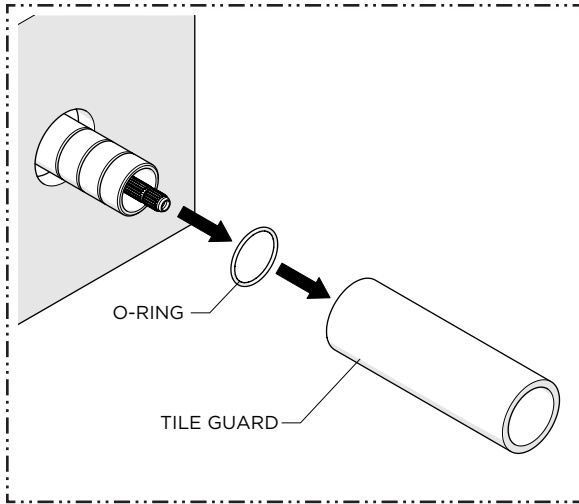
- **CAUTION:** Mark and remove the **THREADED TUBE** before cutting. Do **NOT** cut the end with the internal threads.
- **CAUTION:** Mark and remove the **CARTRIDGE** using a 21/32" [17mm] shower valve socket wrench (**not supplied**) before cutting.

DIM	VALUE
A	1/2" [13mm]
B	3/8" [10mm]
C	2-7/8" [73mm] MINIMUM
	4-1/8" [105mm] MAXIMUM
D	Ø1-3/8" [35mm]

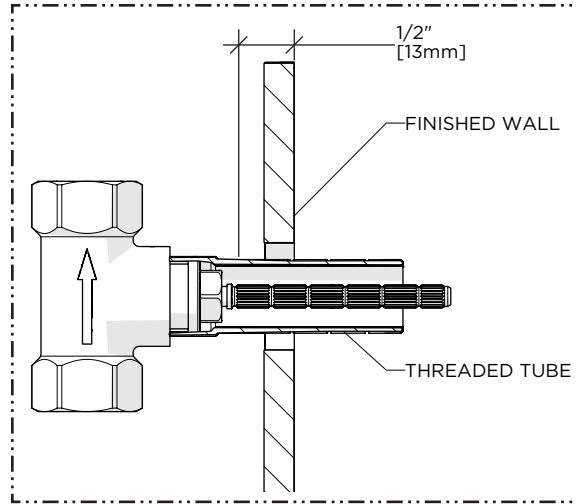
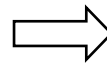


INSTALLATION GUIDELINES

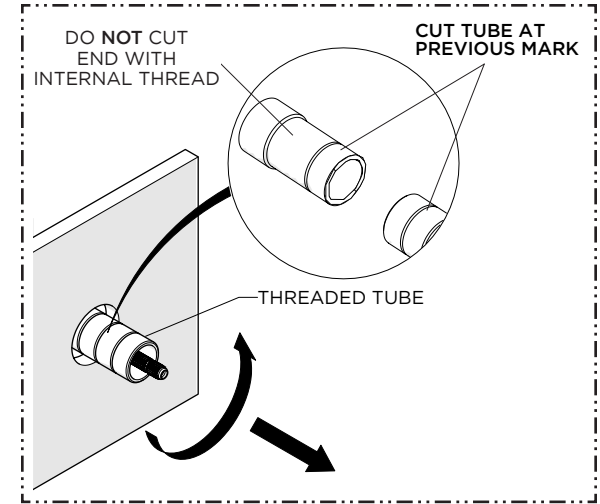
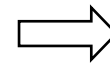
CONTROL VALVE



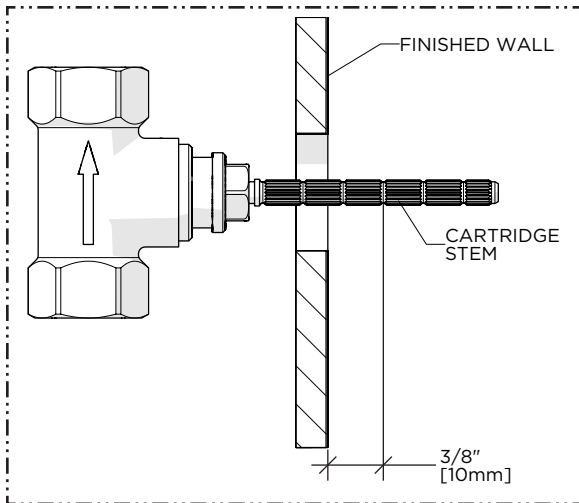
1. Remove the TILE GUARD and O-RING from the VALVE.



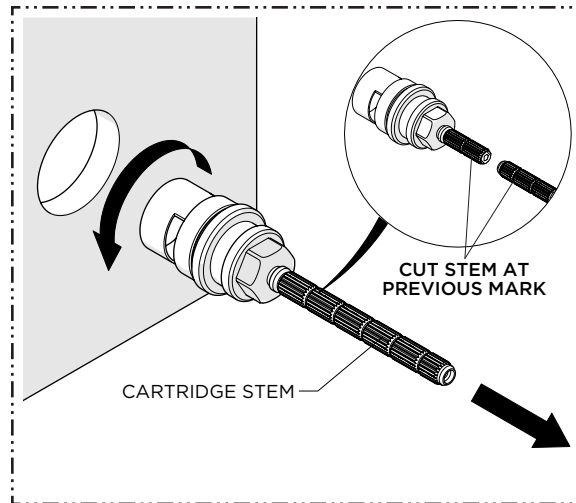
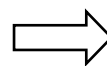
2. Mark the THREADED TUBE 1/2" [13mm] behind the FINISHED WALL.



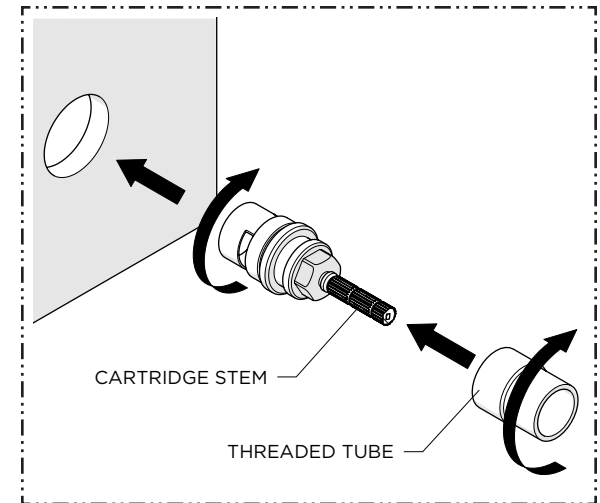
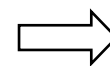
3. UNTHREAD THE THREADED TUBE THEN CUT THE THREADED TUBE AT THE PREVIOUS MARK. DO NOT CUT THE END WITH THE INTERNAL THREAD.



4. Mark the CARTRIDGE STEM 3/8" [10mm] beyond where it protrudes from the FINISHED WALL.



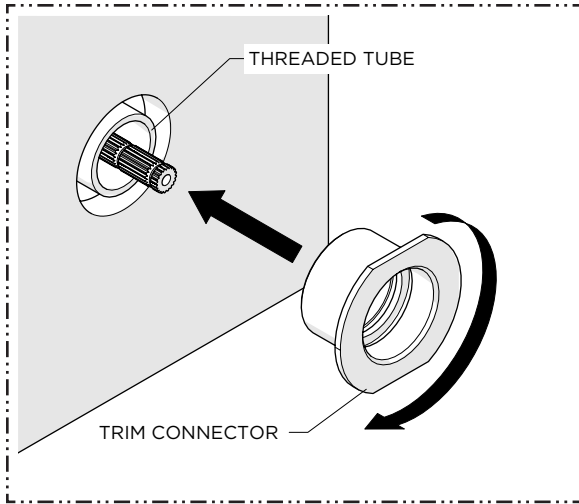
5. REMOVE THE CARTRIDGE USING A 21/32" [17mm] SHOWER VALVE SOCKET WRENCH (NOT PROVIDED) THEN CUT THE STEM AT THE PREVIOUS MARK.



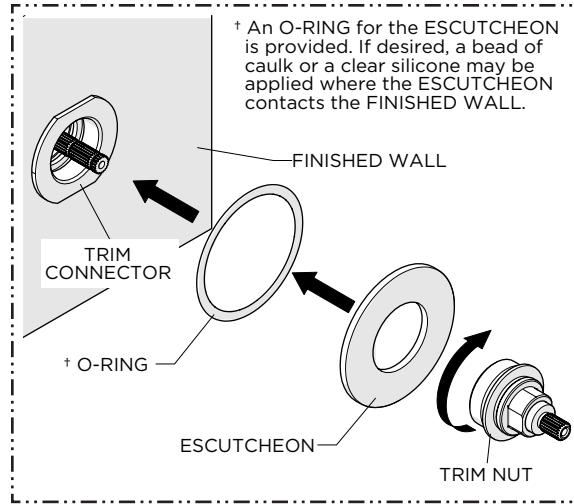
6. Thread and securely tighten the CARTRIDGE STEM back into the VALVE then thread the THREADED TUBE back onto the CARTRIDGE STEM.

INSTALLATION GUIDELINES

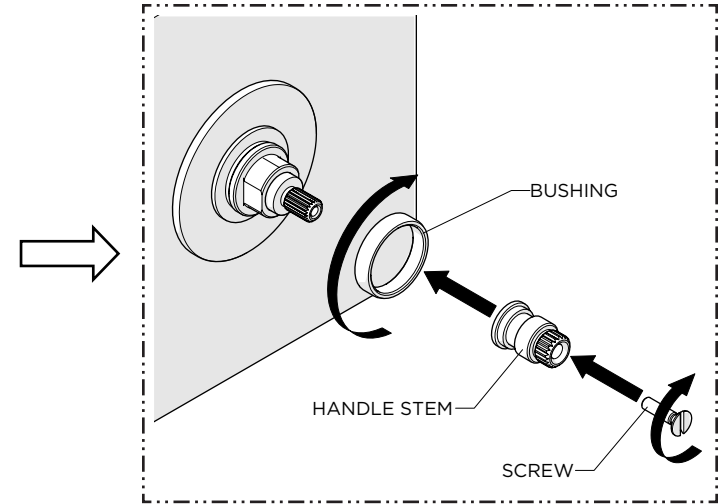
CONTROL VALVE



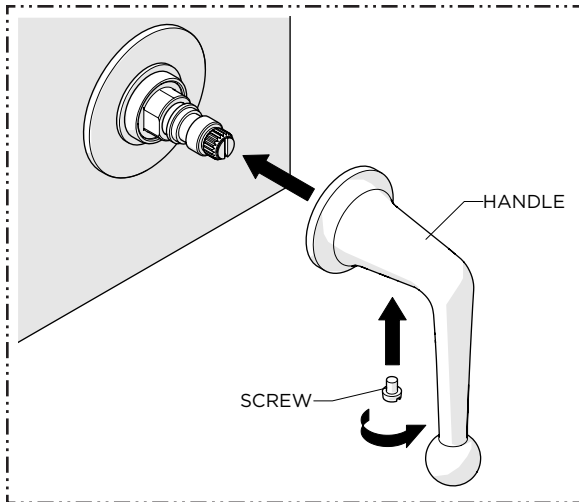
7. Thread and securely tighten the TRIM CONNECTOR onto the THREADED TUBE.



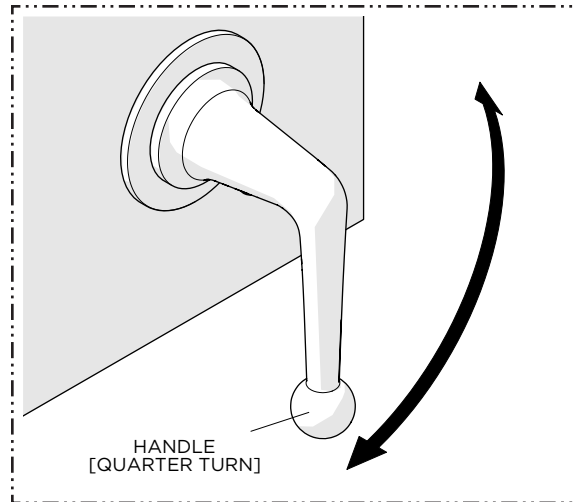
8. Hold the ESCUTCHEON against the FINISHED WALL and thread the TRIM NUT onto TRIM CONNECTOR and securely tighten.



9. Thread the BUSHING onto the TRIM NUT. Place the HANDLE STEM onto the TRIM NUT then thread and securely tighten the SCREW.



10. Place the HANDLE onto the HANDLE STEM in the desired orientation then thread and securely tighten the SCREW.



11. Turn on the water supply and operate the HANDLE to ensure that it is functioning properly.