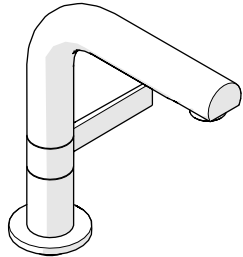


INSTALLATION GUIDELINES

ONE HOLE LAVATORY FAUCETS

FINOT ONE HOLE BAR FAUCET WITH LEVER HANDLE



STYLE
NKM420

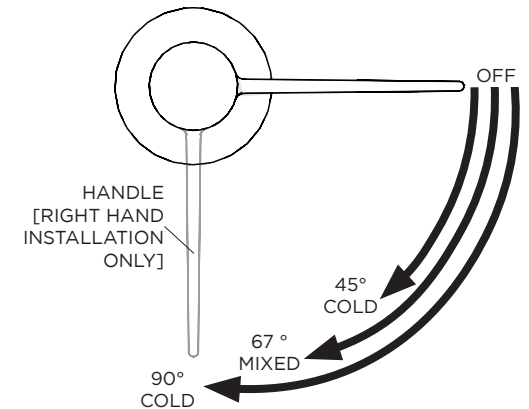
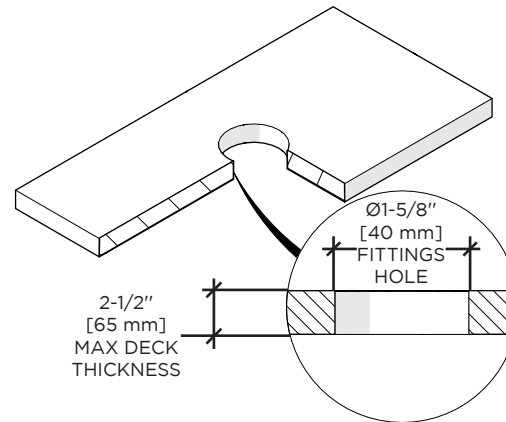
IMPORTANT:

- To ensure this product is installed properly, you must read and follow these guidelines.
- The owner/user of this product must keep this information for future reference.
- This product must be installed by a professional licensed contractor.
- Be sure your installation conforms to all federal, state, and local codes. In the State of Massachusetts, all installations must comply with the rules and regulations set forth within 248 CMR.
- Inspect this product to ensure you have all the parts required for proper installation.
- This product is **sold partially** assembled but shown fully disassembled for illustrative and service purposes only.
- **CAUTION:**
 - Flushing the SUPPLY VALVES (**sold separately**) prior to installing the LAVATORY FAUCET is recommended. Flushing can prevent damage to the CARTRIDGE and other internal components.
- Use only a strap wrench or protected/smooth-jaw wrench on any finished surface.
- The use of certain plumber's putty may stain stone or tile surfaces.
- If further assistance is required, please contact Product Support at 1-800-927-2120 Monday through Friday, 8am - 6pm EST.
- Refer to the separate Service Parts Documents for available replacement parts.

TECHNICAL DETAILS:

DETAIL	SPECIFICATION
DRAIN DEPTH	3/8" [10 mm] MINIMUM - 2" [51 mm] MAXIMUM
DRAIN HOLE DIAMETER	Ø1-1/2" [38 mm]
DRAIN STYLE	PUSH-TOUCH
INLET CONNECTION	3/8" COMPRESSION CONNECTOR HOSES †
SPOUT REACH	5-3/8" [136 mm]
SPOUT SWIVEL	YES
WATER PRESSURE	20psi [1.5 bar] MINIMUM - 85psi [6.0 bar] MAXIMUM
WATER PRESSURE RECOMMENDED	45psi [3.0 bar]

† For **INTERNATIONAL USE ONLY**, two 9/16"-24 UNEF MALE x 3/8" FEMALE BSPP ADAPTERS and RUBBER WASHERS are provided.

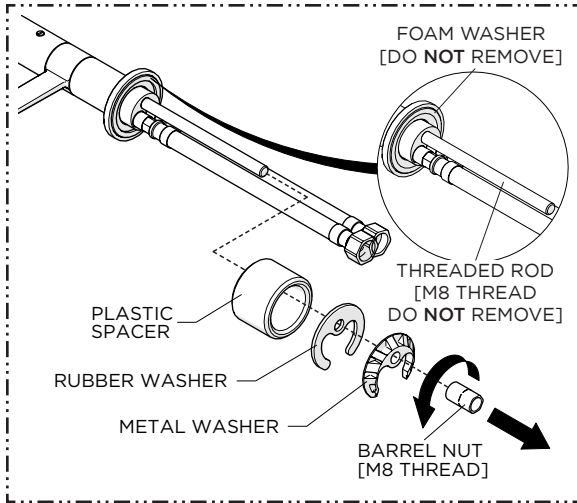


HANDLE OPERATION:

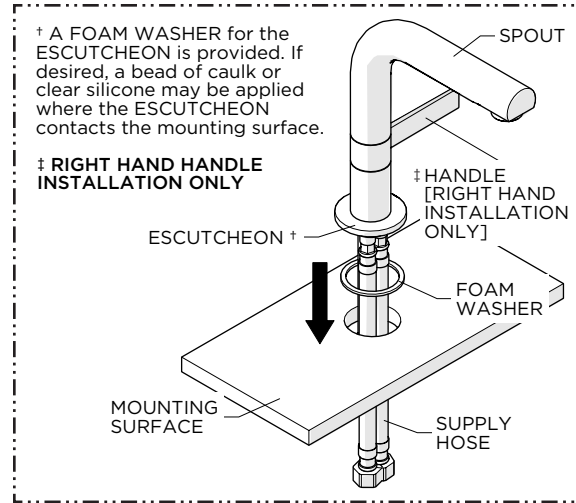
- This product is equipped with a PROGRESSIVE MIXING CARTRIDGE which incorporates tactile feedback.
 - The user will feel slight haptic bumps as they operate the HANDLE.
 - These bumps indicate when the CARTRIDGE is at full cold and warm water temperatures.
- The HANDLE rotates a 1/4 turn counterclockwise through cold, warm, and hot water temperatures as shown below.

WATERWORKS INSTALLATION GUIDELINES

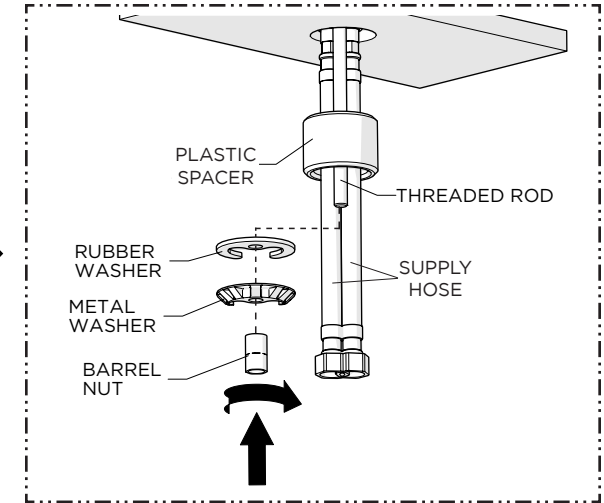
STYLE No. NKM420
Finot One Hole Bar Faucet with Lever Handle



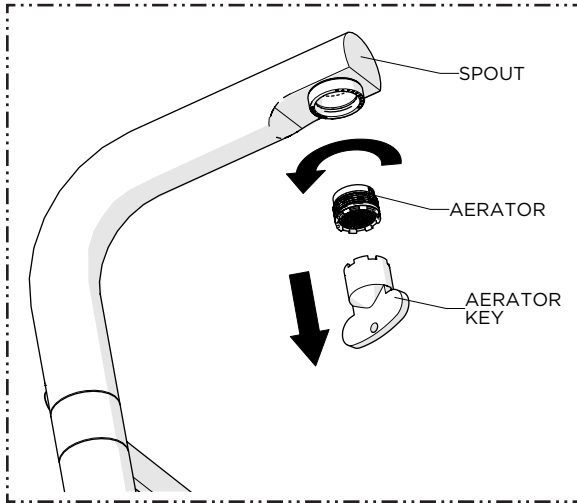
1. Remove the BARREL NUT, METAL WASHER, and RUBBER WASHER from the THREADED ROD.
NOTE: Do **NOT** remove the THREADED ROD or FOAM WASHER beneath the ESCUTCHEON.



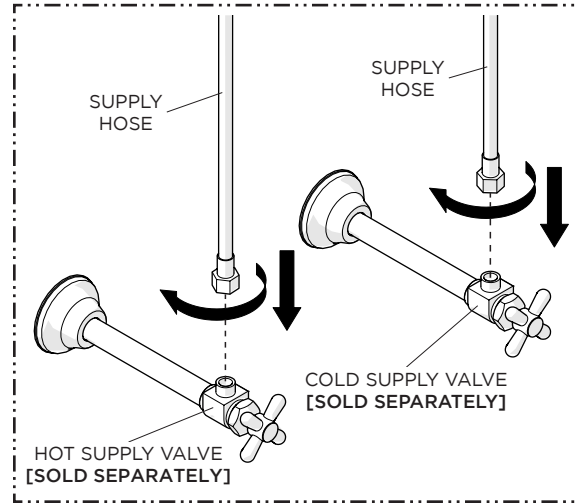
2. Insert the SUPPLY HOSES through the hole on the mounting surface making sure the FOAM WASHER provided is beneath the ESCUTCHEON.



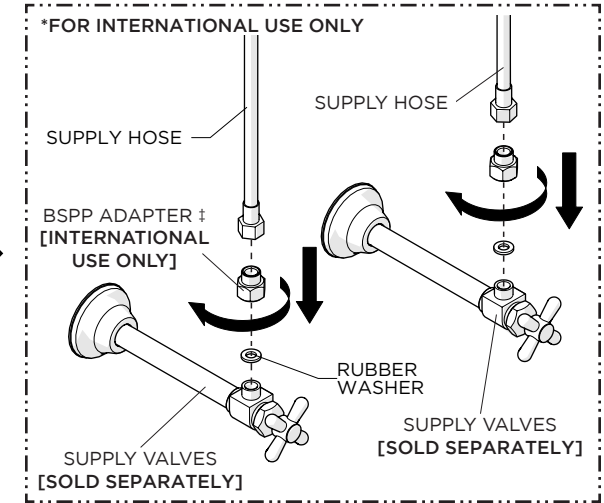
3. Slide the RUBBER WASHER and MOUNTING BRACKET back onto the THREADED ROD then thread and securely tighten the BARREL NUT onto the ROD.
NOTE: Ensure the WASHERS fit properly around the TUBES and HOSES.



4. Remove the AERATOR from the SPOUT using the AERATOR KEY provided.



5. Connect the SUPPLY HOSES to the SUPPLY VALVES (**sold separately**).
NOTE: The HOSES are connected to SUPPLY TUBES that are marked BLUE for cold and RED for HOT.

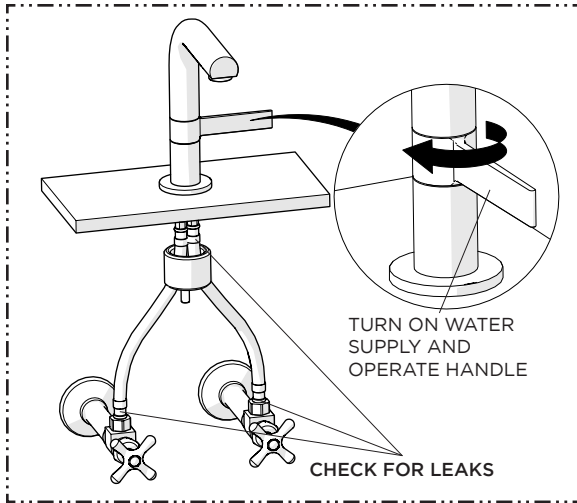


6. Using the RUBBER WASHERS provided, thread and securely tighten the BSPP ADAPTERS onto the SUPPLY VALVES then thread and securely tighten the SUPPLY HOSES onto the ADAPTERS.

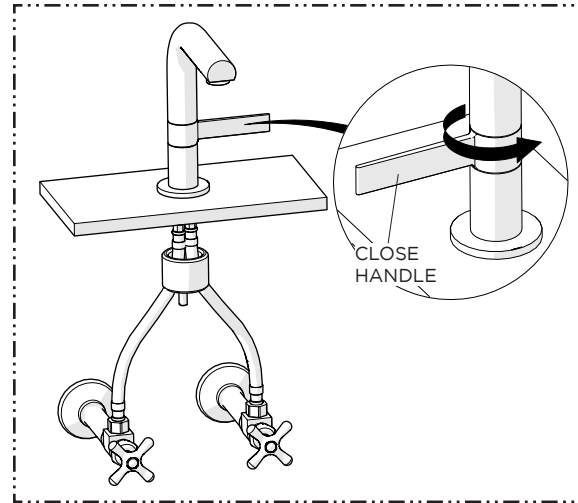
WATERWORKS

INSTALLATION GUIDELINES

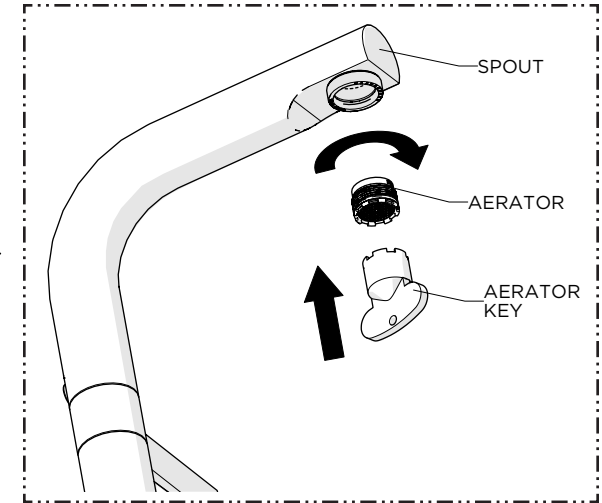
STYLE No. NKM420
 Finot One Hole Bar Faucet with Lever Handle



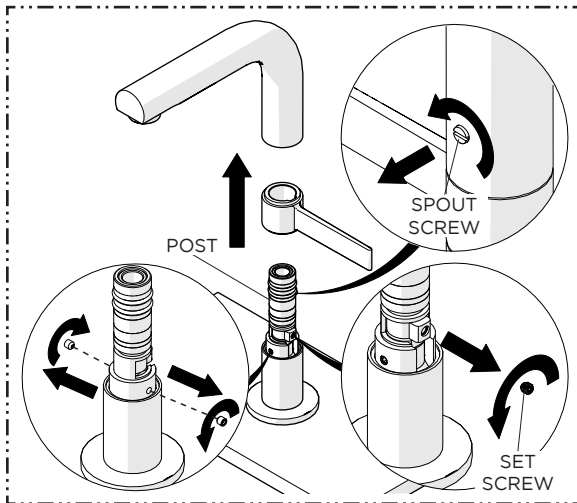
7. Turn on the water supply and operate the HANDLE to flush out the supply lines. Inspect all connections for leaks then close the DRAIN to ensure it functions properly.



8. Close the HANDLE then open the DRAIN to drain the water.



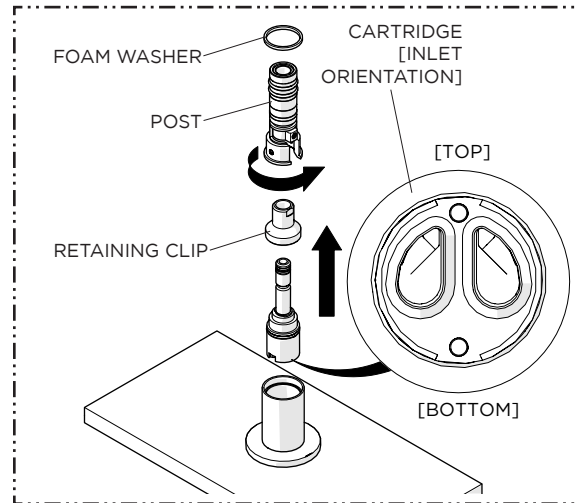
9. Re-install the AERATOR using the tool provided.



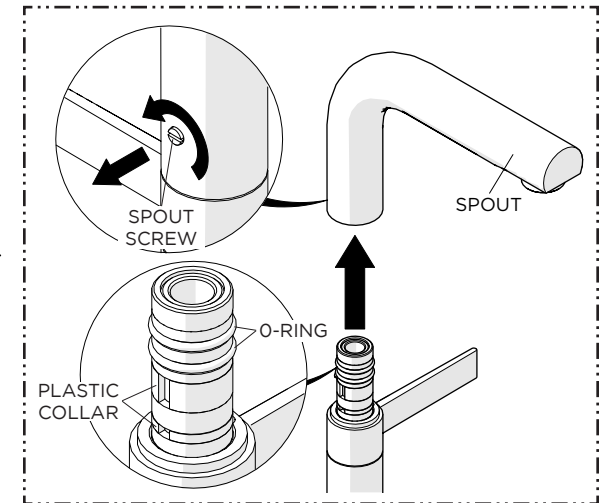
SERVICING THE CARTRIDGE:

1. Unscrew the SPOUT SCREW to detach the HANDLE and SPOUT. Unscrew the SET SCREWS on the POST to release the CARTRIDGE.

NOTE : Ensure valves are closed before starting.



2. Carefully remove the FOAM WASHER and the POST from the assembly. Unthread the retaining clip and gently remove the cartridge for replacement.



SERVICING THE SPOUT:

1. Unthread the SPOUT SCREW at the base of the SPOUT then pull the SPOUT up to expose the