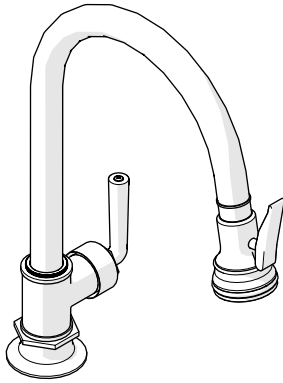


# INSTALLATION GUIDELINES

## GOOSENECK INTEGRATED PULL SPRAY KITCHEN FAUCET

### HENRY GOOSENECK INTEGRATED PULL SPRAY KITCHEN FAUCET WITH LEVER HANDLE



**STYLE**  
HKM711

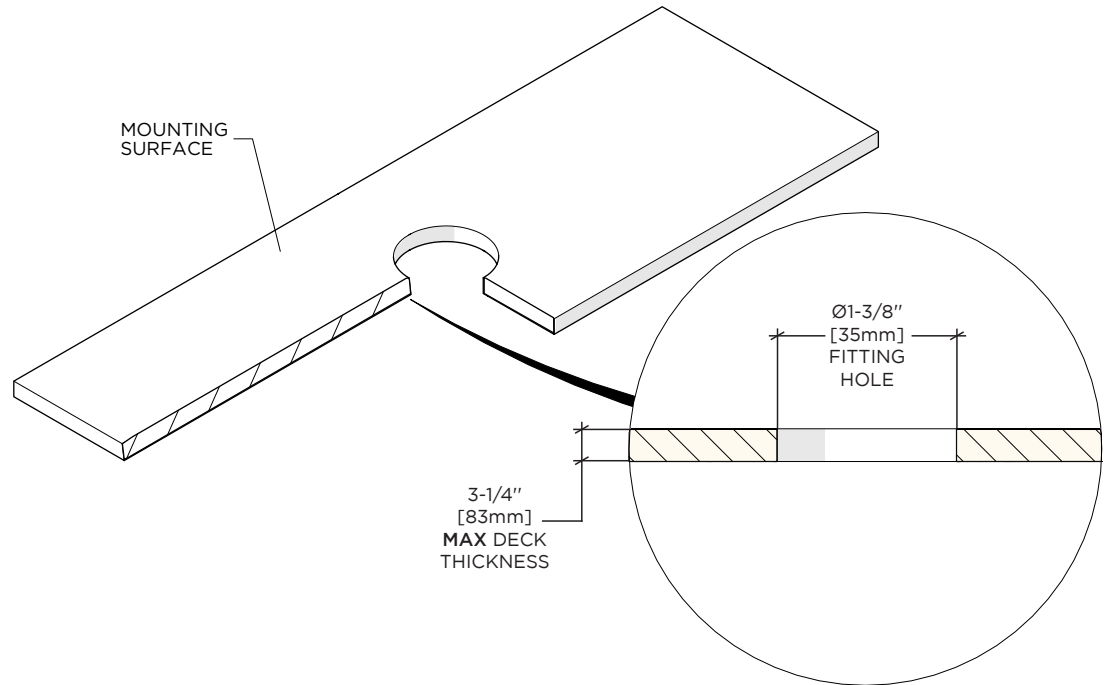
#### IMPORTANT:

- To ensure this product is installed properly, you must read and follow these guidelines.
- The owner/user of this product must keep this information for future reference.
- This product must be installed by a professional licensed contractor.
- Be sure your installation conforms to federal, state, and local codes. In the State of Massachusetts, all installations must comply with the rules and regulations set forth within 248 CMR.
- **CAUTION:** Flushing SUPPLY VALVES (sold separately) prior to installing the KITCHEN FAUCET is recommended. Flushing can prevent damage to the CARTRIDGE and other internal components.
- Inspect this product to ensure you have all the parts required for proper installation.
- Product is **sold partially** assembled but shown fully disassembled for illustrative and service purposes only.
- Use only a strap wrench or protected/smooth-jaw wrench on any finished surface.
- The use of certain plumber's putty may stain stone or tile surfaces.
- If further assistance is required, please contact Product Support at 1-800-927-2120 Monday through Friday, 8am - 6pm EST.

#### TECHNICAL DETAILS:

DETAIL	SPECIFICATION
ADJUSTABLE VERSUS FIXED SPRAY	ADJUSTABLE
HANDLE TURN ANGLE	TILT [25°] AND TURN [90°]
INLET CONNECTION	3/8" COMPRESSION CONNECTOR HOSES †
SPOUT REACH	10-15/16" [262mm]
SPOUT SWIVEL	YES
SPOUT HOSE LENGTH	60" [1.5m]
SPRAY INCLUDED IN UNIT	YES
WATER PRESSURE RANGE	20psi [1.5 bar] <b>MINIMUM</b>
	85psi [6.0 bar] <b>MAXIMUM</b>
	45psi [3.0 bar] <b>RECOMMENDED</b>

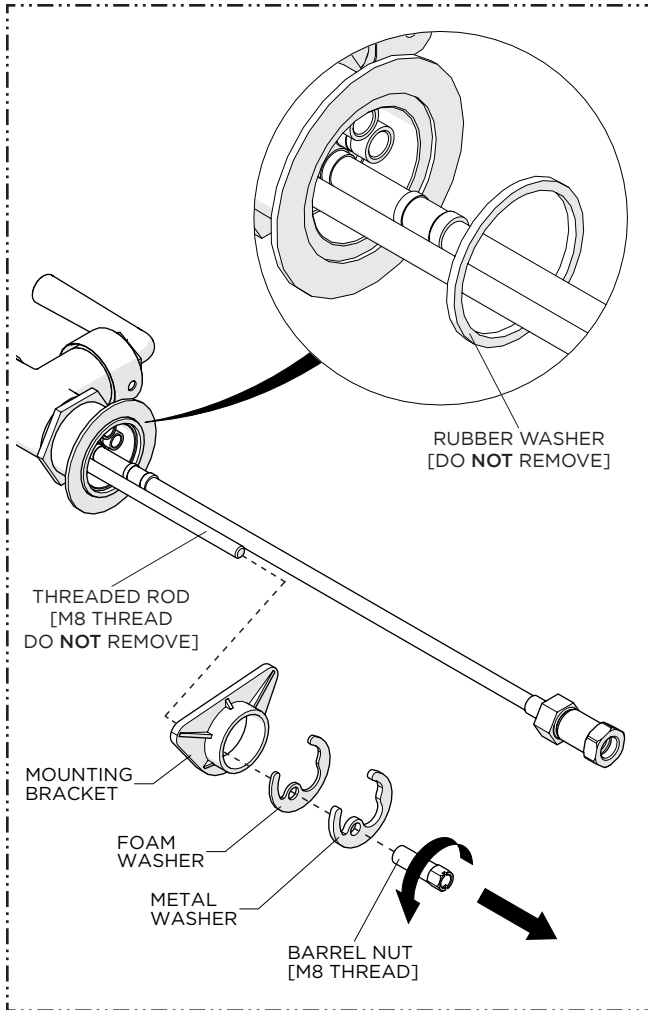
† For **INTERNATIONAL USE ONLY**, two 9/16"-24 UNEF MALE x 3/8" FEMALE BSPP ADAPTERS (STYLE No. UNUK08) and RUBBER WASHERS are provided.



# INSTALLATION GUIDELINES

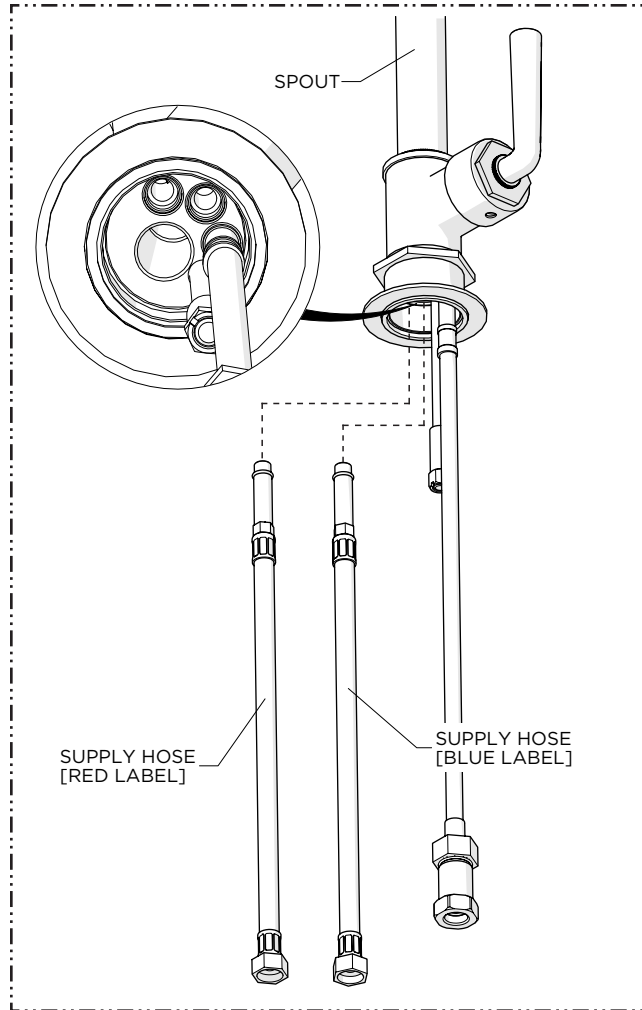
## GOOSENECK INTEGRATED PULL SPRAY KITCHEN FAUCET

WATERWORKS



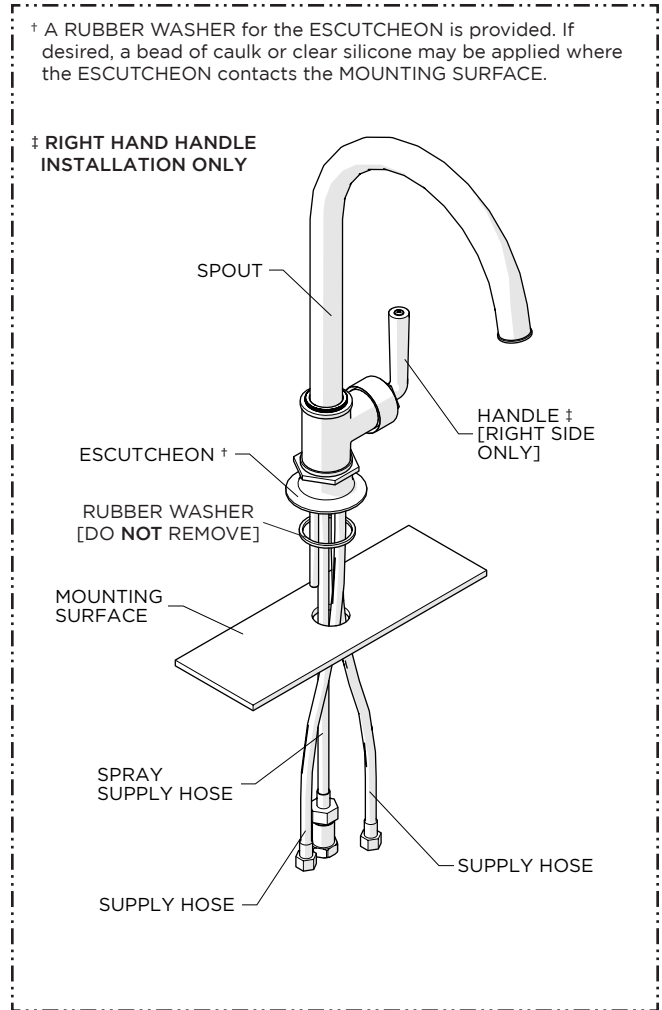
1. Unthread and remove the BARREL NUT from the THREADED ROD, then remove the METAL WASHER, FOAM WASHER, and MOUNTING BRACKET.

**NOTE:** Do **NOT** remove THREADED ROD or RUBBER WASHER beneath the ESCUTCHEON.



2. Thread and securely tighten the SUPPLY HOSES onto the SPOUT.

**NOTE:** The HOSES are M15 x 3/8" COMPRESSION CONNECTOR HOSES and the SUPPLY TUBES are marked BLUE for cold and RED for hot.



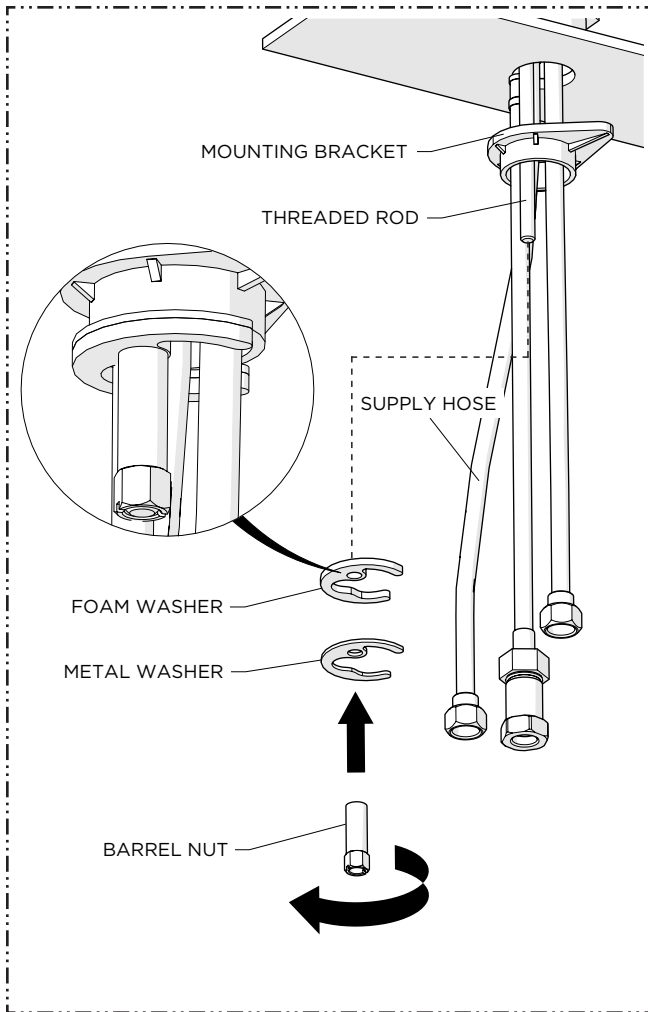
3. Insert the SPOUT through the hole on the MOUNTING SURFACE making sure the RUBBER WASHER provided is beneath the ESCUTCHEON and the HANDLE is aligned on the RIGHT SIDE of the SPOUT.

**NOTE:** The HANDLE can **ONLY** be installed on the RIGHT SIDE.

# INSTALLATION GUIDELINES

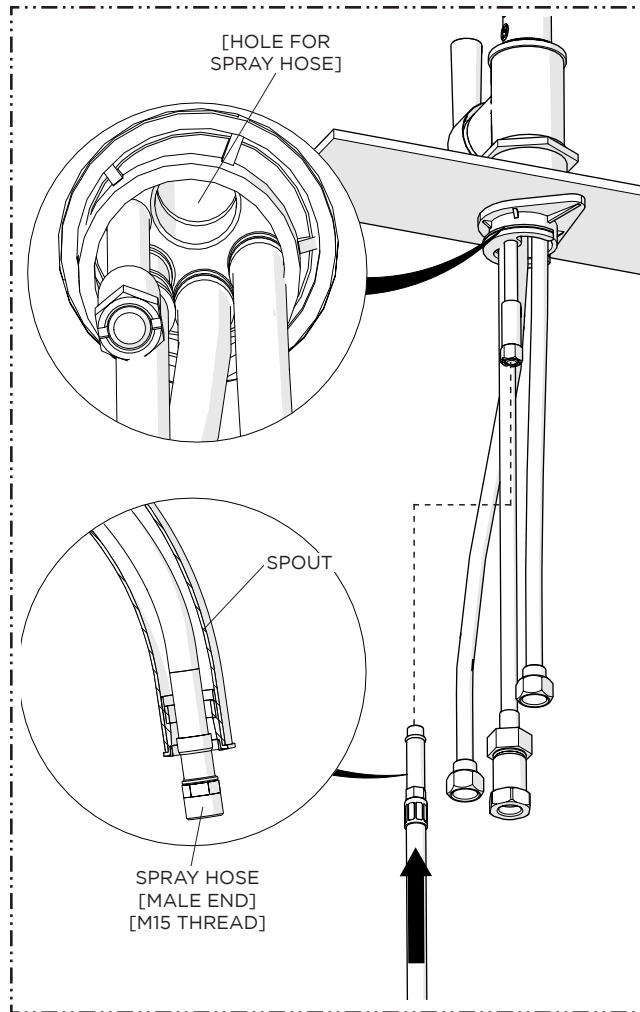
## GOOSENECK INTEGRATED PULL SPRAY KITCHEN FAUCET

WATERWORKS

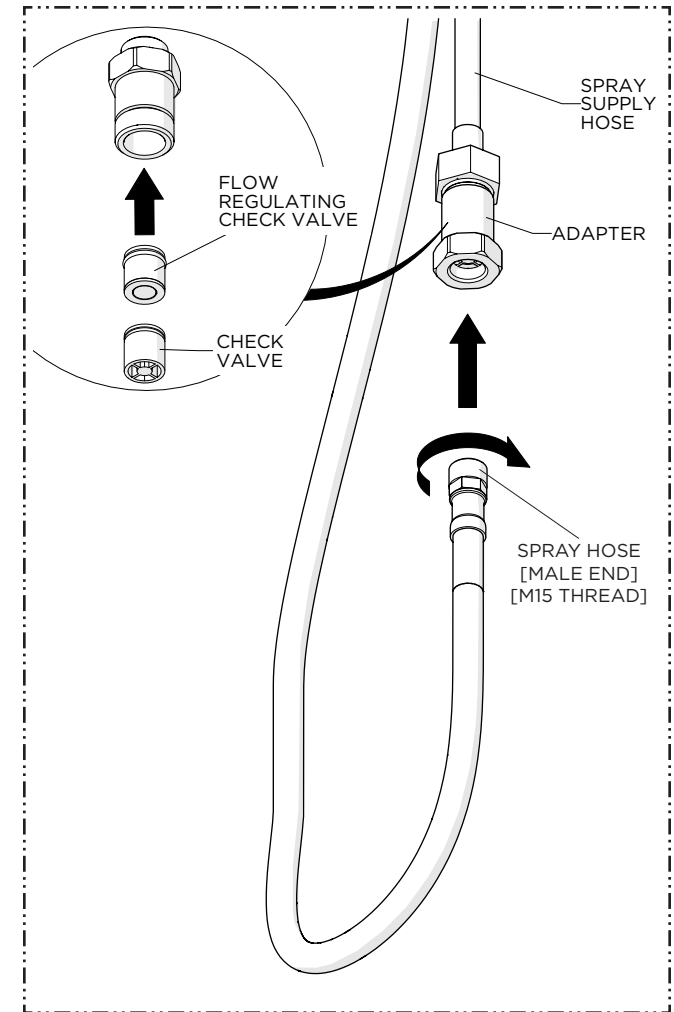


4. Slide the MOUNTING BRACKET over the HOSES and THREADED ROD, place the METAL WASHER onto the THREADED ROD then thread and securely tighten the BARREL NUT onto the THREADED ROD.

**NOTE:** Ensure the METAL WASHER and RUBBER WASHER fits properly around the HOSES.



5. Insert the MALE END of the NYLON SPRAY HOSE through the bottom of the SPOUT until it protrudes from the end of the SPOUT.

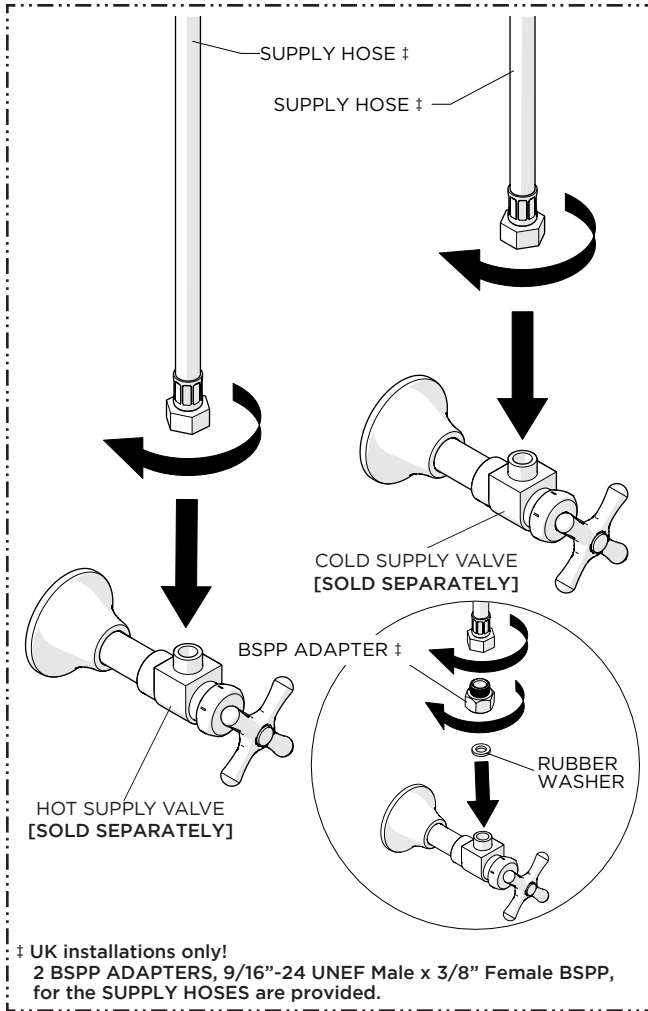


6. Thread and securely tighten the MALE END of the NYLON SPRAY HOSE to the SUPPLY HOSE using the ADAPTER provided.

**NOTE:** A FLOW REGULATING CHECK VALVE is located inside the ADAPTER as well as an additional CHECK VALVE.

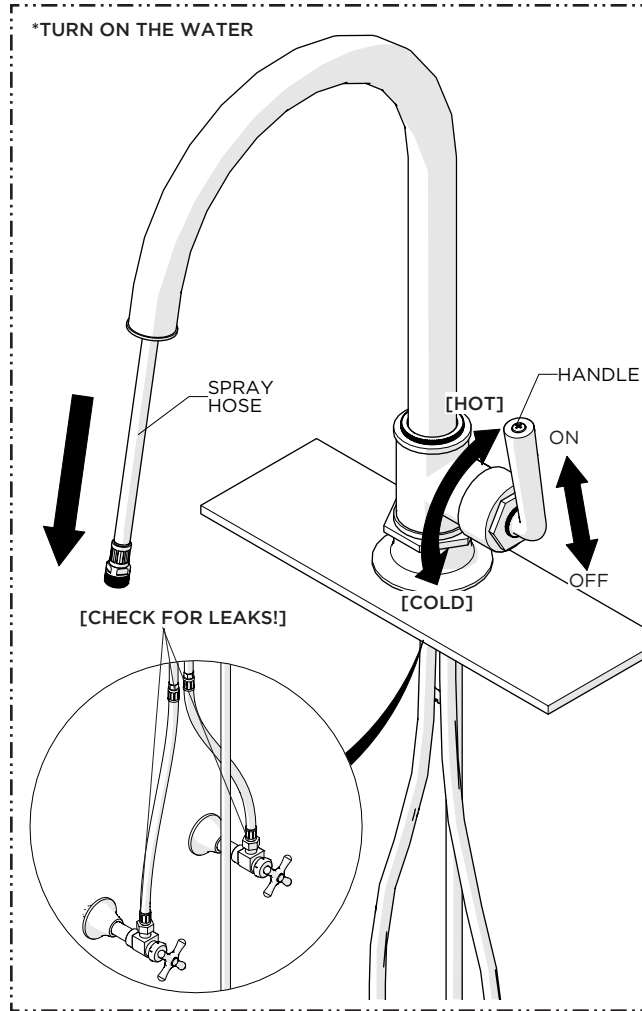
# INSTALLATION GUIDELINES

## GOOSENECK INTEGRATED PULL SPRAY KITCHEN FAUCET



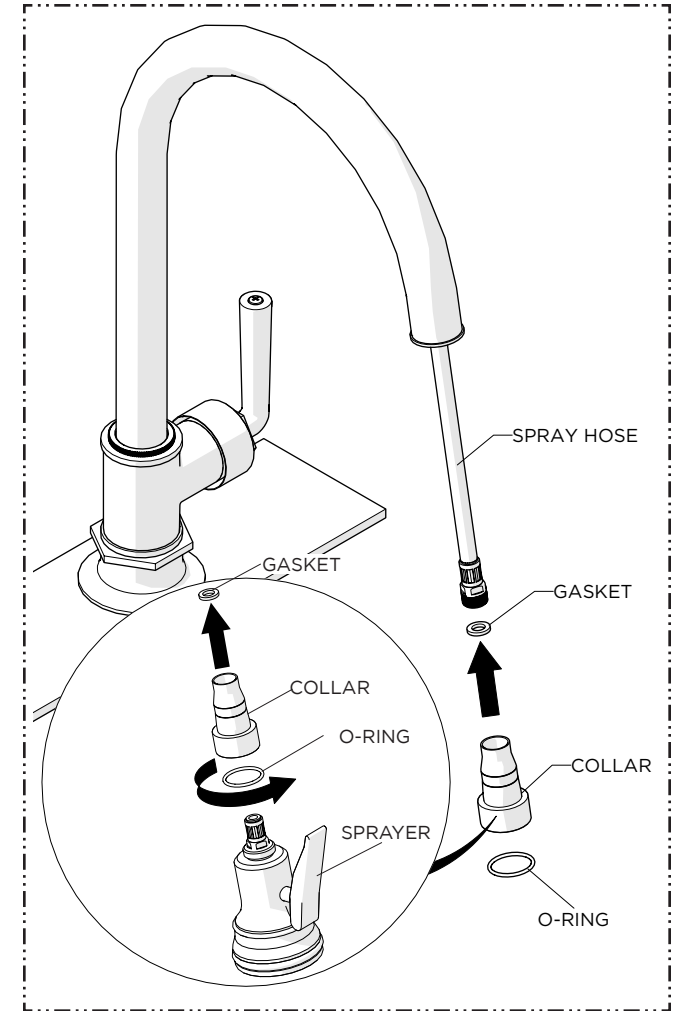
7. Connect the SUPPLY HOSES to the SUPPLY VALVES [sold separately].

**NOTE:** The HOSES are connected to SUPPLY TUBES that are marked BLUE for cold and RED for hot.



8. Turn on the water and operate the HANDLE to ensure it functions properly and to flush out any debris in the SUPPLY LINES then check all connections for leaks, and turn off the water.

**CAUTION:** Flush out the SUPPLY LINES prior to installing the SPRAYER.

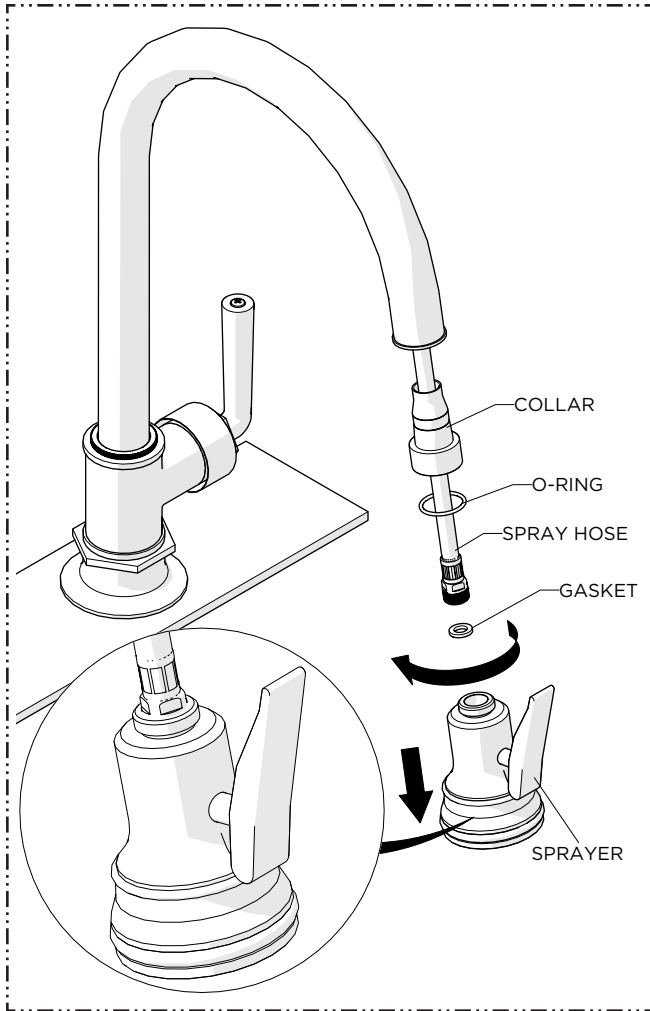


9. Unthread and remove the COLLAR from the top of the SPRAYER then slide the COLLAR over the SPRAY HOSE.

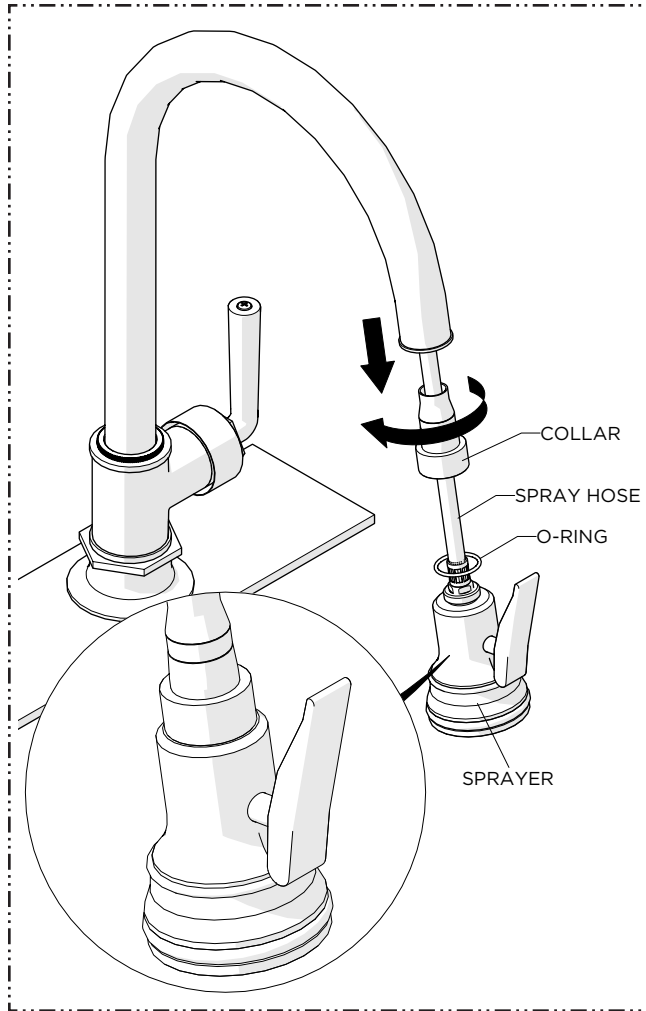
# INSTALLATION GUIDELINES

## GOOSENECK INTEGRATED PULL SPRAY KITCHEN FAUCET

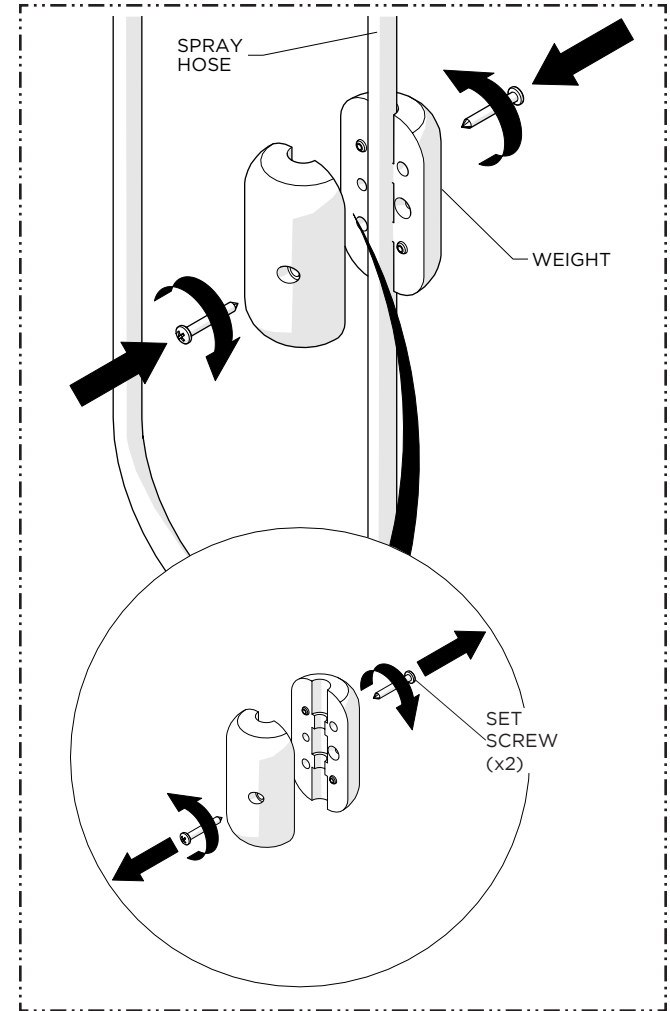
WATERWORKS



10. Thread and securely tighten the SPRAY HOSE into the SPRAYER using the GASKET provided.



11. Thread and securely tighten the COLLAR back onto the SPRAYER.

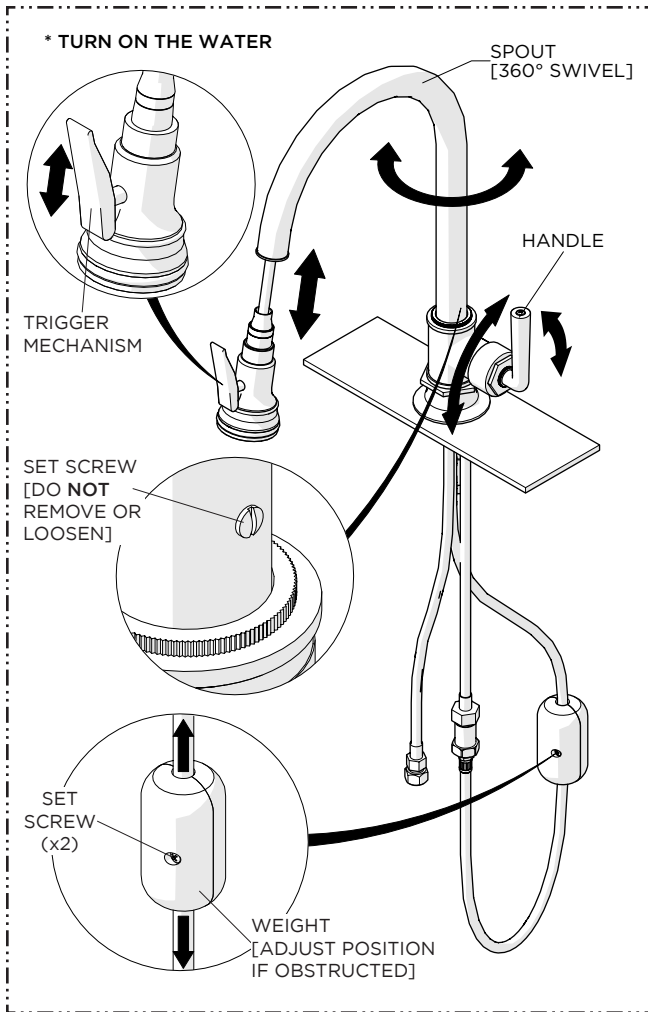


12. Loosen and remove the SCREWS on the WEIGHT using a Phillips head screwdriver, separate the two parts of the WEIGHT, place around the SPRAY HOSE then tighten the SCREWS to secure the WEIGHT in the desired position.

# INSTALLATION GUIDELINES

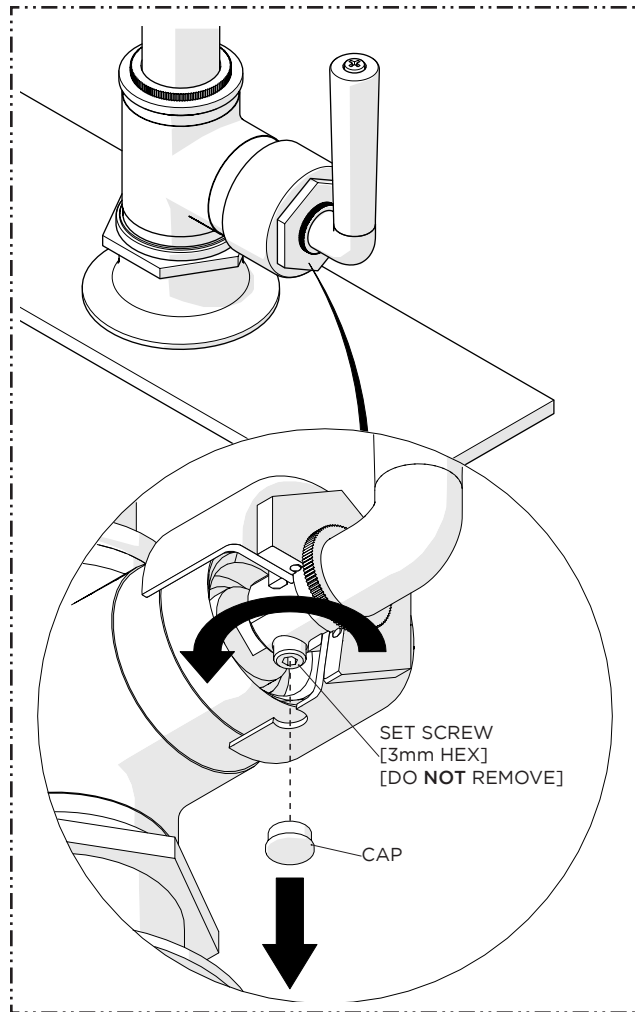
## GOOSENECK INTEGRATED PULL SPRAY KITCHEN FAUCET

WATERWORKS



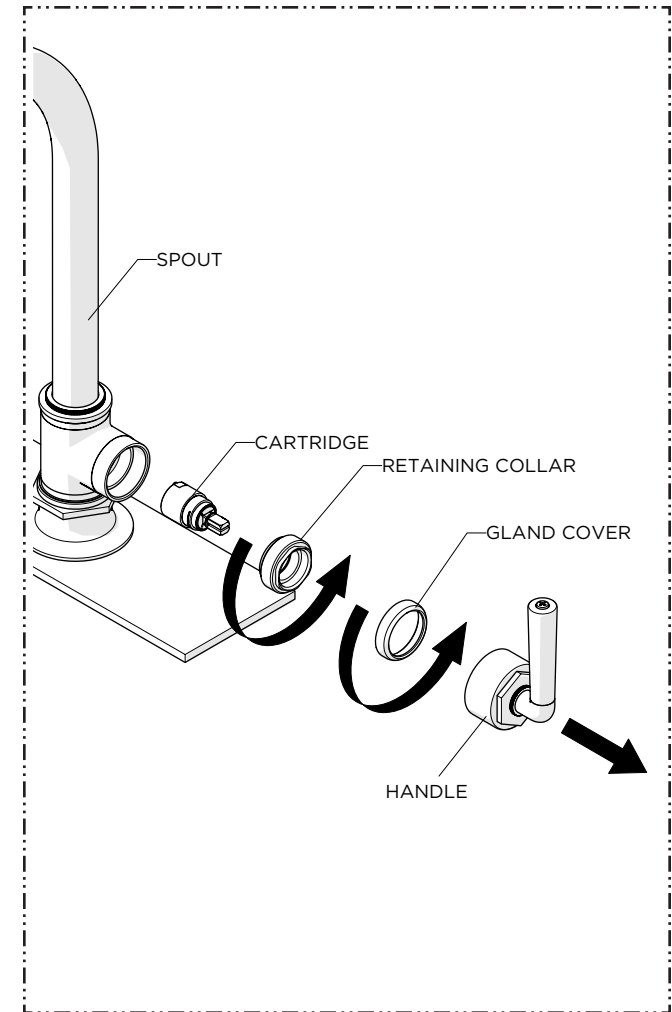
13. Turn on the water and operate the SPRAYER to ensure it functions properly making sure the WEIGHT can move freely beneath the cabinet and the SPOUT is able to swivel properly. Adjust the position of the WEIGHT if necessary.

**NOTE:** Do NOT loosen or remove the SET SCREW at the base of the SPOUT.



### SERVICING THE CARTRIDGE:

1. Remove the CAP at the base of the HANDLE then unthread, but do NOT remove, the SET SCREW using the 3mm HEX KEY.

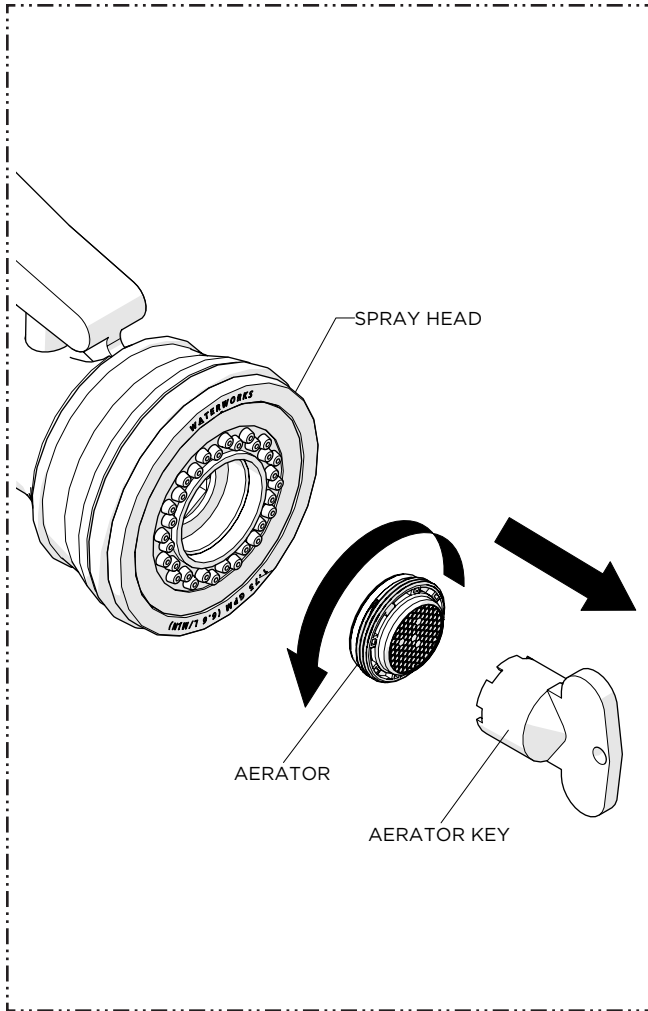


2. Remove the HANDLE, unthread and remove the GLAND COVER, unthread and remove the RETAINING COLLAR then remove the CARTRIDGE.

# SERVICING GUIDELINES



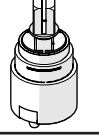
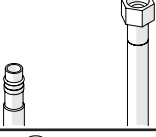
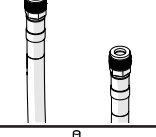

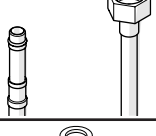
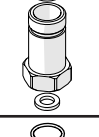

## GOOSENECK INTEGRATED PULL SPRAY KITCHEN FAUCET

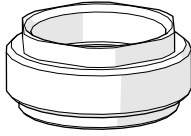

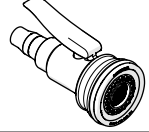
WATERWORKS



### SERVICING AERATOR:

1. Remove the AERATOR from the SPRAY HEAD using the provided tool, turn on the water supply to flush out the debris, inspect all connections for **leaks**, and then re-install the AERATOR using the provided tool.

SERVICE PARTS:	PART No.	DESCRIPTION
	103678	CHECK VALVE KIT
	535592	FLOW REGULATING CHECK VALVE
	999382	CARTRIDGE
	100271	SUPPLY HOSE [M10 MALE x 3/8" COMPRESSION FEMALE (9/16-24 UNEF)]
	100274	SPRAY HOSE [M15 MALE x M15 MALE]
	100275	MOUNTING HARDWARE KIT
	100276	SUPPLY HOSE [M10 MALE x 1/2" FEMALE]
	100279	CHECK VALVE HOUSING
	101100	SPOUT SEAL KIT

	PART No.	DESCRIPTION
	101113	RETAINING NUT
	101115	WEIGHT
	HNU036	SPRAY

# SERVICING GUIDELINES

## GOOSENECK INTEGRATED PULL SPRAY KITCHEN FAUCET

