

INSTALLATION GUIDELINES

UNIVERSAL SHOWERHEAD

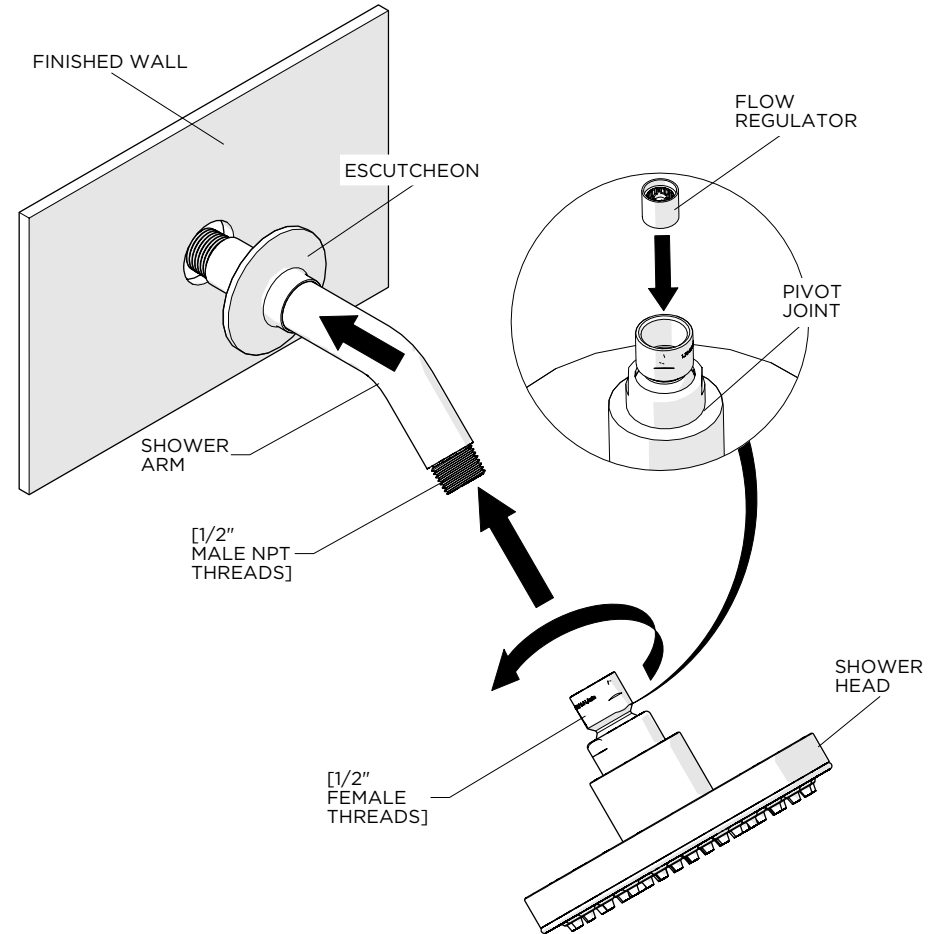
IMPORTANT:

- To ensure this product is installed properly, you must read and follow these guidelines.
- The owner/user of this product must keep this information for future reference.
- This product must be installed by a professional licensed contractor and must be on-site prior to rough-in, this allows the installer to visualize the installation.
- Be sure your installation conforms to federal, state, and local codes. In the State of Massachusetts, all installations must comply with the rules and regulations set forth within 248 CMR.
- Inspect this product to ensure you have all the parts required for proper installation.
- Use only a strap wrench or protected/smooth-jaw wrench on any finished surface.
- The use of certain plumber's putty may stain stone or tile surfaces.
- If further assistance is required, please contact Product Support at 1-800-927-2120 Monday through Friday, 8am - 6pm EST.
- For use with VALVES rated at 1.3gpm [4.9L/min] or higher.
- Showerheads larger than 6" are not recommended for use with the Universal Wall Mounted 45 Degree Shower Arms.
- The USH106, USH206 and USH305 showerheads are not intended to comply with the EPA WaterSense when they are used with a wall mounted 45 degree shower arm.

TECHNICAL DETAILS:

INLET CONNECTION	1/2" FEMALE THREADS
INTEGRATED DIVERTER	NO
PIVOT	YES
WATER PRESSURE RANGE	20psi [1.5 bar] MIN 85psi [6.0 bar] MAX
WATER PRESSURE RECOMMENDED	45psi [3.0 bar]

WALL INSTALLATION SHOWN:



1. Flush out the supply line prior to installing the SHOWERHEAD.
2. On the 1/2" male NPT thread end of the SHOWER ARM, use plumbers tape or Pipe Thread Sealant to ensure water tight seal.
3. Thread and securely tighten the PIVOT JOINT onto the SHOWER ARM.
NOTE: A FLOW REGULATOR is located inside the PIVOT JOINT.
4. Run water through the SHOWERHEAD and ensure it pivots and functions properly.
NOTE: Some SHOWERHEADS have adjustable spray features.
5. Check for leaks and complete the installation.

INSTALLATION GUIDELINES

UNIVERSAL WALL & CEILING MOUNTED SHOWER ARMS

IMPORTANT:

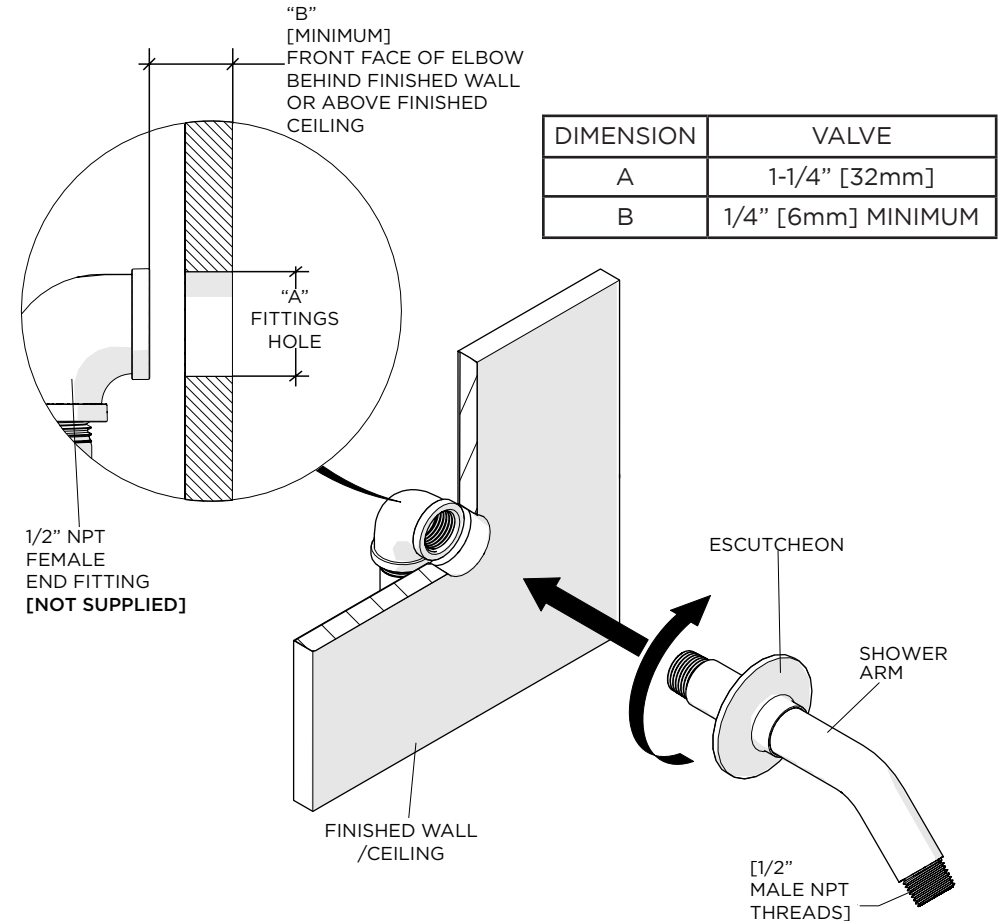
- To ensure this product is installed properly, you must read and follow these guidelines.
- The owner/user of this product must keep this information for future reference.
- This product must be installed by a professional licensed contractor and must be on-site prior to rough-in, this allows the installer to visualize the installation.
- Showerheads larger than 6" are not recommended for use with the Universal Wall Mounted 45 Degree Shower Arms.
- Be sure your installation conforms to all federal, state, and local codes. In the State of Massachusetts, all installations must comply with the rules and regulations set forth within 248 CMR.
- Inspect this product to ensure you have all the parts required for proper installation. Parts may be packaged separately.
- Product is sold partially assembled but shown fully disassembled for illustrative and service purposes only.
- Use only a strap wrench or protected/smooth-jaw wrench on any finished surface.
- The use of certain plumber's putty may stain stone or tile surfaces.
- If further assistance is required, please contact Product Support at 1-800-927-2120 Monday through Friday, 8am - 6pm EST.

TECHNICAL DETAILS:

INLET CONNECTION	1/2" MALE NPT
OUTLET CONNECTION	1/2" MALE NPT
INTEGRATED DIVERTER	NO
WATER PRESSURE RANGE	20psi [1.5 bar] MIN 85psi [6.0 bar] MAX
WATER PRESSURE RECOMMENDED	45psi [3.0 bar]

ROUGH-IN: ROUGH-IN: WALL INSTALLATION SHOWN

- Determine the ideal location for the SHOWER ARM and rough-in a well supported 1/2" NPT FEMALE END FITTING (not supplied) to the appropriate depth from the finished wall or ceiling.



1. Slide the ESCUTCHEON onto the SHOWER ARM (ceiling or wall mounted) then thread and securely tighten the SHOWER ARM into the installed end fitting.
2. Run cold and hot water through the SHOWER ARM for several minutes to flush out any dirt and debris in the supply line and check all connections for leaks.
3. Complete the installation.