



SHOWN IN VIAWORKS 1/2" THERMOSTATIC VALVE | GU60TH

TECHNICAL DETAILS

Fittings Hole Diameter: 64 mm
Inlet Connection Size: 1/2"
Inlet Connection Type: Male G/BSP
Outlet Connection Size: 1/2"
Outlet Connection Type: Male G/BSP
Primary Material: Brass
Valve Material: Wax Element
Water Pressure Maximum: 6.0 bar
Water Pressure Minimum: 1.5 bar
Water Pressure Recommended: 3.0 bar

INSPIRATION

The ViaWorks collection encompasses all Waterworks valves, which are just as impeccably engineered as our legendary fittings and the finest the industry has to offer in terms of performance, features and functionality. ViaWorks valves are engineered with more than three generations of bath and kitchen expertise, each with installers and lifelong service in mind.

CODES & STANDARDS

PRODUCT FEATURES

Integrated anti-scald protection.

1/2" NPT Connections, color and engraved marking to identify hot and cold water connections

6 gpm (gallons per minute) unrestricted maximum flow at 60 psi

Flows water to up to two shower components simultaneously

Made in Europe of Brass Construction

CERTIFICATIONS

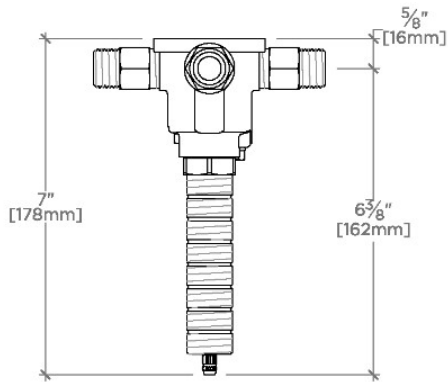
PRODUCT (NOTES)

WATERWORKS

ViaWorks

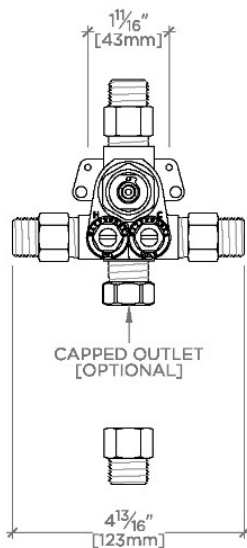
GU60TH

ViaWorks 1/2" Thermostatic Valve

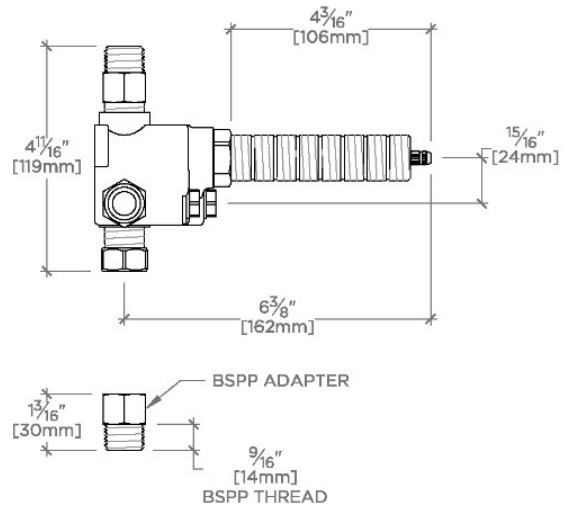


TOP VIEW SCALE: 3"=1'-0"

ADAPTER(S) PACKAGED SEPARATELY		
ADAPTER	DESCRIPTION	QTY
UNUK03	1/2" NPT Female x 1/2" Male BSPP Adapter	4



FRONT VIEW SCALE: 3"=1'-0"



SIDE VIEW SCALE: 3"=1'-0"