

## Henry

Henry Double Sided Glass Mounted Hooks

HNRHG2



SHOWN IN HENRY DOUBLE SIDED GLASS MOUNTED HOOKS | HNRHG2

### TECHNICAL DETAILS

---

### INSPIRATION

---

Influenced by the connection of industry and art Henry easily transitions between modern, traditional, utilitarian and classic settings.

### CODES & STANDARDS

---

### PRODUCT FEATURES

---

All Mounting Hardware Included

Solid Brass Construction

Can accommodate glass thickness between 1/4" [6mm] to 3/4" [18mm]

Stocked in Brass, Chrome, Nickel and Dark Nickel

### CERTIFICATIONS

---

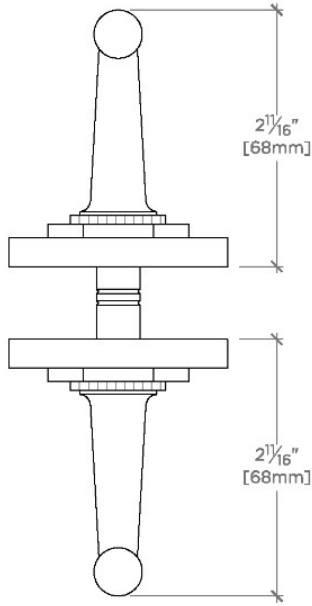
### PRODUCT (NOTES)

---

## Henry

## HNRHG2

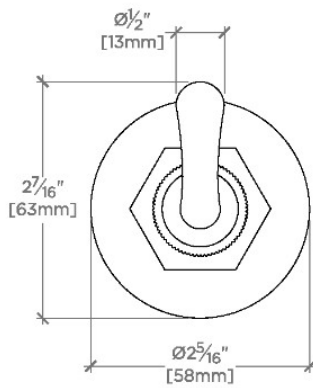
Henry Double Sided Glass Mounted Hooks



TOP VIEW

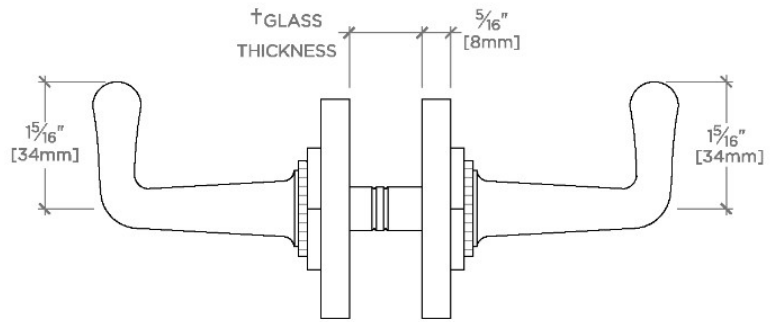
SCALE: 6"=1'-0"

† THIS PRODUCT CAN BE INSTALLED ON GLASS THAT IS  
1/4" [6mm], 3/8" [10mm], 1/2" [13mm], OR 3/4" [19mm].



FRONT VIEW

SCALE: 6"=1'-0"



SIDE VIEW

SCALE: 6"=1'-0"