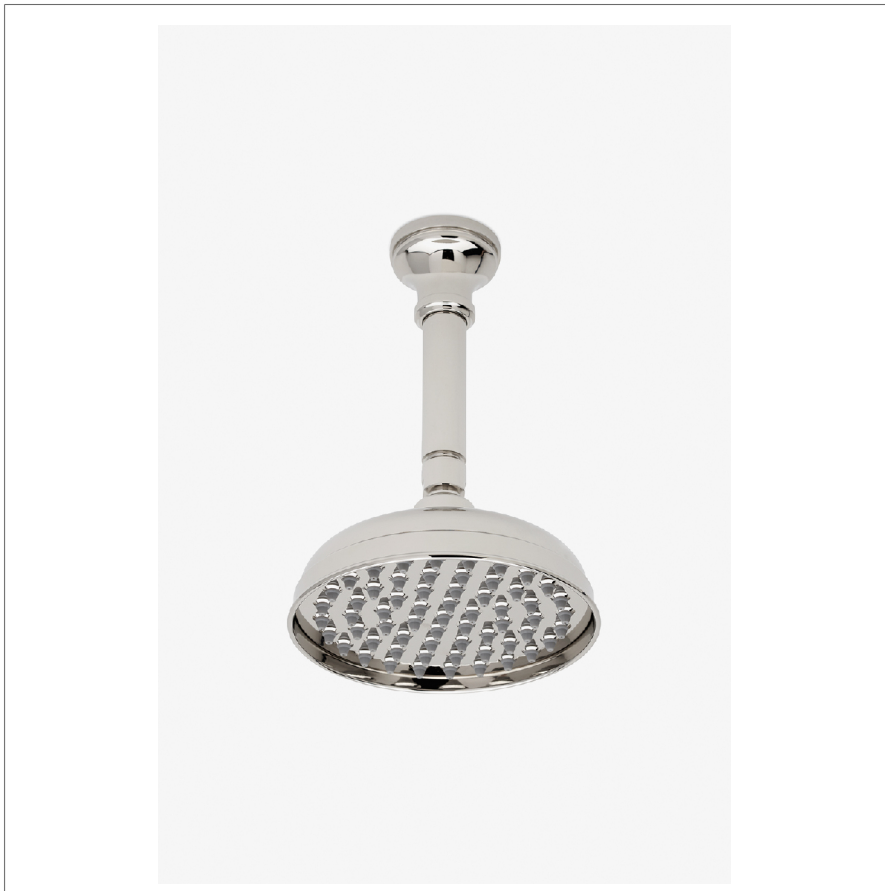


FORO

FRS160

Foro 6" Showerhead with 6" Ceiling Mounted Shower Arm



SHOWN IN FORO 6" SHOWERHEAD WITH 6" CEILING MOUNTED SHOWER ARM | FRS160

TECHNICAL DETAILS

Adjustable Versus Fixed Spray: Fixed
 Fittings Hole Diameter: 1 1/4"
 Flow Restriction Options: 1.5, 1.75, 2.0
 Inlet Connection Size: 1/2"
 Inlet Connection Type: Male NPT
 Pivot: Y
 Primary Material: Brass
 Restricted Maximum Flow Rate: 1.75 gpm
 Water Pressure Maximum: 85.0 psi
 Water Pressure Minimum: 20.0 psi
 Water Pressure Recommended: 45.0 psi

INSPIRATION

A mix of historical references, including finely etched vintage silver, come together in this twist on classical design - a wonderfully elegant formal statement.

CODES & STANDARDS

FRS160X, ASME A112.18.1/CSA B125.1, CEC(1.5GPM & 1.75GPM Only), WaterSense(1.5GPM, 1.75GPM & 2.0GPM Only), DOE, State of MA

PRODUCT FEATURES

- Made of Brass
- Features a swivel 6" showerhead with easy clean rubber nozzles
- Includes a 6" ceiling mounted shower arm
- Stocked in Brass, Chrome, Nickel and Matte Nickel
- Showerhead available in 1.75gpm (6.6L/min) flow rate

CERTIFICATIONS



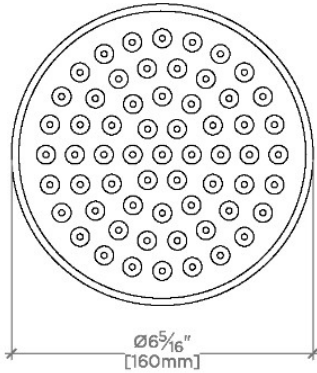
PRODUCT (NOTES)

WATERWORKS

FORO

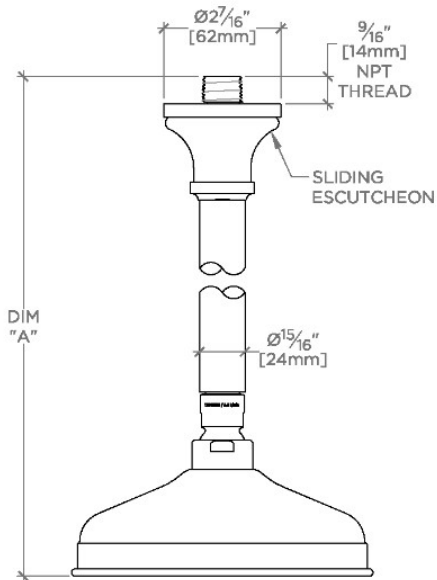
FRS160

Foro 6" Showerhead with 6" Ceiling Mounted Shower Arm

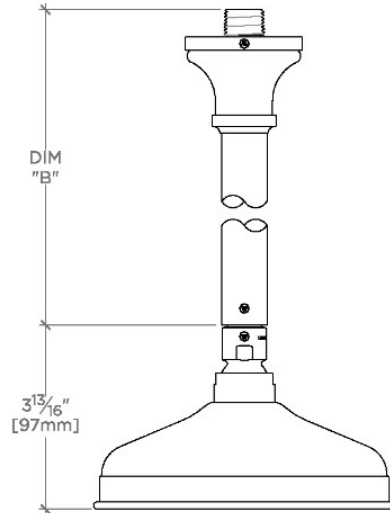


CEILING VIEW SCALE: 3"=1'-0"

STYLE NO.	DIM "A"	DIM "B"
ETS160	10 ³ / ₈ " [264mm]	6 ⁹ / ₁₆ " [167mm]
FRS160		
JUS160		
ETS161	16 ³ / ₈ " [417mm]	12 ⁹ / ₁₆ " [319mm]
FRS161		
JUS161		



FRONT VIEW SCALE: 3"=1'-0"



SIDE VIEW SCALE: 3"=1'-0"