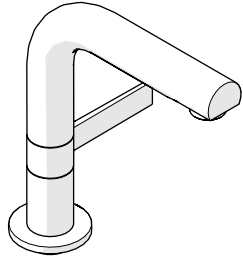


INSTALLATION GUIDELINES

WALL MOUNTED ARTICULATED POT FILLER

FINOT ONE HOLE BAR FAUCET WITH LEVER HANDLE



STYLE
NLS420

IMPORTANT:

- To ensure this product is installed properly, you must read and follow these guidelines.
- The owner/user of this product must keep this information for future reference.
- This product must be installed by a professional licensed contractor.
- Be sure your installation conforms to all federal, state, and local codes. In the State of Massachusetts, all installations must comply with the rules and regulations set forth within 248 CMR.
- Inspect this product to ensure you have all the parts required for proper installation.
- This product is **sold partially** assembled but shown fully disassembled for illustrative and service purposes only.

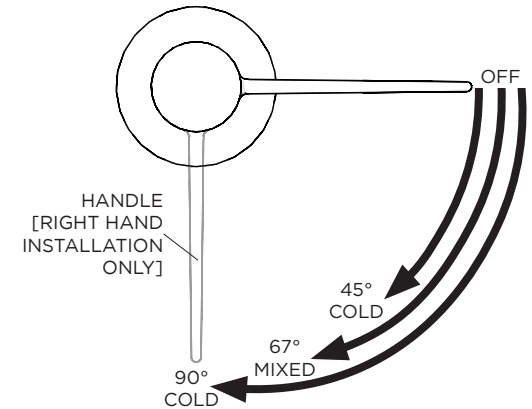
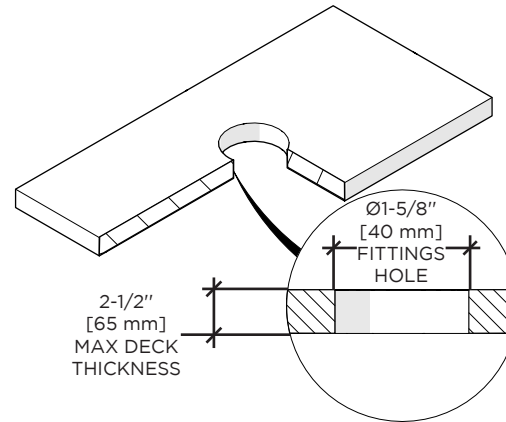
CAUTION:

- Flushing the SUPPLY VALVES (**sold separately**) prior to installing the LAVATORY FAUCET is recommended. Flushing can prevent damage to the CARTRIDGE and other internal components.
- Use only a strap wrench or protected/smooth-jaw wrench on any finished surface.
- The use of certain plumber's putty may stain stone or tile surfaces.
- If further assistance is required, please contact Product Support at 1-800-927-2120 Monday through Friday, 8am - 6pm EST.
- Refer to the separate Service Parts Documents for available replacement parts.

TECHNICAL DETAILS:

DETAIL	SPECIFICATION
DRAIN DEPTH	3/8" [10 mm] MINIMUM - 2" [51 mm] MAXIMUM
DRAIN HOLE DIAMETER	Ø1-1/2" [38 mm]
DRAIN STYLE	PUSH-TOUCH
INLET CONNECTION	3/8" COMPRESSION CONNECTOR HOSES †
SPOUT REACH	5-3/8" [136 mm]
SPOUT SWIVEL	YES
WATER PRESSURE	20psi [1.5 bar] MINIMUM - 85psi [6.0 bar] MAXIMUM
WATER PRESSURE RECOMMENDED	45psi [3.0 bar]

† For **INTERNATIONAL USE ONLY**, two 9/16"-24 UNEF MALE x 3/8" FEMALE BSPP ADAPTERS and RUBBER WASHERS are provided.

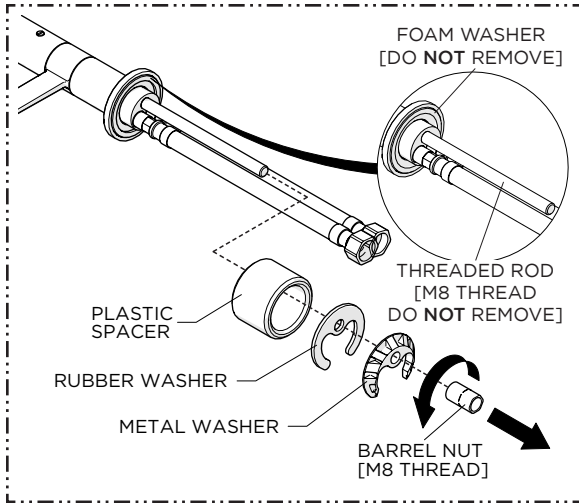


HANDLE OPERATION:

- This product is equipped with a PROGRESSIVE MIXING CARTRIDGE which incorporates tactile feedback.
 - The user will feel slight haptic bumps as they operate the HANDLE.
 - These bumps indicate when the CARTRIDGE is at full cold and warm water temperatures.
- The HANDLE rotates a 1/4 turn counterclockwise through cold, warm, and hot water temperatures as shown below.

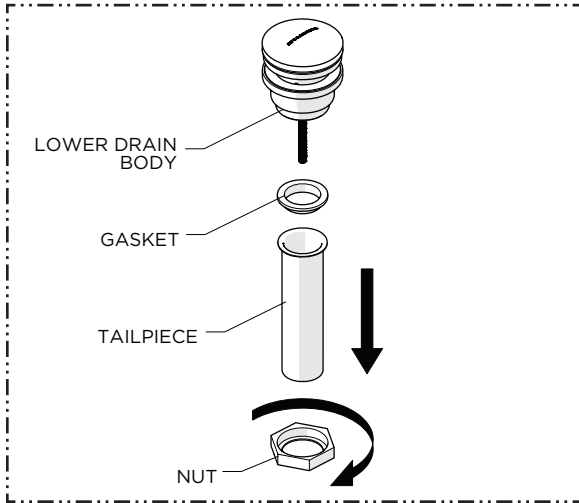
INSTALLATION GUIDELINES

WALL MOUNTED ARTICULATED POT FILLER

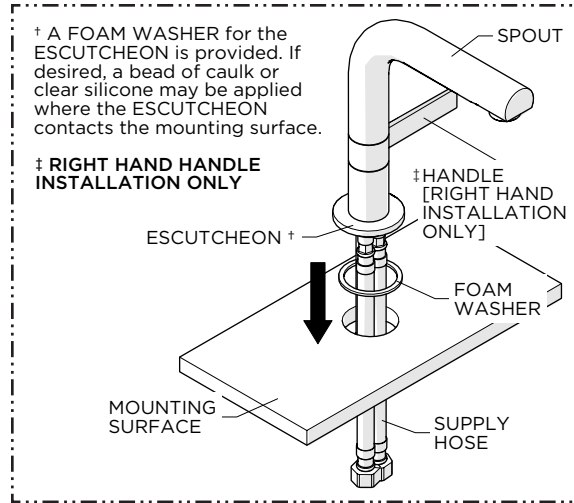


1. Remove the BARREL NUT, METAL WASHER, and RUBBER WASHER from the THREADED ROD.

NOTE: Do **NOT** remove the THREADED ROD or FOAM WASHER beneath the ESCUTCHEON.



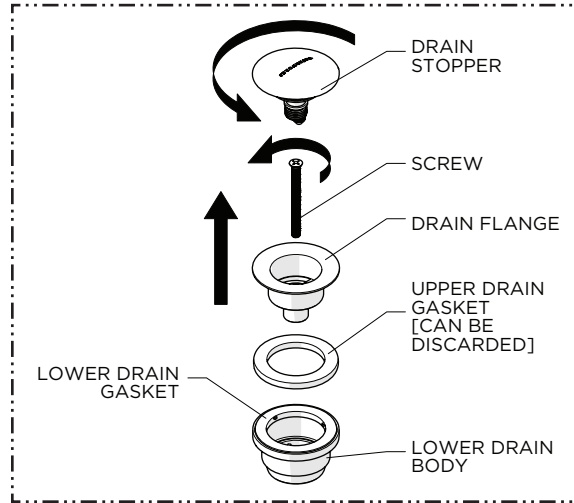
4. Unthread and remove the NUT, TAILPIECE, and GASKET from the LOWER DRAIN BODY.



† A FOAM WASHER for the ESCUTCHEON is provided. If desired, a bead of caulk or clear silicone may be applied where the ESCUTCHEON contacts the mounting surface.

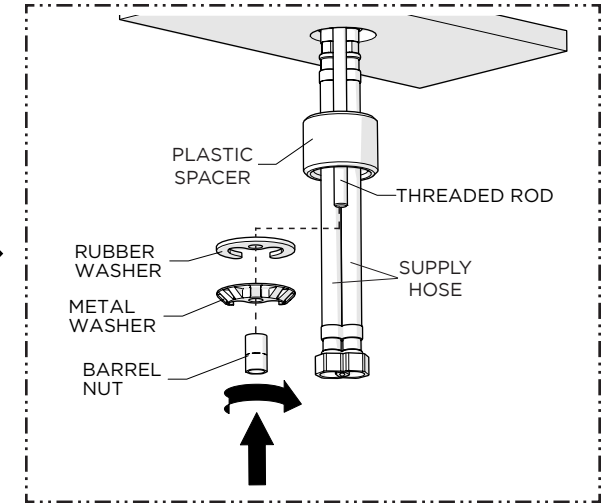
‡ **RIGHT HAND HANDLE INSTALLATION ONLY**

2. Insert the SUPPLY HOSES through the hole on the mounting surface making sure the FOAM WASHER provided is beneath the ESCUTCHEON.



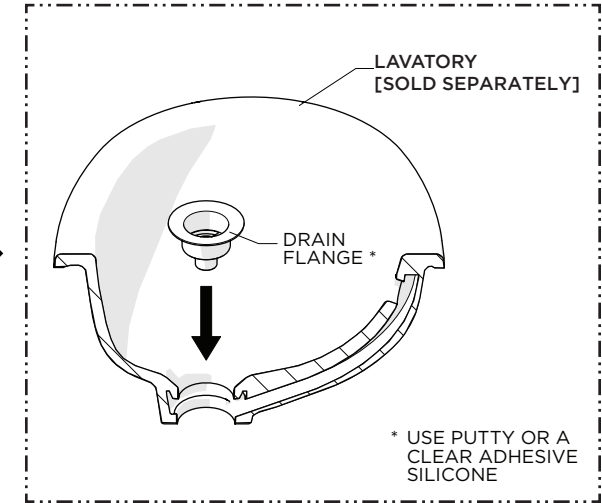
5. Remove the DRAIN STOPPER from the DRAIN FLANGE then unthread the SCREW from the LOWER DRAIN BODY.

NOTE: Do **NOT** remove or discard the LOWER DRAIN GASKET.



3. Slide the RUBBER WASHER and MOUNTING BRACKET back onto the THREADED ROD then thread and securely tighten the BARREL NUT onto the ROD.

NOTE: Ensure the WASHERS fit properly around the TUBES and HOSES.

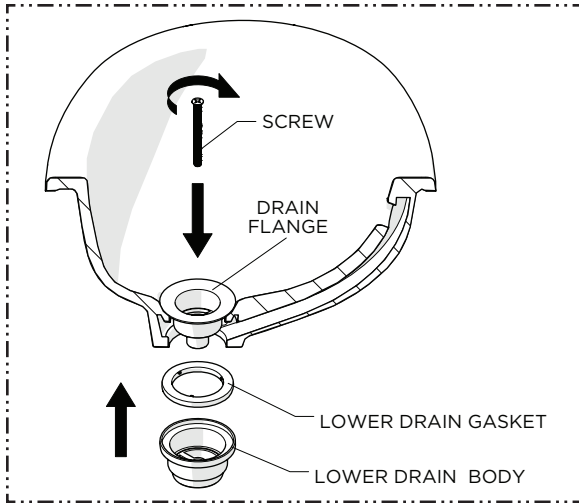


6. Set the DRAIN FLANGE into the LAVATORY (sold separately) using putty or a clear silicone.

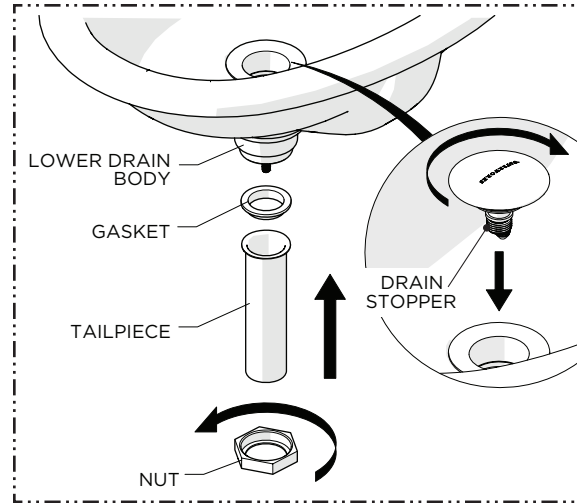
* USE PUTTY OR A CLEAR ADHESIVE SILICONE

INSTALLATION GUIDELINES

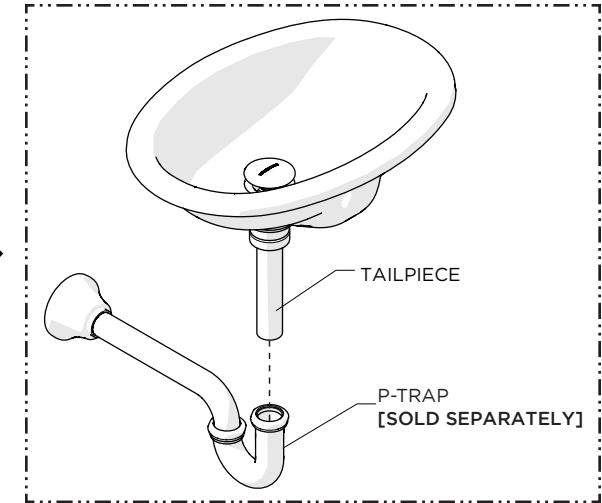
WALL MOUNTED ARTICULATED POT FILLER



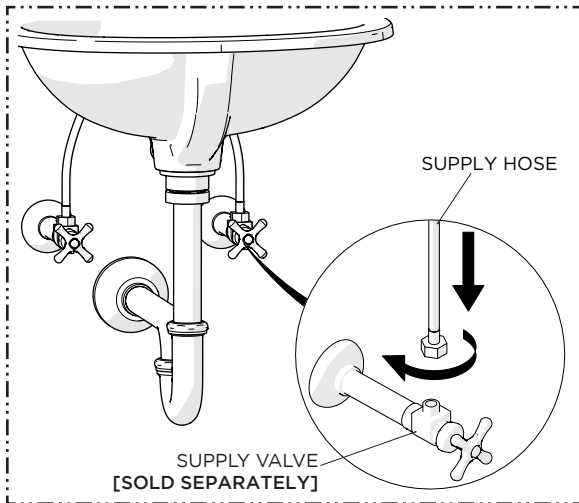
7. Insert the SCREW provided into the FLANGE then thread and securely tighten the SCREW into the LOWER DRAIN BODY making sure the LOWER DRAIN GASKET makes a full seal on the underside of the LAVATORY.



8. Re-install the DRAIN STOPPER and TAILPIECE using the GASKET and NUT provided.

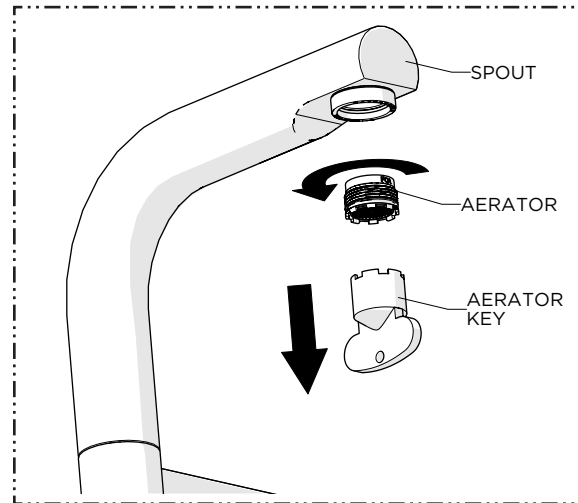


9. Make final P-TRAP (sold separately) connections.

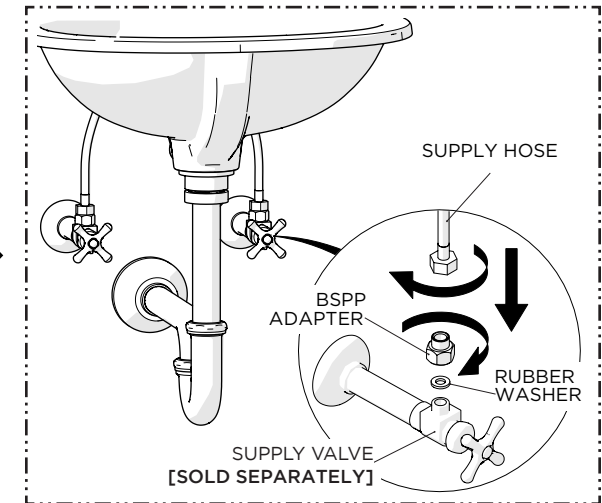


10. Connect the SUPPLY HOSES to the SUPPLY VALVES (sold separately).

NOTE: The HOSES are connected to SUPPLY TUBES that are marked BLUE for cold and RED for HOT.



11. Remove the AERATOR from the SPOUT using the AERATOR KEY provided.

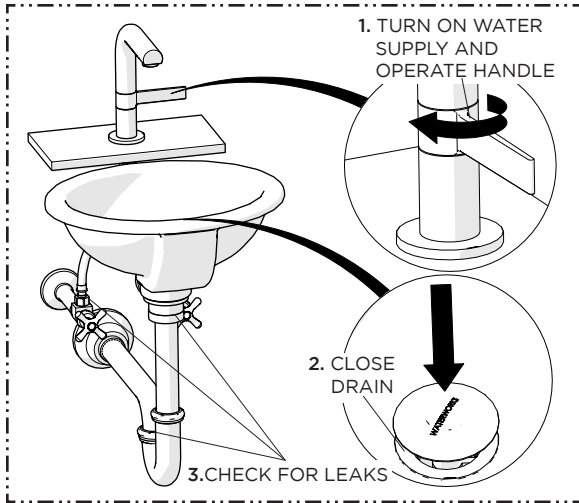


FOR INTERNATIONAL INSTALLATIONS ONLY:

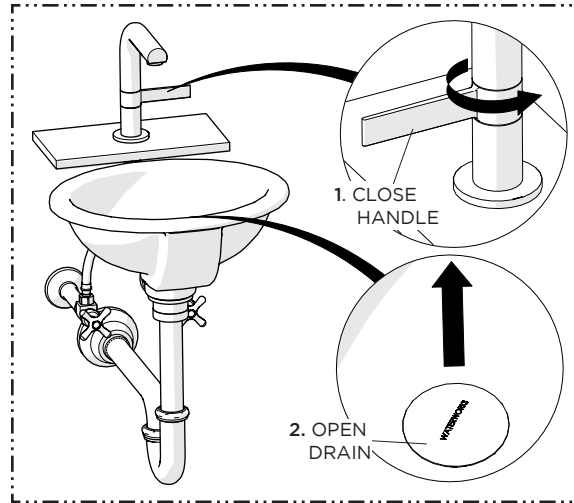
12. Using the RUBBER WASHERS provided, thread and securely tighten the BSPP ADAPTERS onto the SUPPLY VALVES then thread and securely tighten the SUPPLY HOSES onto the ADAPTERS.

INSTALLATION GUIDELINES

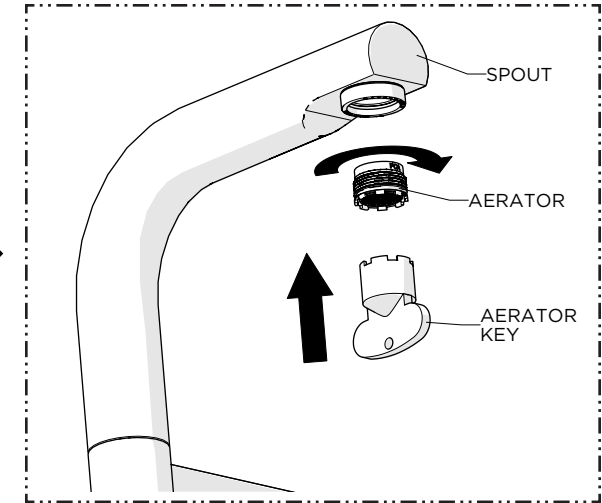
WALL MOUNTED ARTICULATED POT FILLER



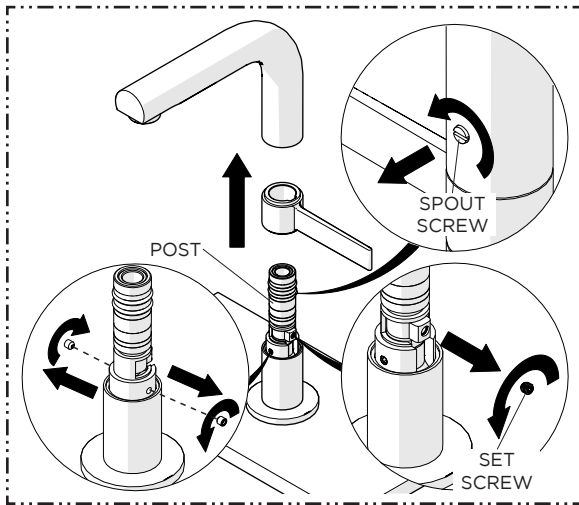
13. Turn on the water supply and operate the HANDLE to flush out the supply lines. Inspect all connections for leaks then close the DRAIN to ensure it functions properly.



14. Close the HANDLE then open the DRAIN to drain the water.



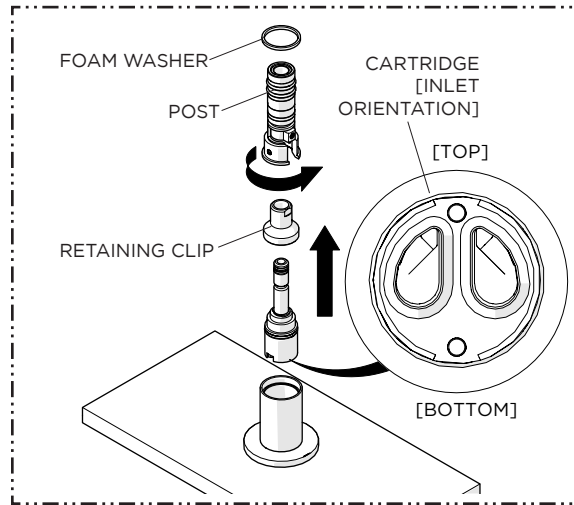
15. Re-install the AERATOR using the tool provided.



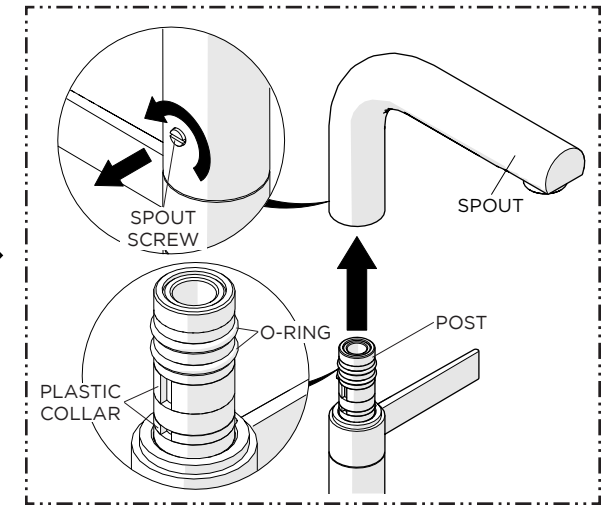
SERVICING THE CARTRIDGE:

1. Unscrew the SPOUT SCREW to detach the HANDLE and SPOUT. Unscrew the SET SCREWS on the POST to release the CARTRIDGE.

Note: Ensure valves are closed before starting.



2. Carefully remove the FOAM WASHER and the POST from the assembly. Unthread the retaining clip and gently remove the cartridge for replacement.



SERVICING THE SPOUT:

1. Unthread the SPOUT SCREW at the base of the SPOUT then pull the SPOUT up to expose the POST.