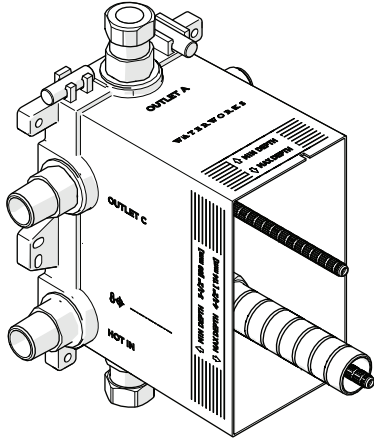


WATERWORKS

INSTALLATION GUIDELINES

STYLE NO. GUTH62, GU62TH†



REQUIRED PLUMBING DETAILS:

- For use with SHOWER HEADS or HANDSHOWERS rated at 1.3gpm [4.9L/min] or higher.
- This VALVE **CANNOT** be used with a **DIVERTING** TUB SPOUT.

IMPORTANT:

- To ensure this VALVE is installed properly, you must read and follow these guidelines.
- The owner/user of this VALVE must keep this information for future reference.
- This VALVE and associated TRIM (SOLD SEPARATELY) must be installed by a professional licensed contractor and must be onsite prior to rough-in. This allows the installer to visualize the installation.
- **CAUTION:** The VALVE rough-in depth is measured from the center of the inlets to the surface of the finished wall.
- This VALVE is sold partially assembled but shown fully disassembled for illustrative and service purposes only. Inspect the VALVE to ensure you have all the parts required for proper installation.
- This VALVE features anti-scald protection. The risk of scalding exists until the installer has properly calibrated/adjusted the temperature setting during final TRIM installation.
- Be sure your installation conforms to all federal, state, and local codes. In the State of Massachusetts, all installations must comply with the rules and regulations set forth within 248 CMR.

STYLE No. GUTH62, GU62TH

ViaWorks ViaBox™ 1/2" Integrated Thermostatic Valve with Two Way Diverter

- Supply fittings are designed in accordance with pressure and temperature ratings specified in ASME A112.18.1/B125.
- If this VALVE will remain unused for an extended period of time (over 3 months), then the water to the VALVE should be shut off (via service stops or system control valve) and the diverter or wall valve(s) should be opened to allow the water in the THERMOSTATIC VALVE to evaporate. This is to keep the CARTRIDGE from being exposed to stagnant or hard water, which can cause the VALVE to malfunction.
- If further assistance is required, please contact Product Support at 1-800-927-2120 Monday through Friday, 8am - 6pm EST.
- Refer to the separate Service Parts Documents for available replacement parts.

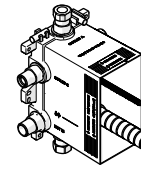
TECHNICAL DETAILS:

DETAIL	SPECIFICATION
INLET/OUTLET CONNECTIONS	1/2" MALE NPT †
ROUGH-IN DEPTH	4-1/2" [114mm] MAXIMUM 3-1/2" [89mm] MINIMUM
UNRESTRICTED MAX FLOW RATE @ 45 PSI [3 bar]	5gpm [18.9L/min]
WATER PRESSURE MAXIMUM	85psi [6.0 bar]
WATER PRESSURE MINIMUM	20psi [1.5 bar]
WATER PRESSURE RECOMMENDED	45psi [3.0 bar]

† Style No. **GU62TH** is provided with 5 **BSPP** ADAPTERS. ADAPTERS are packaged separately and assembly is required. Replacement ADAPTERS can be ordered separately:

- Universal 1/2" NPT Female x 1/2" Male BSPP Adapter
STYLE No. UNUK03

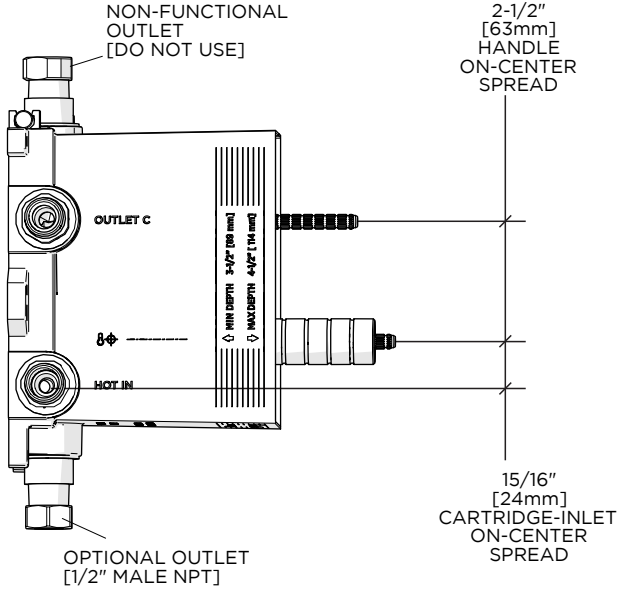
WATERWORKS INSTALLATION GUIDELINES



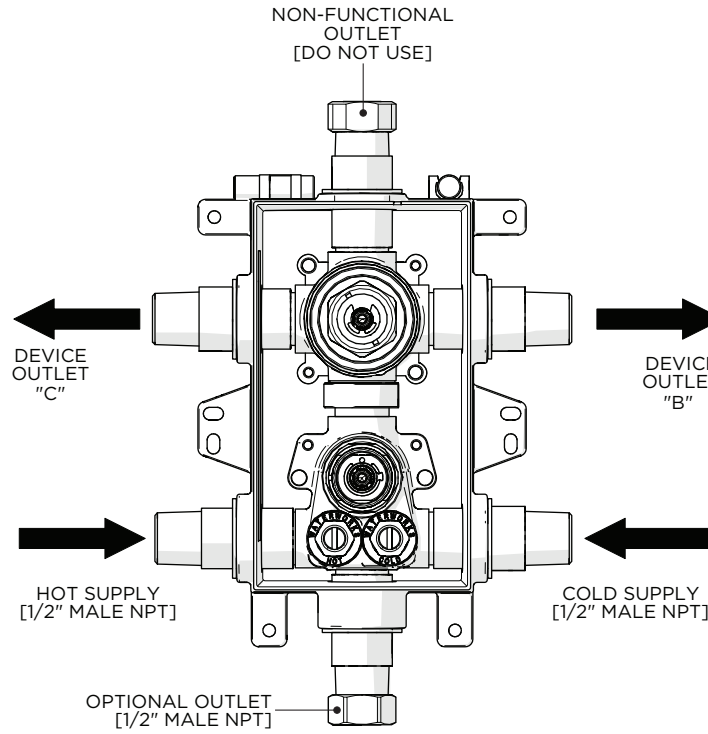
STYLE No. GUTH62, GU62TH

ViaWorks ViaBox™ 1/2" Integrated Thermostatic Valve with Two Way Diverter

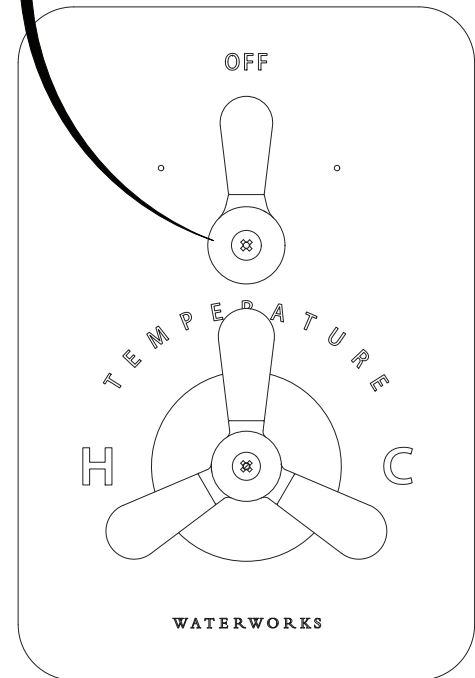
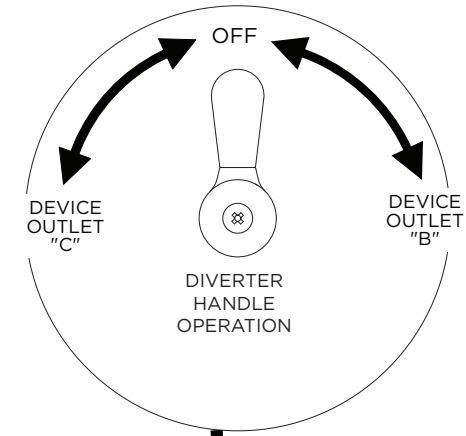
VALVE FUNCTION AND HANDLE OPERATION:



- The THERMOSTATIC VALVE only mixes hot and cold water, it does not have an on/off/volume control function. Mixed water flows out at a fixed volume to the INTEGRATED DIVERTER VALVE which has 3 positions.
 - 2 ON positions that can direct water flow to a **MAXIMUM** of 2 devices. Water **CANNOT** flow out of the devices simultaneously (i.e. out of the shower head AND handshower together).
 - 1 OFF position that shuts the water off to all devices.
 - The INTEGRATED DIVERTER VALVE incorporates tactile feedback at each position.
- The THERMOSTATIC VALVE has an optional bottom outlet port that can be used to supply water to 1 additional fitting which will require a **separate** WALL VALVE and TRIM.
- **ALL VALVES AND TRIMS SOLD SEPARATELY.**

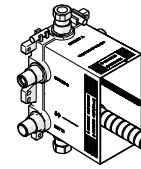


[GUTH62 SHOWN]



[SAMPLE TRIM - MARKINGS WILL VARY]

WATERWORKS INSTALLATION GUIDELINES

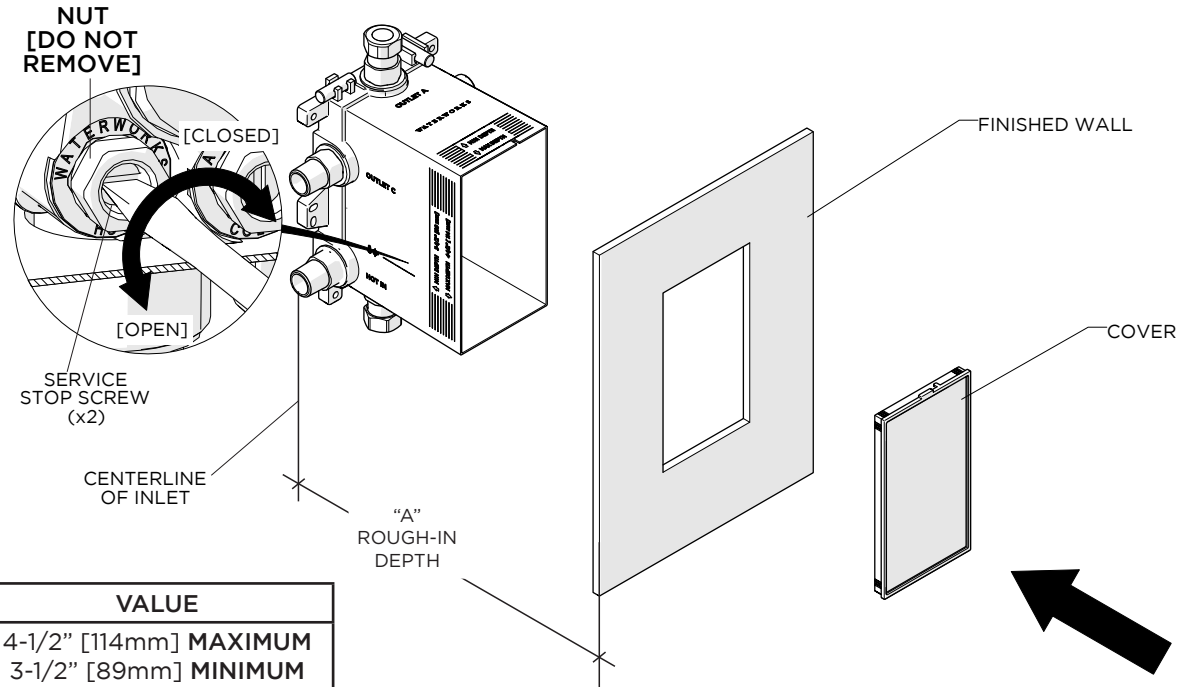


STYLE No. GUTH62, GU62TH

ViaWorks ViaBox™ 1/2" Integrated Thermostatic Valve with Two Way Diverter

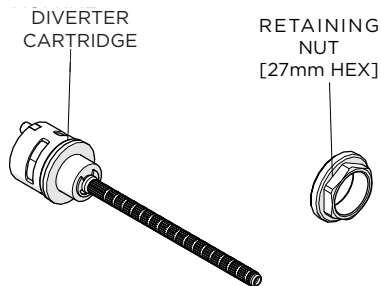
ROUGH-IN AND VALVE PREPARATION:

- Check incoming water pressure.
- **IMPORTANT:**
 - The rough-in depth is measured from the centerline of the inlets to the surface of the finished wall.
- **CAUTION:**
 - **DO NOT APPLY DIRECT HEAT TO THE VALVE.** Pre-solder any connections to prevent damage to the SERVICE STOP SEALS, THERMOSTATIC CARTRIDGE, and other internal components.
 - This VALVE is shipped with a pre-installed FLUSH PLATES and is ready for flushing the lines.
 - Before installing the THERMOSTATIC CARTRIDGE, the supply lines MUST BE flushed out to prevent clogging of the FILTER SCREENS.
 - Failure to flush the lines will permanently damage the CARTRIDGE and **VOID** the warranty. Repeat the flushing process as needed prior to final TRIM installation.
 - This VALVE includes integrated SERVICE STOPS.



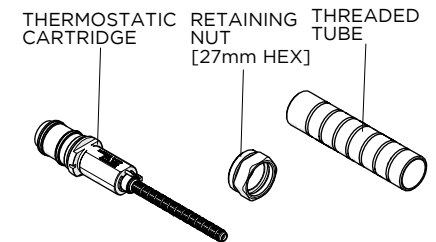
DIM	VALUE
A	4-1/2" [114mm] MAXIMUM 3-1/2" [89mm] MINIMUM

IMPORTANT: The TWO WAY DIVERTER CARTRIDGE and RETAINING NUT are packaged separately and provided with the VALVE. **SET ASIDE UNTIL FINAL TRIM INSTALLATION!**



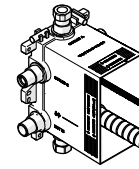
- ‡ SERVICE PART
- TWO WAY DIVERTER CARTRIDGE KIT
STYLE No. 100241

IMPORTANT: The THERMOSTATIC CARTRIDGE, RETAINING NUT, and THREADED TUBE are packaged separately and provided with the VALVE. **SET ASIDE UNTIL FINAL TRIM INSTALLATION!**



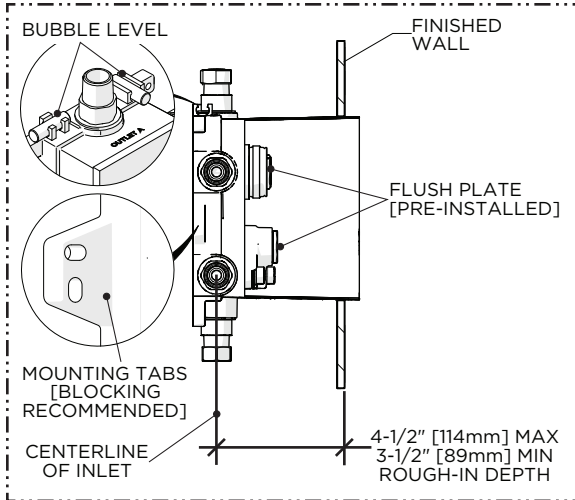
- ‡ SERVICE PART
- THERMOSTATIC CARTRIDGE KIT
STYLE No. 100219

WATERWORKS INSTALLATION GUIDELINES

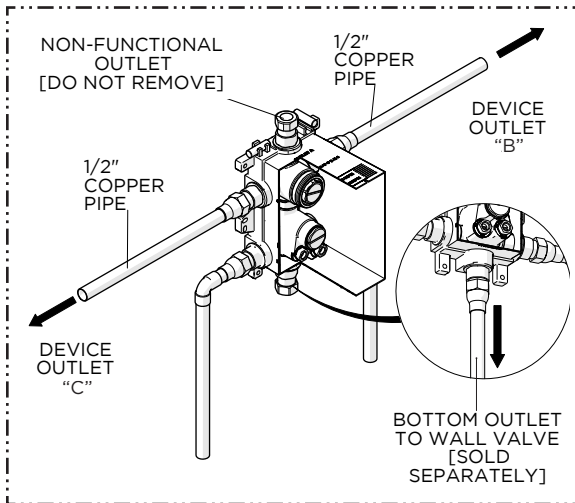


STYLE No. GUTH62, GU62TH

ViaWorks ViaBox™ 1/2" Integrated Thermostatic Valve with Two Way Diverter

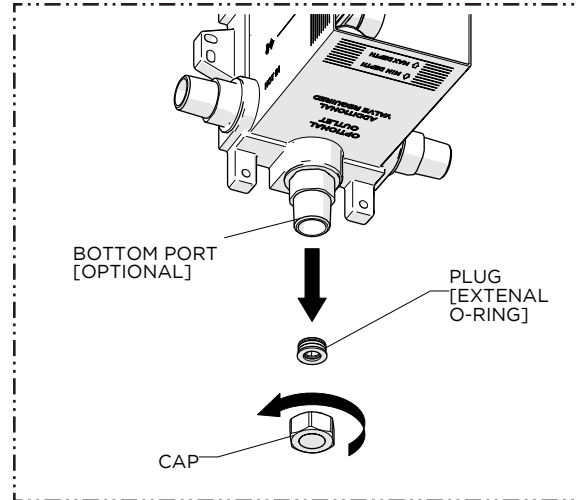


1. The rough-in depth is measured from the centerline of the inlets to the surface of the finished wall and must be between 4-1/2" [114mm] **MAXIMUM** and 3-1/2" [89mm] **MINIMUM**.

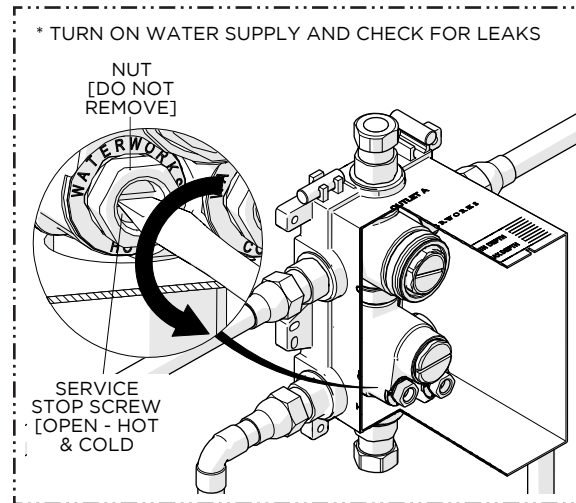


4. Run 1/2" copper lines from the DIVERTER VALVE outlets, and bottom outlet if used, to the desired end fittings (sold separately) making sure to secure all piping and fittings.

NOTE: The bottom port requires that a separate wall valve (sold separately) be installed.

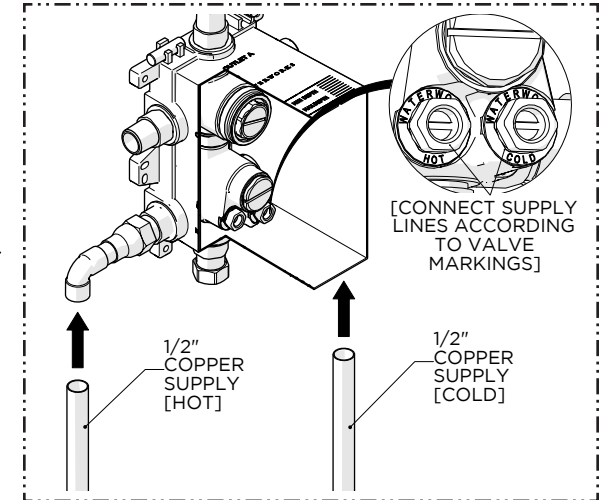


2. **OPTIONAL BOTTOM PORT**
 - 2a. If port **WILL BE** used to supply water to an additional fitting, remove the pre-installed CAP and PLUG or,
 - 2b. If port **WILL NOT BE** used, make sure the CAP is securely tightened.



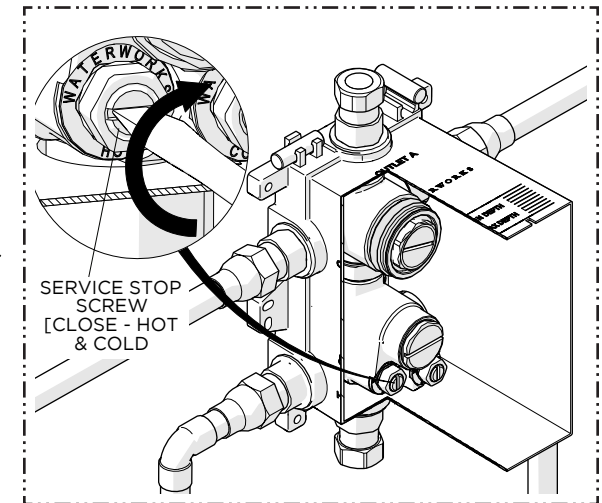
5. Turn on the water supplies then open the hot and cold SERVICE STOPS to flush out the lines and check for leaks.

CAUTION: FAILURE TO FLUSH THE SUPPLY LINES WILL PERMANENTLY DAMAGE THE CARTRIDGE AND VOID THE WARRANTY!



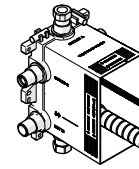
3. Run 1/2" copper supply lines to the proper height and depth of the VALVE INLETS making sure they are piped according to the VALVE markings and all piping and fittings are properly secured.

NOTE: Style No. **GU62TH** is provided with 5 BSSP ADAPTERS.



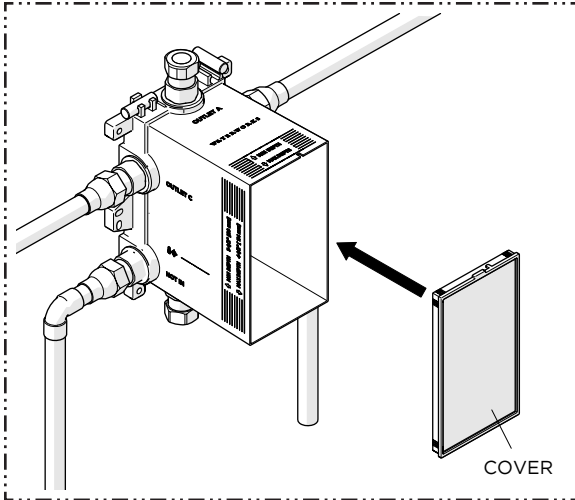
6. After the supply lines have been fully flushed, turn off the water and close both SERVICE STOPS.

WATERWORKS INSTALLATION GUIDELINES

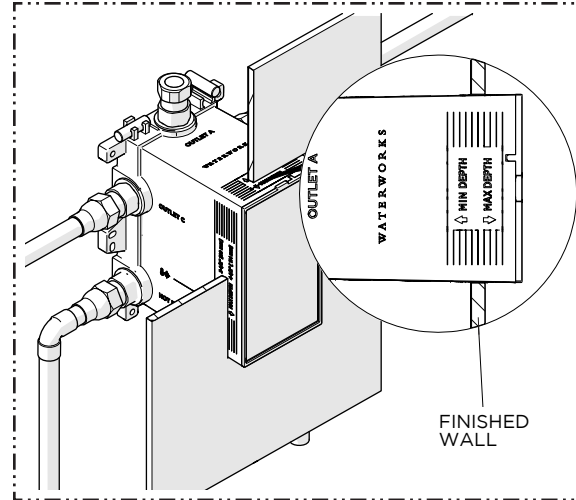
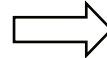


STYLE No. GUTH62, GU62TH

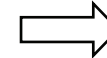
ViaWorks ViaBox™ 1/2" Integrated Thermostatic Valve with Two Way Diverter



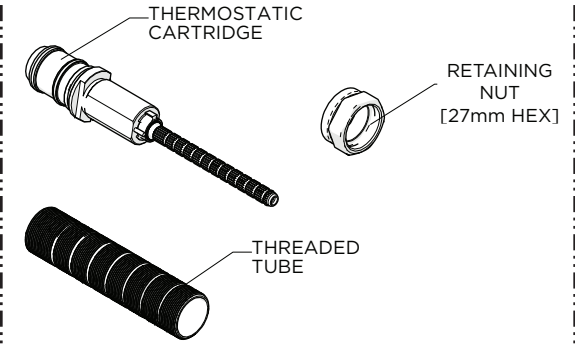
7. Firmly push the COVER into the ViaBox™ to protect the VALVE during construction.



8. Do **NOT** remove the COVER until final TRIM installation and ensure the finished wall is within the **MAXIMUM** and **MINIMUM** markings on the ViaBox™.

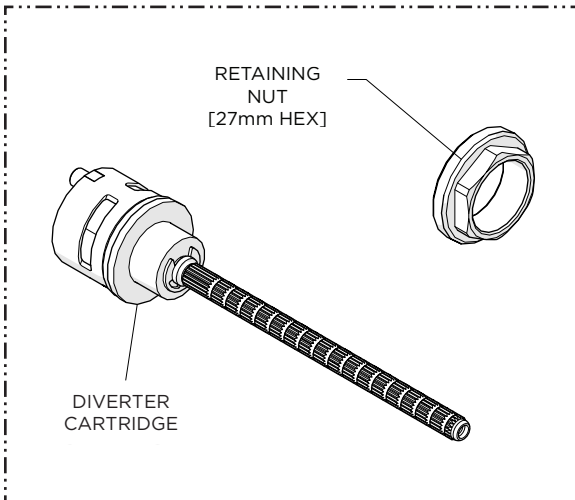


SET PARTS ASIDE UNTIL FINAL TRIM INSTALLATION!
FLUSH SUPPLY LINES AS NEEDED BEFORE INSTALLING THE THERMOSTATIC CARTRIDGE.



IMPORTANT

9. SET ASIDE THE THERMOSTATIC CARTRIDGE, RETAINING NUT, AND THREADED TUBE UNTIL FINAL TRIM INSTALLATION MAKING SURE TO REPEAT THE FLUSHING PROCESS AS NEEDED BEFORE INSTALLING THE CARTRIDGE.



10. SET ASIDE THE DIVERTER CARTRIDGE AND RETAINING NUT UNTIL FINAL TRIM INSTALLATION MAKING SURE TO REPEAT THE FLUSHING PROCESS AS NEEDED BEFORE INSTALLING THE CARTRIDGE.